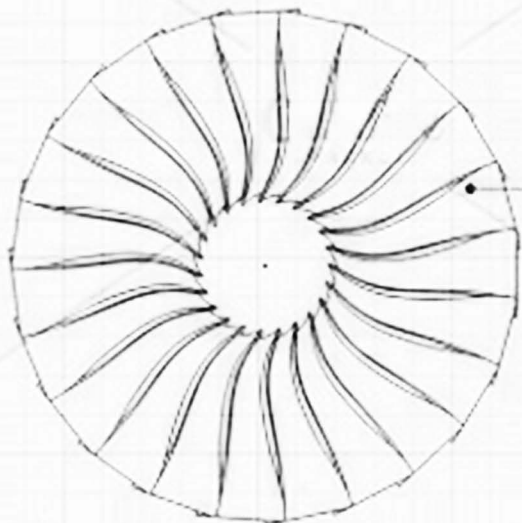
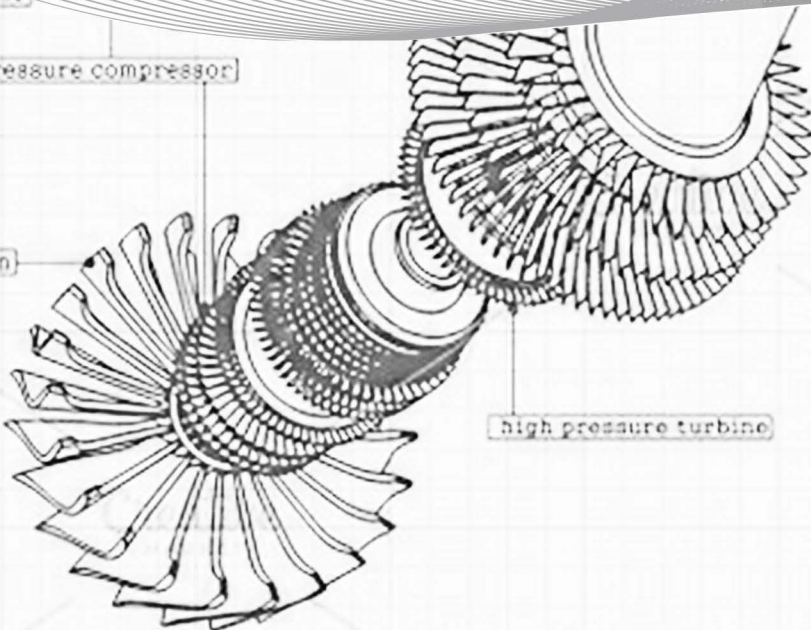


high pressure compressor

low pressure compressor



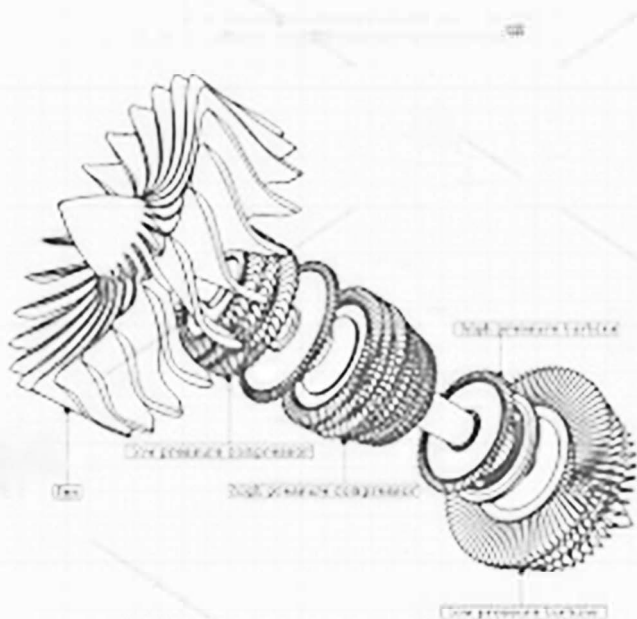
fan



high pressure turbine

MOD : WR-SFXL-03

Production code : BASIC XL 3



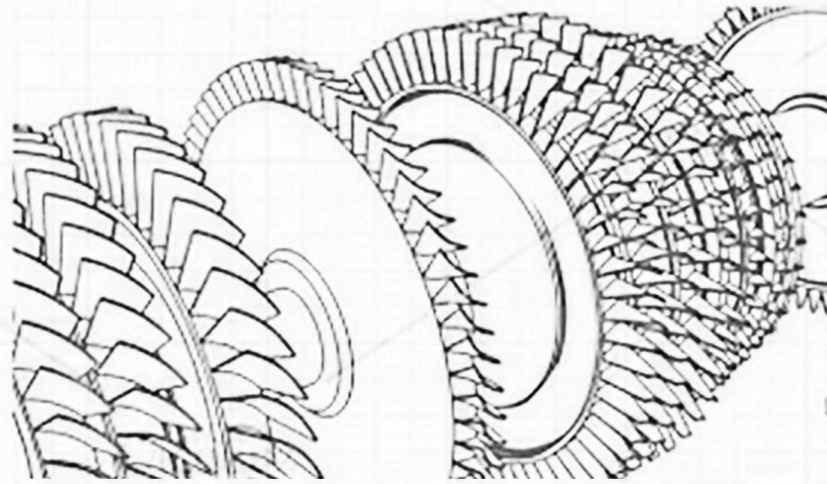
fan

low pressure compressor

high pressure compressor

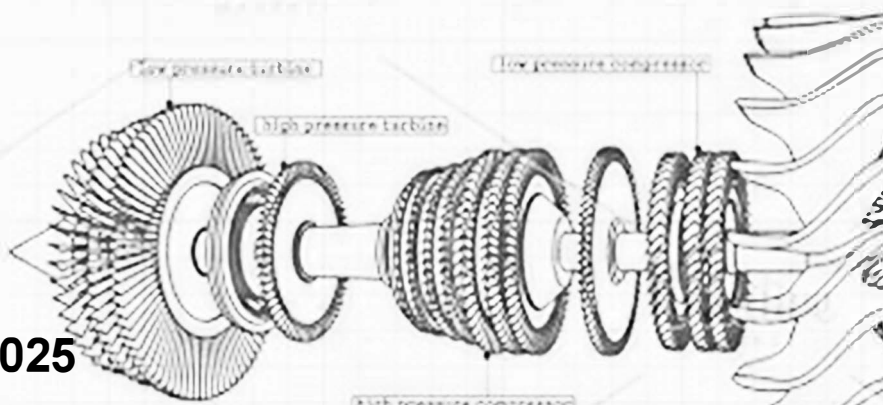
high pressure turbine

low pressure turbine



low pressure turbine

low pressure compressor



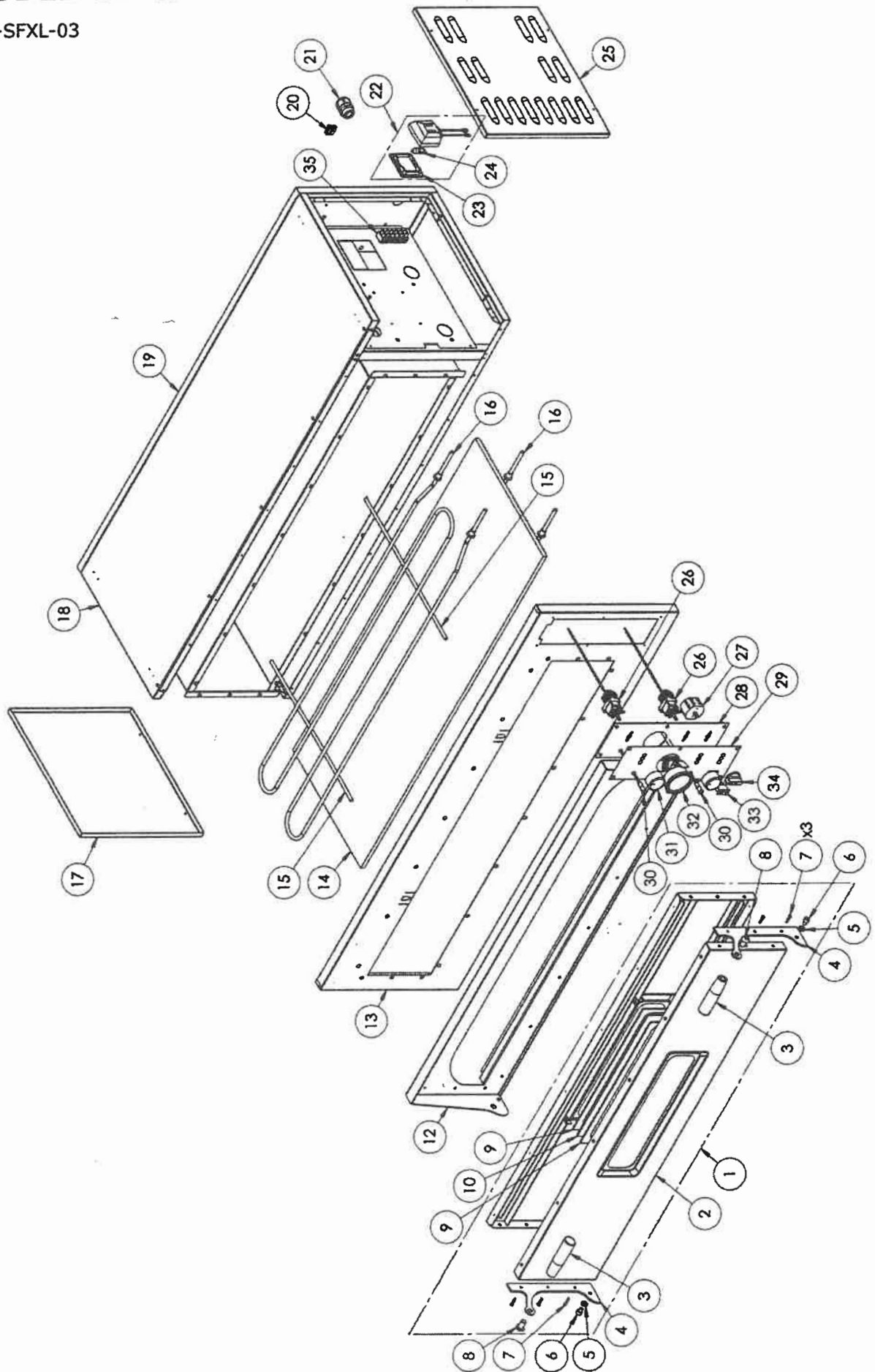
high pressure turbine

high pressure compressor

09/2025

EXPLODED VIEW

WR-SFXL-03



SPARE PARTS

Position	WR-SFXL-03	Description
1	7A010145	Complete door unit
2	4P050018	Door
3	5M200030	Door handle
4	4P100090	Backplate
5	3R030002	Door washer
6	5V500104	Door screw
7	5V500019	Screw
8	5V500046	Screw
9	5G100001	Glass door gasket
10	5V010015	Door glass
11	4C020028	Inner door
12	4T020005	Frame
13	4F020008	Front
14	5P050135	Refractory stone
15	4T060080	Iron rod
16	5R050425	Heating element
17	4P040041	Left side panel
18	4C030015	Oven top
19	4S030244	Oven back
20	5M100120	Grounding terminal
21	5P100003	Cable gland
22	7P010200	Complete lamp holder unit
23	5V010003	Lamp holder glass
24	5L020008	Light bulb
25	4P040040	Right side panel
26	5T010001	Thermostat
27	5I100022	Main switch
28	4M020031	Control panel
29	5E258407	Label
30	5L020017	Heating elements indicator light
31	5M200003	Thermostat knob
32	5T010200	Thermometer
33	5I100017	Light switch
34	5M200008	Main switch knob
35	5M100010	Terminal block