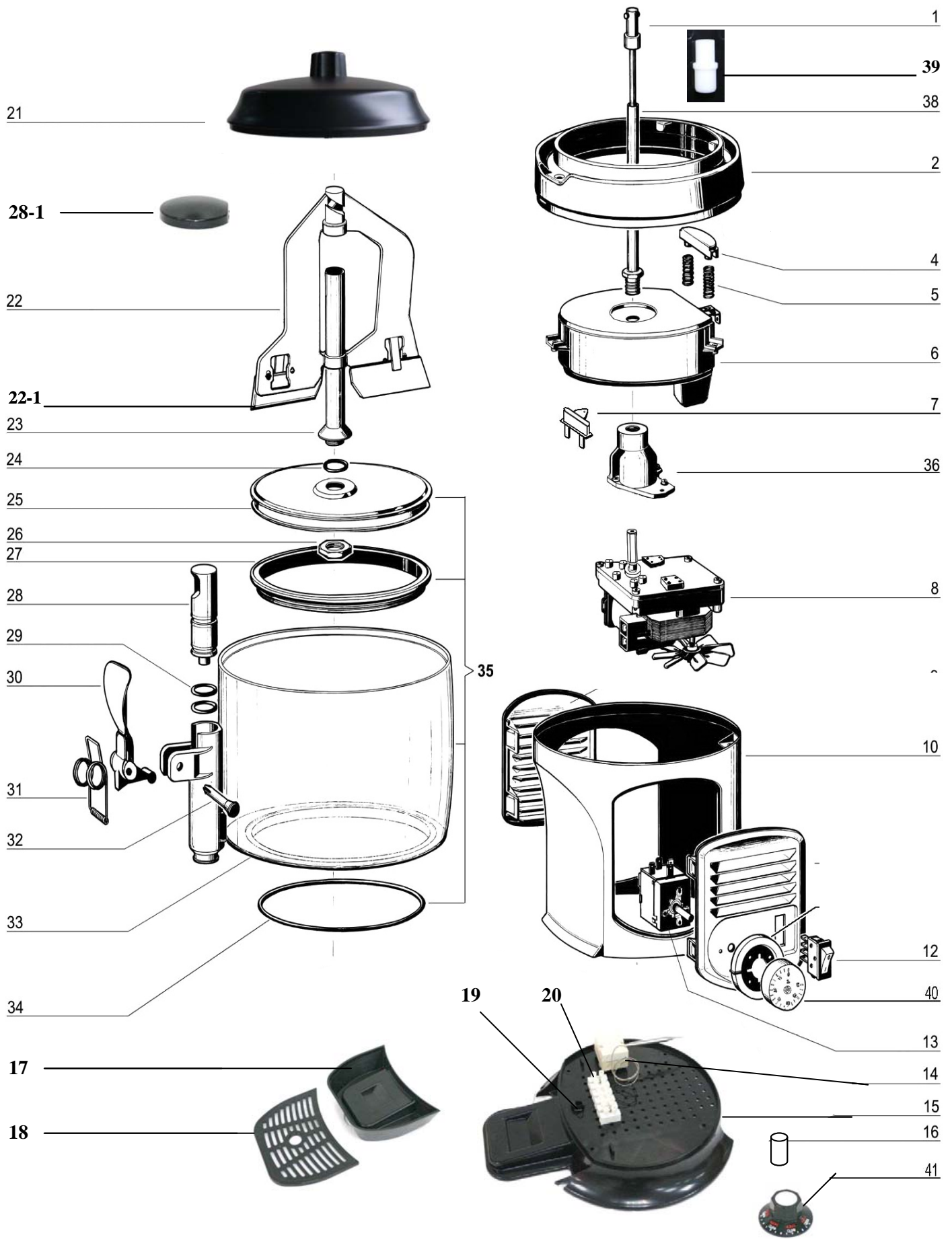


175-1145 Schokoladendispenser NINA





SPARE PARTS NAME

Fig. No.	Spare parts Name	
1	Driving shaft	
2	Heating plate holder	
4	Thermostat bulb holder	
5	Spring for bulb holder	
6	230V 50Hz Heating plate	
7	Limit switch	
8	230V 50Hz complete gear motor	
10	Cabinate	
12	Switch	
13	0-90°C thermostat	
14	0-120°C thermostat	
15	Base	
16	Rubber leg	
17	Drip tray cover	
18	Drip tray	
19	Strain Relief	
20	Terminal block	
21	PP lid S/S lid	
22	Plastic Mixer	
22-1	Plastic mixer base	
23	Bowl shaft	
24	Bowl shaft O-ring	
25	Bowl steel plate	
26	Central shaft nut	
27	Bowl gasket	
28	Faucet piston	
28-1	Plastic lid covered on the top of faucet	
29	Faucet piston O-ring	
30	Faucet handle	
31	Faucet spring	
32	Faucet handle pin	
33	PC Bowl only	
34	Bowl O-ring	
23-27 +	PC bowl without faucet	

33-34		
35	PC Bowl with faucet (No.23-34)	
36	Gear motor flange	
38	Central shaft	
39	Teflon Tube	
40	Thermostat Knob	
41	Thermostat knob on base	

PC bowl difference type

Fig, No.35: PC bowl with plate & faucet



Fig. No. 23-27 + 33-34: PC bowl with plate without faucet



Fig. 33 PC bowl only



P/N No.: 23-27



Dimensions: 32cm (length) X 26cm (Width) X 50cm (Height)
Unit Weight: 6.50 Kgs

