

# CombiSteel

**7534.0015**

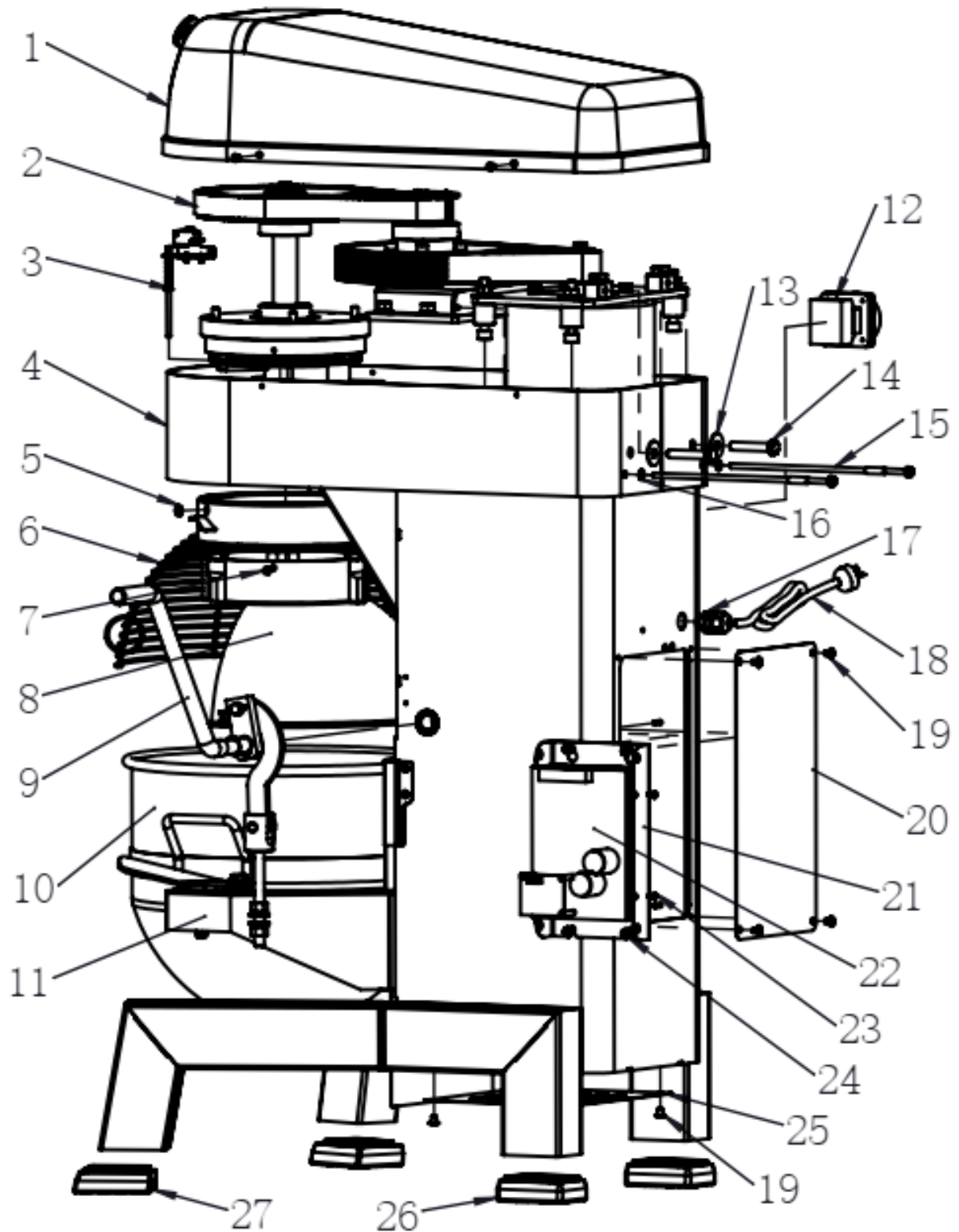
**v1.0**

Onderdelen informatie  
Erzatzteil information  
Spare part information  
Information de pièces

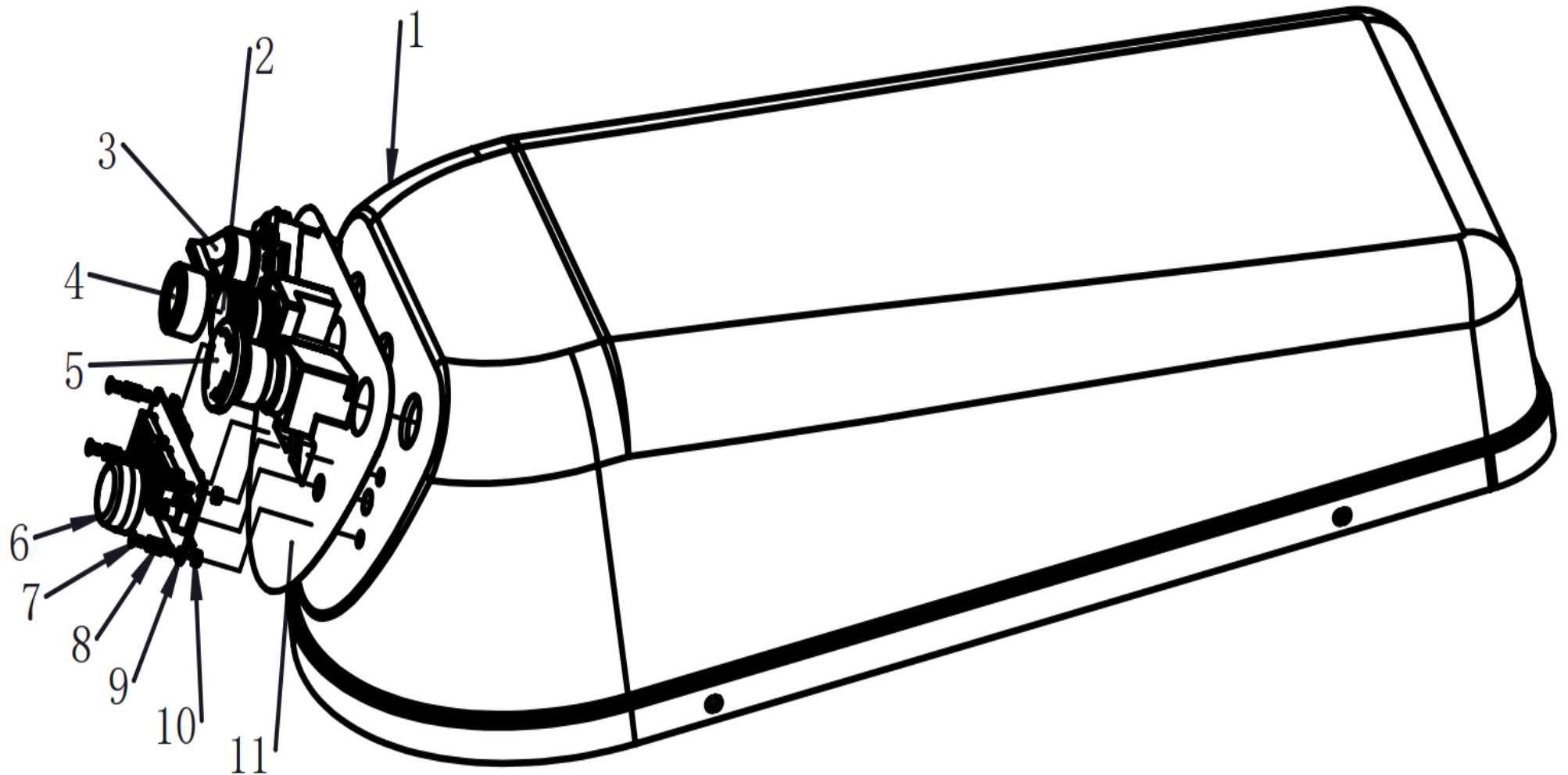




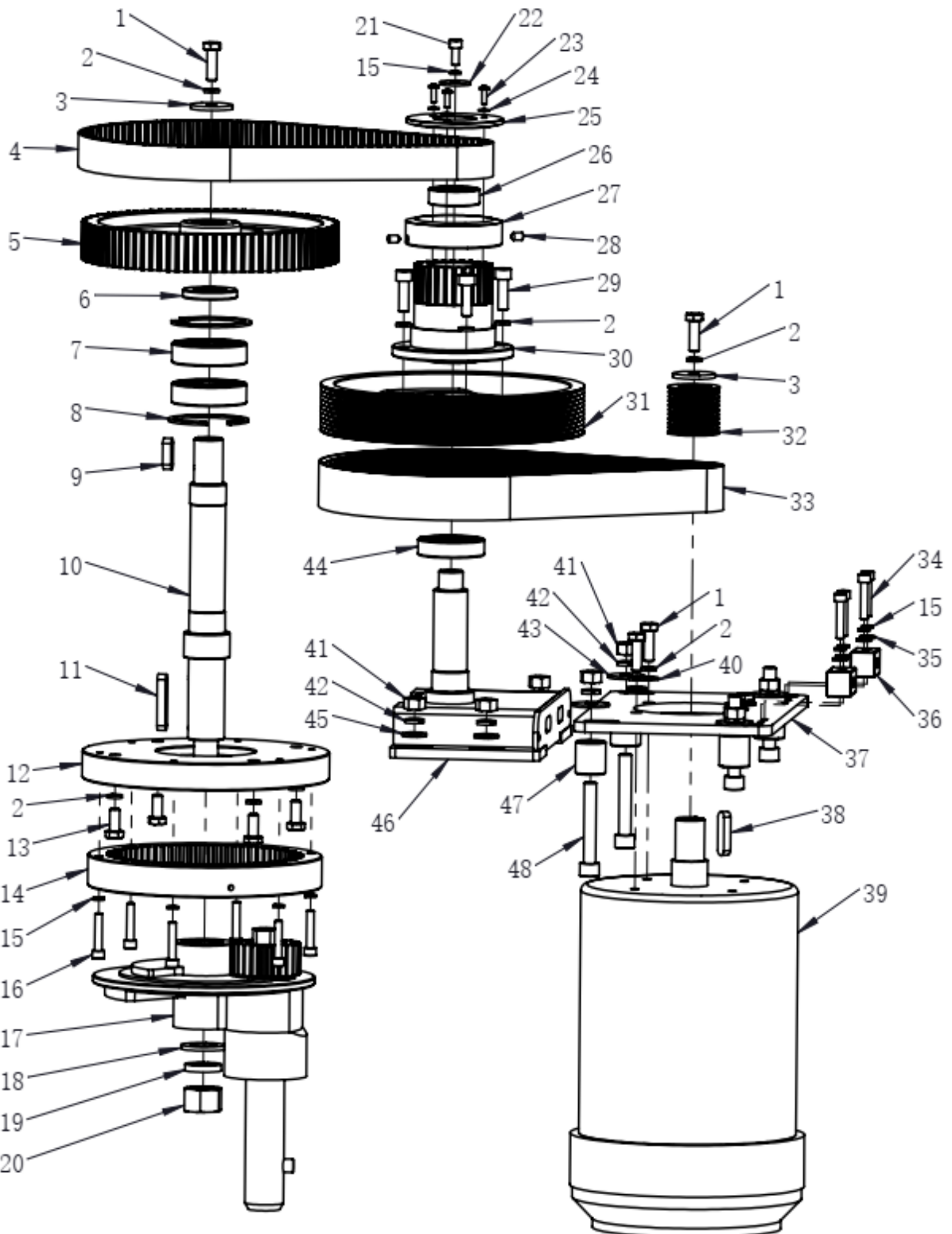
Drawing: 1



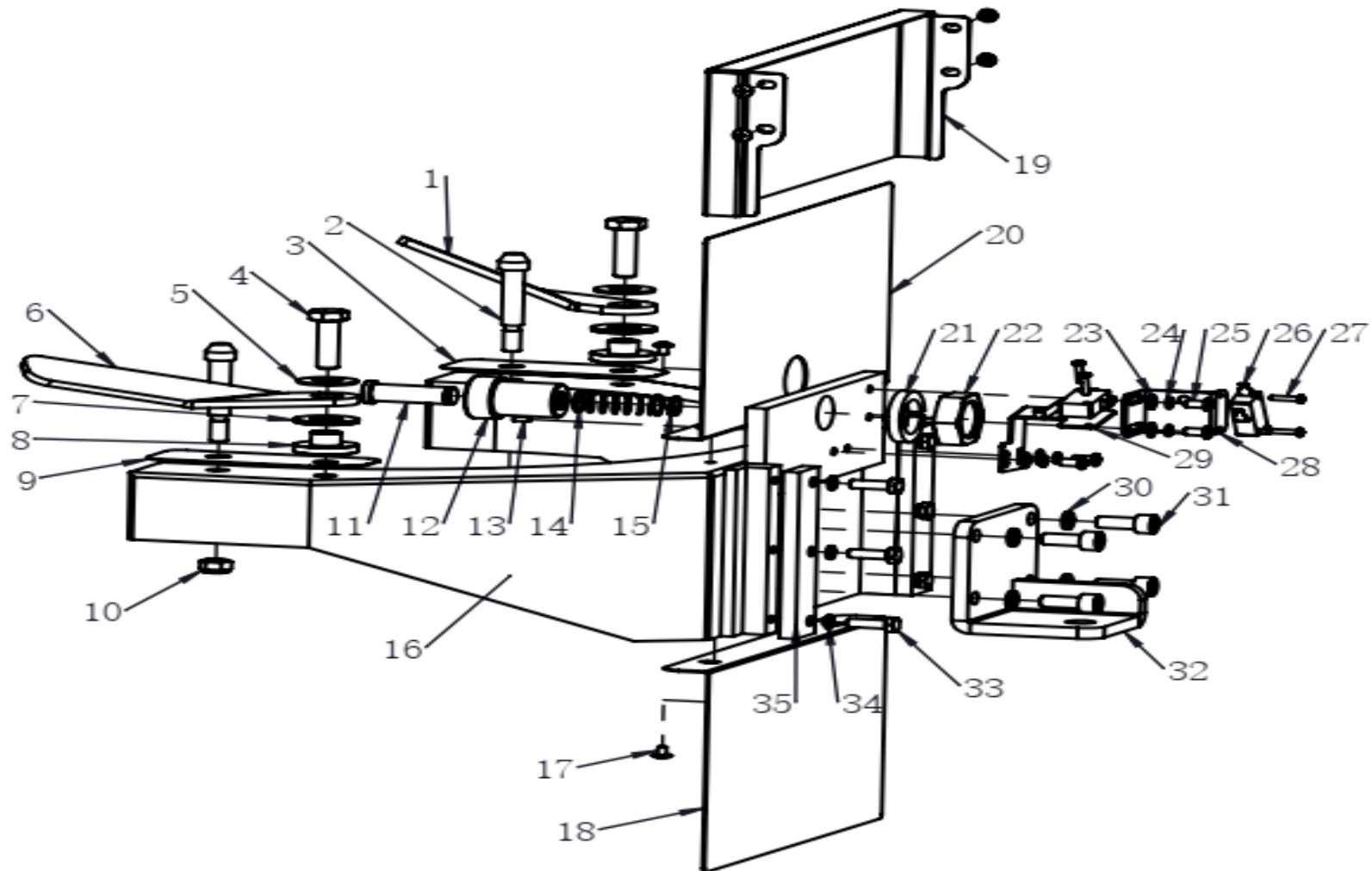
Drawing: 2



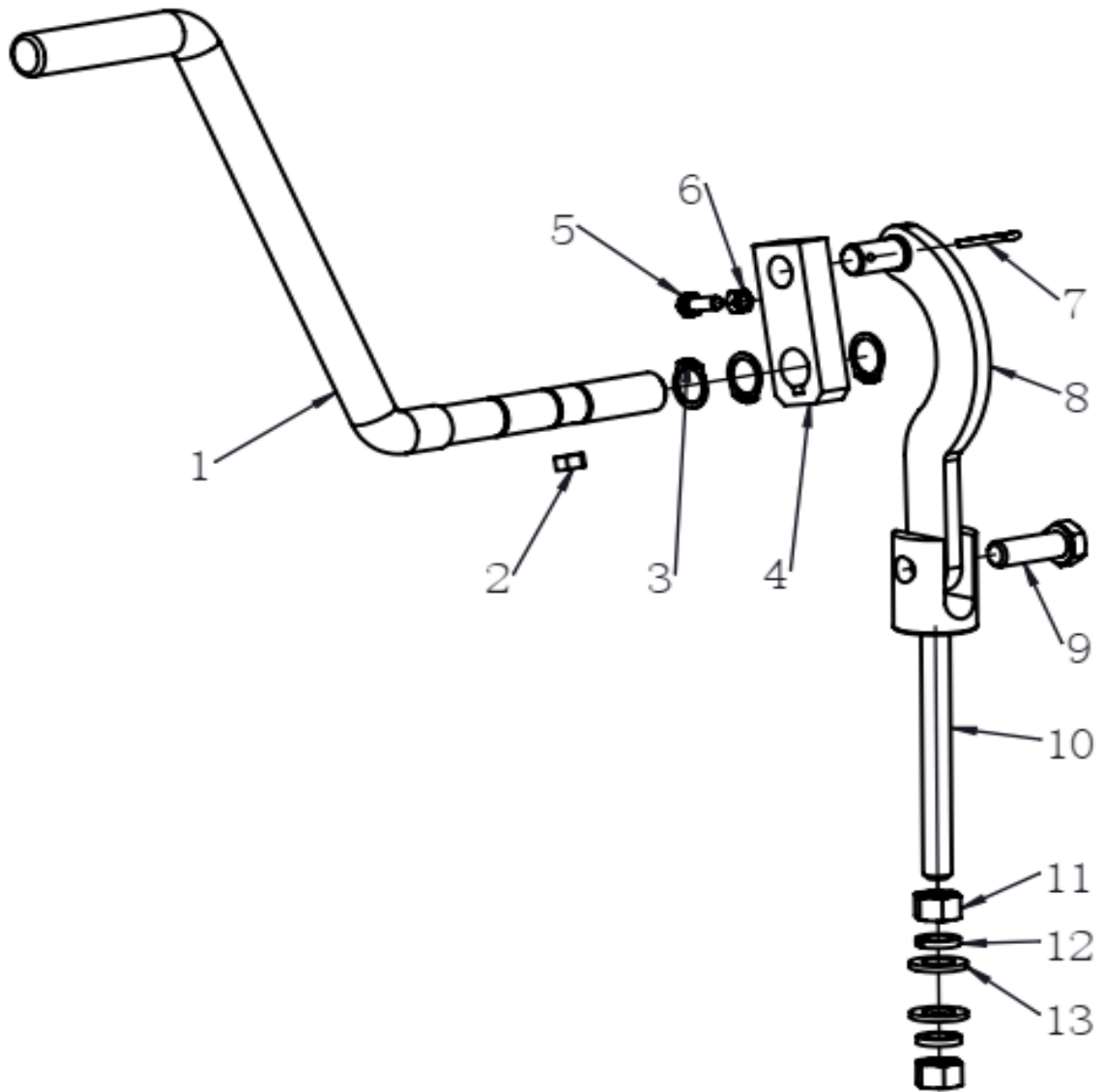
Drawing: 3



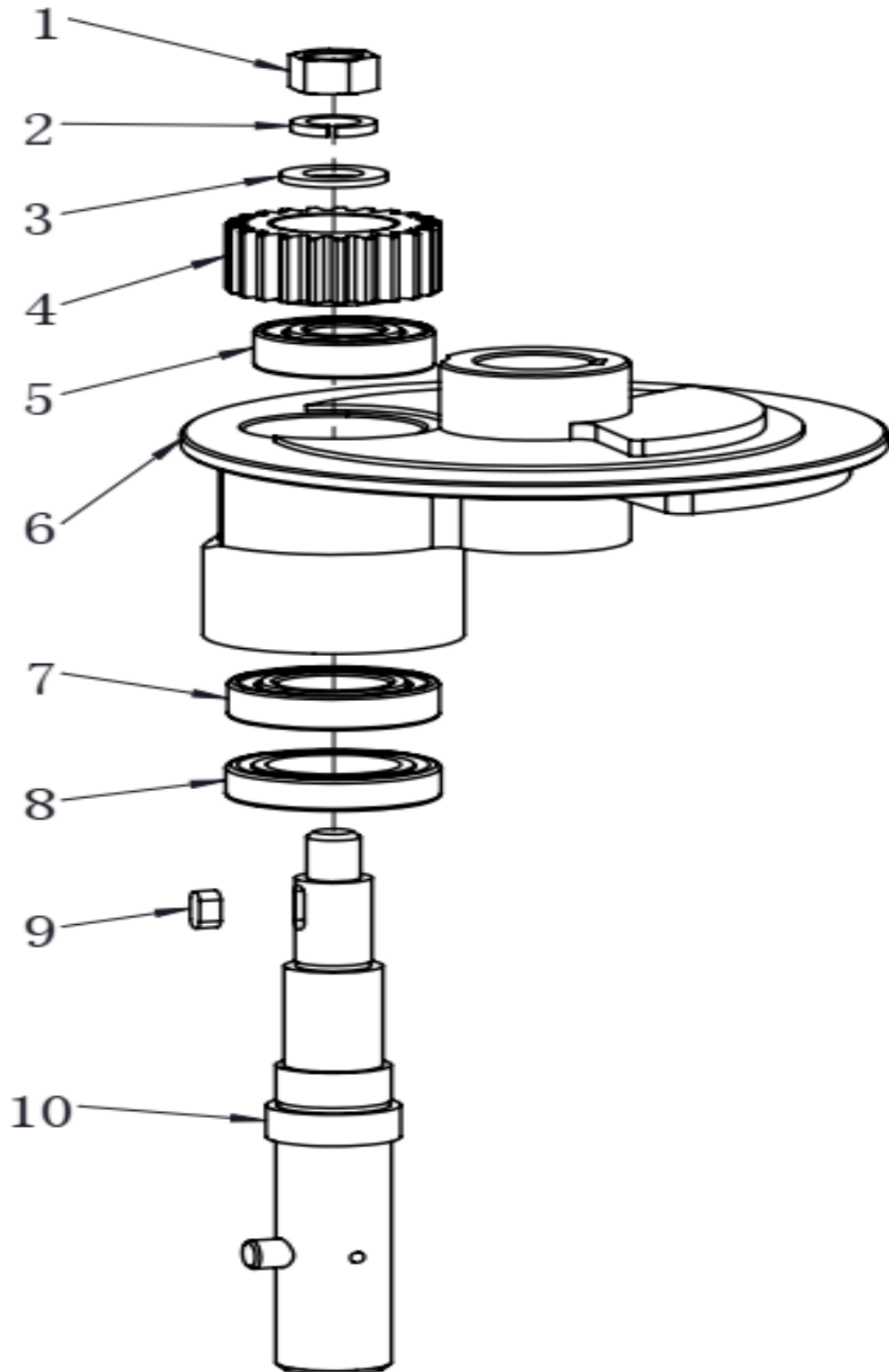
Drawing: 4



Drawing: 5

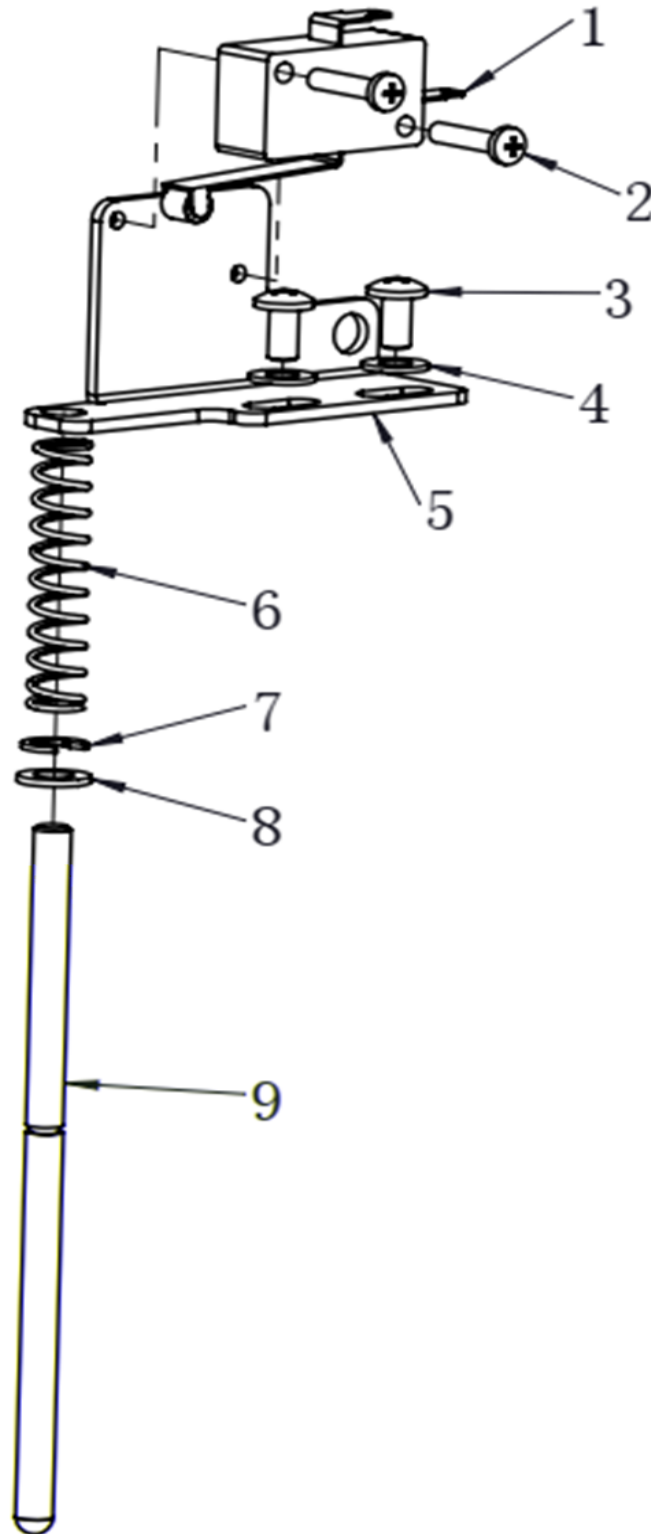


Drawing: 6

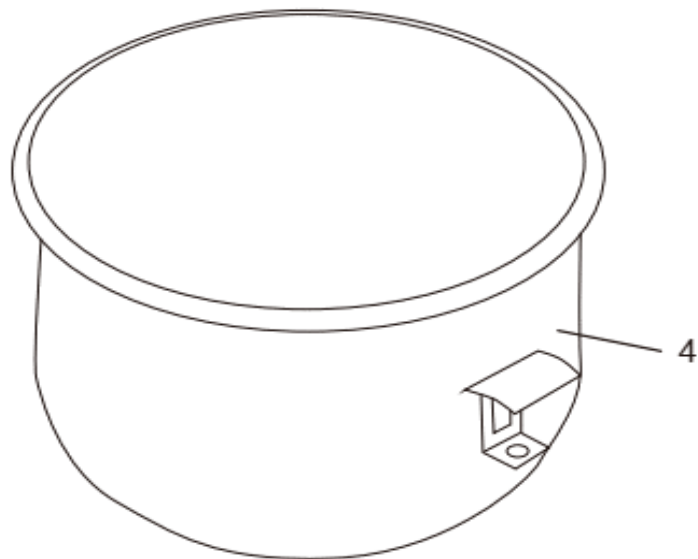
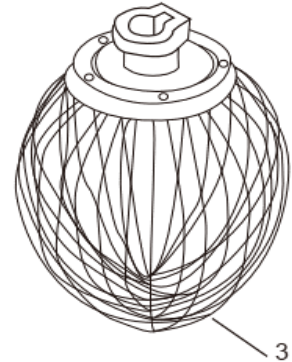
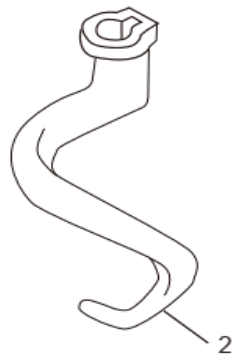
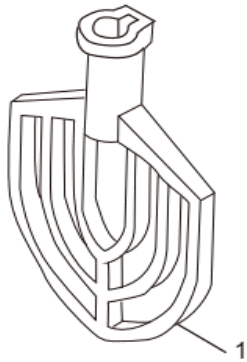




Drawing: 7



Drawing: 9





## Onderdelenlijst 7534.0015

| POS: | Art.No.: | Omschrijving:            | Aantal: |
|------|----------|--------------------------|---------|
| 1-1  |          | Top cover                |         |
| 1-2  |          | Belt                     |         |
| 1-3  |          | Micro-switch             |         |
| 1-4  |          | Body                     |         |
| 1-5  |          | Rubber plug              |         |
| 1-6  |          | Safety net (move)        |         |
| 1-7  |          | Screw M5*10              |         |
| 1-8  |          | safety net (fixed)       |         |
| 1-9  |          | Handle                   |         |
| 1-10 |          | Bowl                     |         |
| 1-11 |          | Arm                      |         |
| 1-12 |          | switch GLD11-25-04       |         |
| 1-13 |          | Gasket M10.5*30*2        |         |
| 1-14 |          | Screw M10*55             |         |
| 1-15 |          | Screw                    |         |
| 1-16 |          | Gasketφ 6                |         |
| 1-17 |          | cabl fixing head M20*1.5 |         |
| 1-18 |          | Cable                    |         |
| 1-19 |          | screw M4*8               |         |
| 1-20 |          | Rear cover               |         |
| 1-21 |          | Board                    |         |
| 1-22 |          | Frequency driver         |         |
| 1-23 |          | Screw M4*8               |         |
| 1-24 |          | Nut M5                   |         |
| 1-25 |          | Board                    |         |
| 1-26 |          | Rear feet pad            |         |
| 1-27 |          | Front feet pad           |         |
| 2-2  |          | Start Switch             |         |
| 2-3  |          | Mix tool selector Switch |         |
| 2-4  |          | Rubber Boots             |         |
| 2-5  |          | Emergency switch         |         |
| 2-6  |          | changer speed switch     |         |
| 2-7  |          | Screw M3*6               |         |
| 2-8  |          | Single end studs M3*8+10 |         |
| 2-9  |          | Control Panel            |         |
| 2-10 |          | Nut M3                   |         |
| 2-11 |          | panel sticker            |         |
| 3-1  |          | Screw M8*25              |         |
| 3-2  |          | Spring gasket            |         |
| 3-3  |          | Gasket 35*8.5*3          |         |
| 3-4  |          | Belt 880*27              |         |
| 3-5  |          | Belt wheel 8m84z         |         |
| 3-6  |          | Shaft spacer             |         |



## Onderdelenlijst 7534.0015

| POS: | Art.No.: | Omschrijving:           | Aantal: |
|------|----------|-------------------------|---------|
| 3-7  |          | Bearing 6206            |         |
| 3-8  |          | Ring $\phi$ 62*2        |         |
| 3-9  |          | Key A 8*7*25            |         |
| 3-10 |          | Center axle             |         |
| 3-11 |          | Key A 8*7*45            |         |
| 3-12 |          | Gear ring cover         |         |
| 3-13 |          | Screw M8*18             |         |
| 3-14 |          | Inner gear              |         |
| 3-15 |          | Spring gasket $\phi$ 6  |         |
| 3-16 |          | Screw M6*30             |         |
| 3-17 |          | Turning plate           |         |
| 3-18 |          | Gasket $\phi$ 20        |         |
| 3-19 |          | Spring gasket $\phi$ 20 |         |
| 3-20 |          | Screw M6*30             |         |
| 3-21 |          | Screw M6*14             |         |
| 3-22 |          | Upper gasket 6.5*25*2   |         |
| 3-23 |          | Screw M4*12             |         |
| 3-24 |          | Gasket $\phi$ 4         |         |
| 3-25 |          | Ring                    |         |
| 3-26 |          | Bearing 6004            |         |
| 3-27 |          | Ring                    |         |
| 3-28 |          | Screw M6*10             |         |
| 3-29 |          | Screw M8*25             |         |
| 3-30 |          | Belt wheel 8M26Z        |         |
| 3-31 |          | Belt wheel 219Z10       |         |
| 3-32 |          | Belt wheel 43Z10        |         |
| 3-33 |          | Belt PK835-z10          |         |
| 3-34 |          | Screw M6*30             |         |
| 3-35 |          | Gasket $\phi$ 6         |         |
| 3-36 |          | Motor tension block     |         |
| 3-37 |          | Motor's board           |         |
| 3-38 |          | Key 8*7*35              |         |
| 3-39 |          | Motor                   |         |
| 3-40 |          | Gasket $\phi$ 8         |         |
| 3-41 |          | Nut M10                 |         |
| 3-42 |          | Spring gasket $\phi$ 10 |         |
| 3-43 |          | Gasket M10*30*2         |         |
| 3-44 |          | Bearing 6006            |         |
| 3-45 |          | Gasket $\phi$ 10        |         |
| 3-46 |          | Shaft                   |         |
| 3-47 |          | Motor sleeve            |         |
| 3-48 |          | Screw M10*65            |         |
| 4-1  |          | Bowl board left         |         |



## Onderdelenlijst 7534.0015

| POS: | Art.No.: | Omschrijving:                | Aantal: |
|------|----------|------------------------------|---------|
| 4-2  |          | Bowl screw                   |         |
| 4-3  |          | Bowl gasket left             |         |
| 4-4  |          | Screw M10*35                 |         |
| 4-5  |          | Gasket 28*14.2*1.5           |         |
| 4-6  |          | Bowl board right             |         |
| 4-7  |          | Bowl gasket right            |         |
| 4-8  |          | Bowl board cover             |         |
| 4-9  |          | Bowl gasket left             |         |
| 4-10 |          | Nut M8                       |         |
| 4-11 |          | Frame                        |         |
| 4-12 |          | Bowl position cover          |         |
| 4-13 |          | Cylinder pin 3*8             |         |
| 4-14 |          | Bowl position spring 15*1*40 |         |
| 4-15 |          | Ring 12x1                    |         |
| 4-16 |          | Arm                          |         |
| 4-17 |          | Screw M4*6                   |         |
| 4-18 |          | Arm's lower board            |         |
| 4-19 |          | Board                        |         |
| 4-20 |          | Arm's upper board            |         |
| 4-21 |          | Gasket $\phi$ 24             |         |
| 4-22 |          | Nut M24*1.5                  |         |
| 4-23 |          | Gasket $\phi$ 5              |         |
| 4-24 |          | Spring Gasket $\phi$ 5       |         |
| 4-25 |          | Screw M5*10                  |         |
| 4-26 |          | Travel switch XV-156-1C25    |         |
| 4-27 |          | Screw M3*14                  |         |
| 4-28 |          | Travel switch bracket        |         |
| 4-29 |          | Bowl bracket                 |         |
| 4-30 |          | Gasket $\phi$ 8              |         |
| 4-31 |          | Screw M8*20                  |         |
| 4-32 |          | Board                        |         |
| 4-33 |          | Screw M6*20                  |         |
| 4-34 |          | Gasket 6                     |         |
| 4-35 |          | Flat clamp                   |         |
| 5-1  |          | Handle                       |         |
| 5-2  |          | Key A 6*6*14                 |         |
| 5-3  |          | Stop ring $\phi$ 18*1        |         |
| 5-4  |          | Handlebar Crank Wheel        |         |
| 5-5  |          | Screw M6*16                  |         |
| 5-6  |          | Nut M6                       |         |
| 5-7  |          | Pin 3*20                     |         |
| 5-8  |          | handlebar pull               |         |
| 5-9  |          | Nut M12*35                   |         |



## Onderdelenlijst 7534.0015

| POS: | Art.No.:    | Omschrijving:             | Aantal: |
|------|-------------|---------------------------|---------|
| 5-10 |             | Handle Hanging Shaft      |         |
| 5-11 |             | Nut M12                   |         |
| 5-12 |             | Gasket $\phi$ 12          |         |
| 5-13 |             | Gasket $\phi$ 12          |         |
| 6-1  |             | Travel switch XV-156-1C25 |         |
| 6-2  |             | Screw M3*14               |         |
| 6-3  |             | Screw M4*8                |         |
| 6-4  |             | Gasket $\phi$ 4           |         |
| 6-5  |             | Bowlswitch frame          |         |
| 6-6  |             | Spring 8*1*40             |         |
| 6-7  |             | Split washer 4            |         |
| 6-8  |             | Gasket $\phi$ 5           |         |
| 6-9  |             | Crown bar                 |         |
| 7-1  |             | Nut M14                   |         |
| 7-2  |             | Spring gasket $\phi$ 14   |         |
| 7-3  |             | Gasket $\phi$ 14          |         |
| 7-4  |             | Planetary gear            |         |
| 7-5  |             | Bearing 6204              |         |
| 7-6  |             | Turning plate             |         |
| 7-7  |             | Bearing 6006              |         |
| 7-8  |             | Oil seal 35*56*12         |         |
| 7-9  |             | Key A 6*6*14              |         |
| 7-10 |             | Mixing axle               |         |
| 9-1  | CS7534.9050 | BEATER                    |         |
| 9-2  | CS7534.9070 | HOOK                      |         |
| 9-3  | CS7534.9030 | WHISK                     |         |
| 9-4  | CS7534.9010 | BOWL                      |         |