

# ecofrost

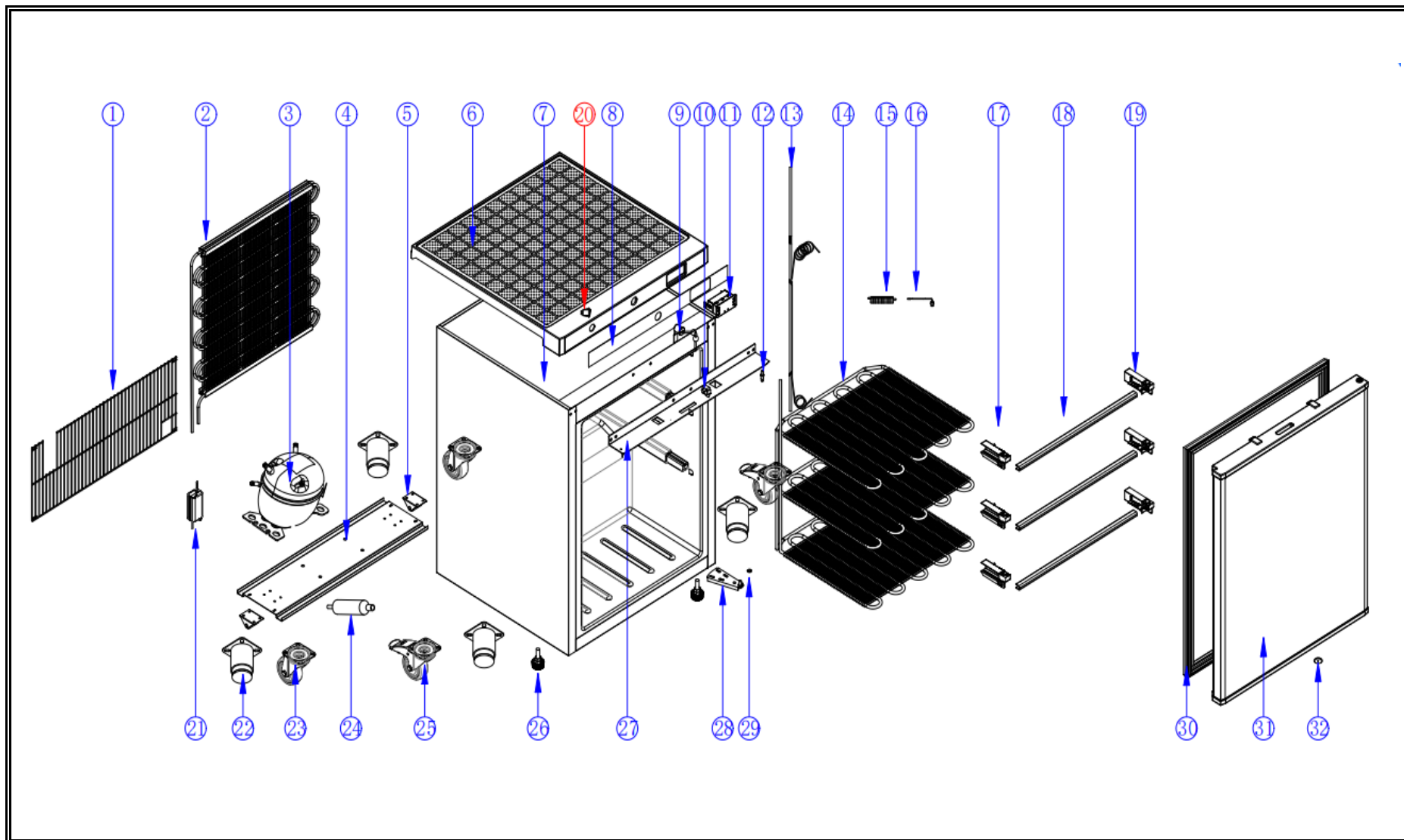
**7063.0075**

**v1.0**

Onderdelen informatie  
Erzatzteil information  
Spare part information  
Information de pièces







<b>POS:</b>	<b>Art.No.:</b>	<b>Omschrijving:</b>	<b>Aantal:</b>
1		Engine room grid	1
2		Condenser	1
3		Compressor	1
4		Bottom plate of compressor	1
5		Rollers	2
6		Top panel	1
7		/	1
8	CS9338.8034	Control panel label	1
9	CS9338.8008	Lock with 2 keys	1
10	CS9338.8002	Door switch	1
11	CS9338.8064	Thermostat DT-02	1
12	CS9338.8026	Hinge axis/pivot	1
13		Sunction tube set	1
14		Freezer evaporator	1
15		Probe fixing cover	1
16	CS9338.8014	Senser/Probe/Thermistor	1
17		Evaporator holder left	3
18		Evaporator decorative strips	3
19		Evaporator holder right	3
20	CS9338.8012	Main switch	1
21	CS9338.8036	Switching power supply	1
22		201# SS feet	4
23		Big castor(without brake)	2
24		Dry filter	1
25		Big castor(with brake)	2
26	CS9338.8006	Feet	2
27		Top bracket	1
28		Down hinge	1
29	CS9338.8022	Nylon washer	1
30	CS9338.8010	Door gasket	1
31		Foamed door-SS	1
31		Foamed door- white PCM	1
32	CS9338.8028	Foaming hole cover for door	1



The logo for ecofrost features the word "ecofrost" in a bold, blue, sans-serif font. Above the letter "o" in "eco" is a stylized graphic consisting of a light blue arc and a dark blue four-pointed starburst.

**ecofrost**

**7063.0075**

## **Combisteel BV**

Lightschip 63  
3991CP Houten  
The Netherlands

+31 (0)30 285 00 90  
[info@combisteel.com](mailto:info@combisteel.com)  
[www.combisteel.com](http://www.combisteel.com)