

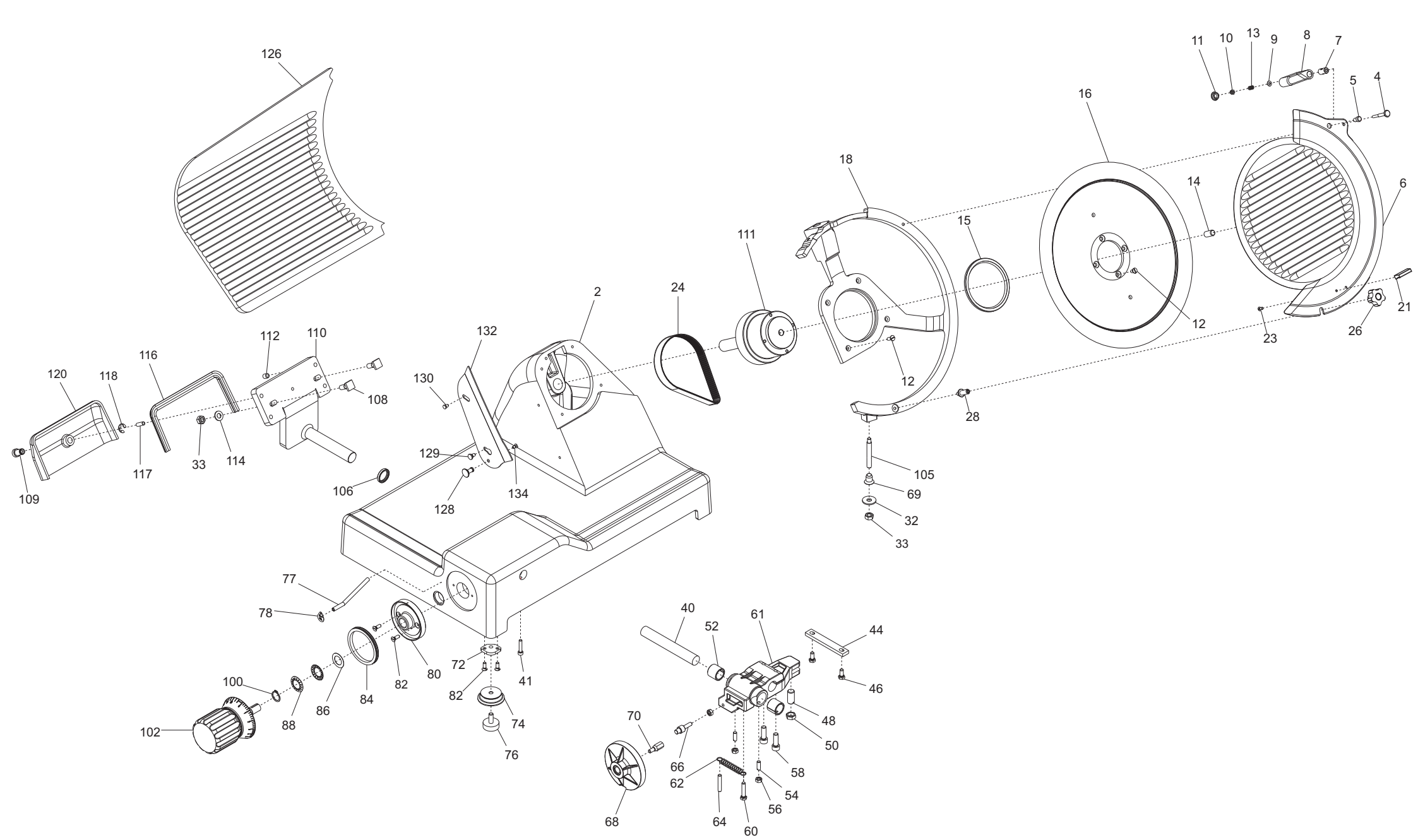
01/2019

Mod: 350/MKD-C

Production code: 15359002S



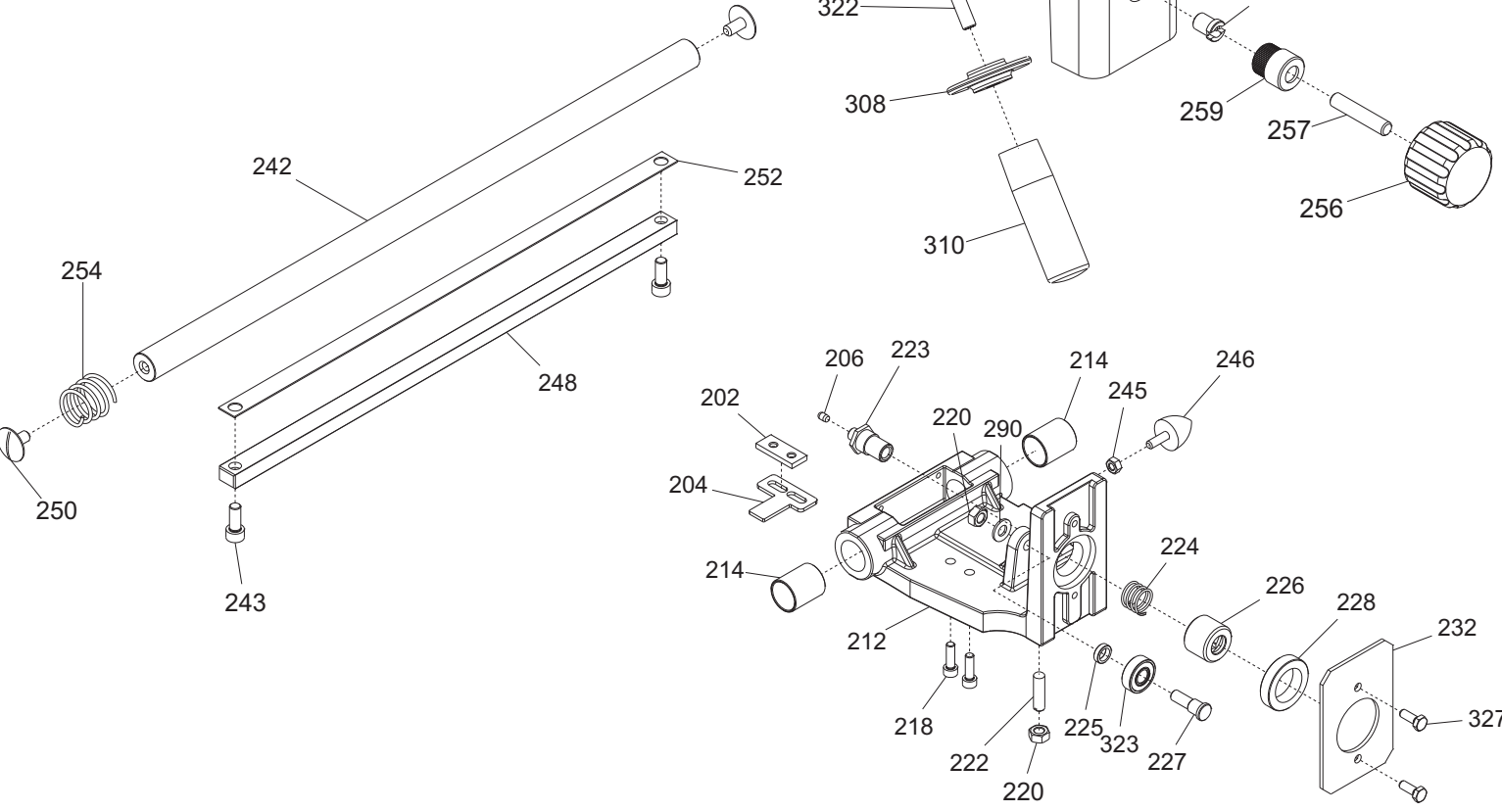
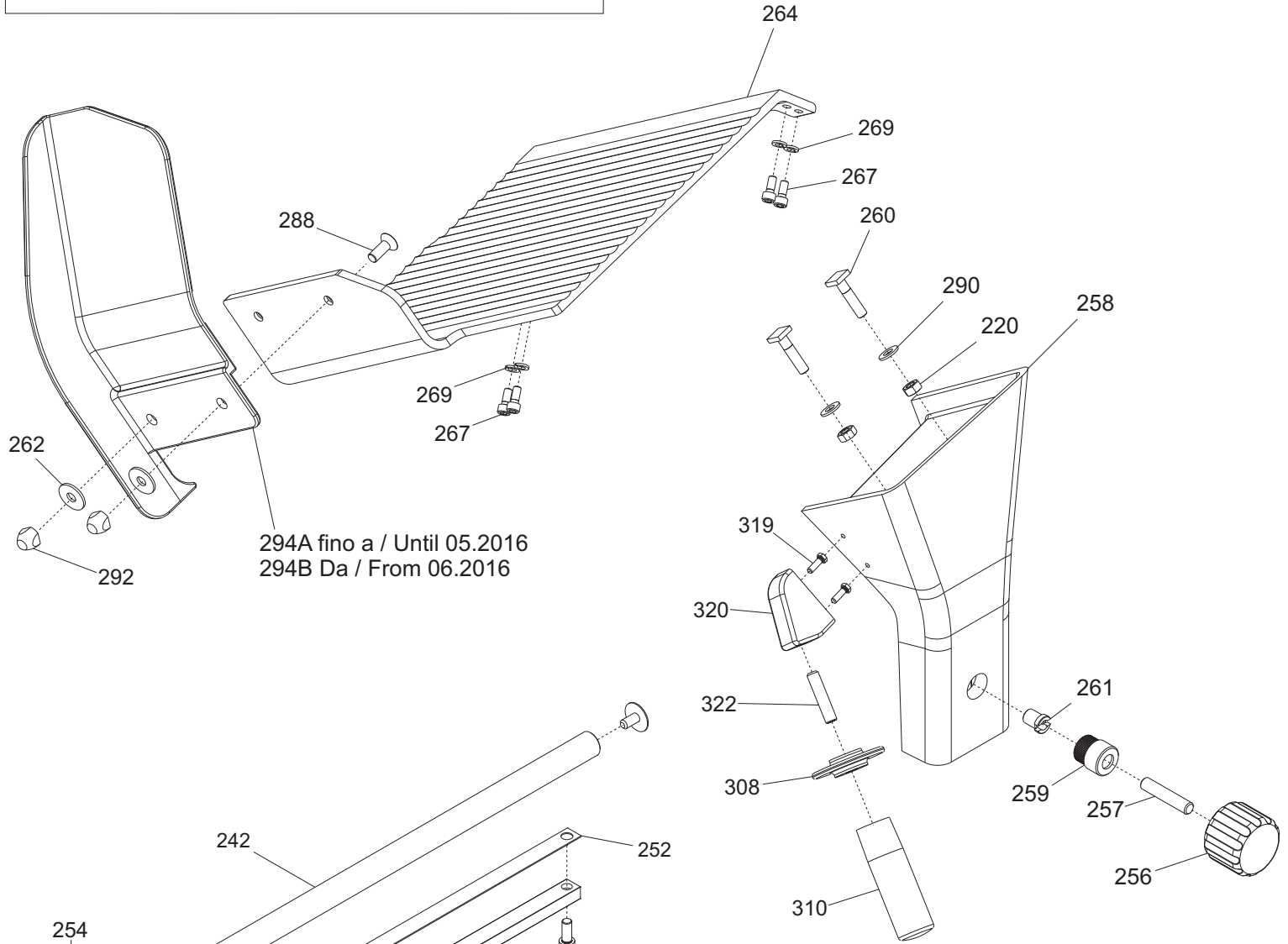
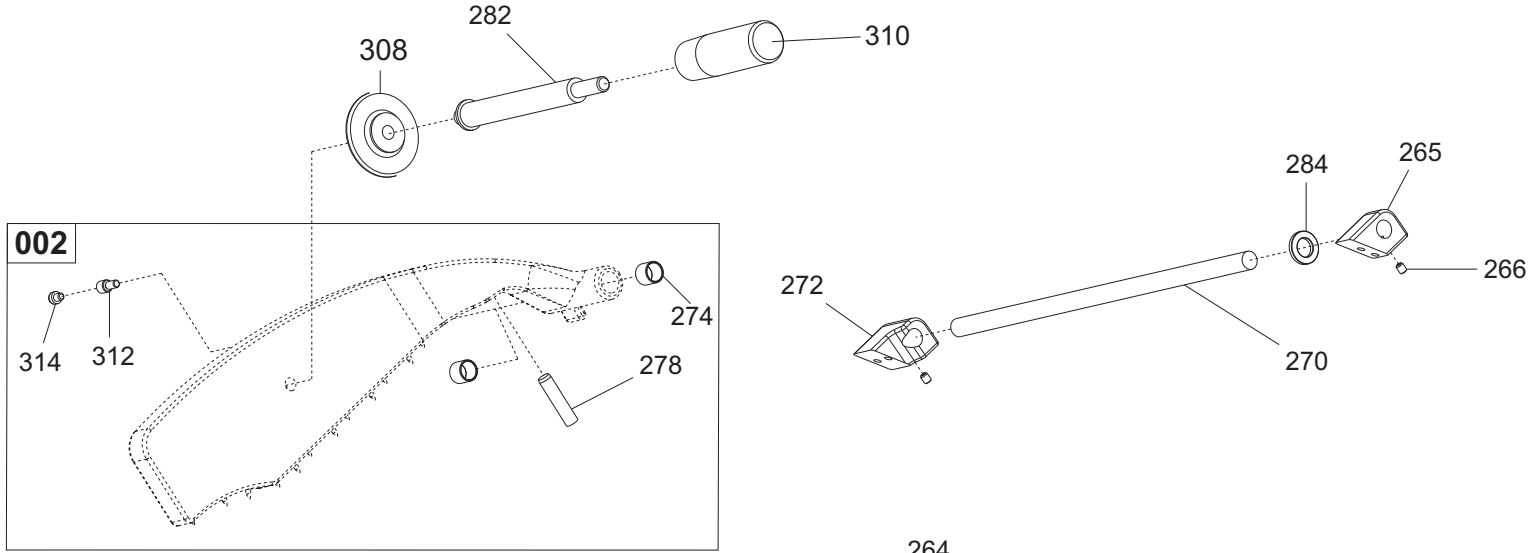
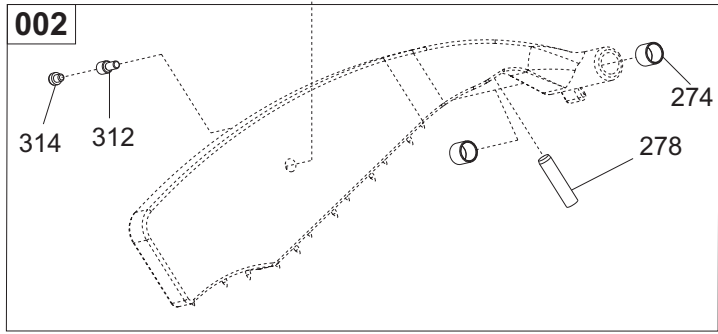
Diamond
catering equipment



Electronic switch RAFFAELLO 350 EVO TOP CE			
Ref.	Product name	Code	Q
610	MASCH.ALLUM.PULSANT.SU CASSA ST.H.	19529364	1
612	S/S OFF BUTTON RESIN-COATED Y12 UL	19410135CU.12	1
614	PULS.ACC.CON SPIA Y10 RESIN.+CABL.	19410136C.10	1
620C	SCHEDA TAGLIORETTI 24 V	19411014	1
620B	PCB LED SID 230/400	19411000.12	1
620A	PCB 230-110V LED OM.UL CB	19411102	1

RAFFAELLO 350 EVO TOP CE tav1			
Ref.	Product name	Code	Q
2	CASSA 330-350-370 RFL OSS	19510170	1
4	PERNO MANOPOLA BLOCCO PARAL.LNR-GLL	19532100	1
5	PIOLINO ANELLO RISC. PARAL.LNR-GLL	19330705	1
6	PARALAMA CE 350 C.A. RFL OSS	195102097.14	1
7	BOCCOLA FISS.PERNO PARALAMA EVO	19532104	1
8	MANOPOLA BLOCCO PARALAMA LNR-GLL	19560706	1
9	WASHER FLAT DIN 125 D.4	IX2125004	1
10	DADO AUTOBLOCC. ES DIN 982 M 4 ALTO	IX2982004	20
11	TAPPO MANOP.BLOCCO PARALAMA LNR-GLL	19560703	5
12	FLATHEAD CSK SCREW DIN 963 M5 X 10	IX2963005010	20
13	MOLLA BLOCCO PARALAMA LNR-GLL EVO	19390250	10
14	ANTI-SAGGING PIN BLADEGUARD HOLDER	19560702	1
15	SEAL RING NBR 80X95X5	19562140	1
16	BLADE 350 - 57/4/280 CE	18350574280F	1
18	AN.PR.LAMA 350 RFL	19513090	1
21	MANOPOLA PRESA PARALAMA GDO EVO OSS	19522670	1
23	FLATHEAD CSK SCREW DIN 963 M5 X 12	IX2963005012	10
24	BELT TB2 380 X 10	19310207	1
26	MANOPOLA RISCONTR.PARAL.LNR-GLL-PLD	19560704	1
28	PERNO MANOPOLA PARALAMA M6 EVO	19532103.15	1
32	WASHER DIN 9021 D 8X24	IX29021008024	10
33	HEX.NUT DIN 934 M8	IX2934008	20
40	PERNO SCORRIMENTO MOV. PLD USA Y12	19530768	1
41	VITE TCEI DIN 912 M 5X25	IX2912005025	10
44	PIASTRINA MOVIMENTO PLD USA Y12	19533270	1
46	VITE TE DIN 933 M 6X14 T.F.	IX2933006014	10
48	PRIGI.MOV.OT.M12 LEO-GALL.350/385	19337064	1
50	DADO GRANO REG.MOV.LNR-GLL 350/385	19533664	1
52	BUSHING 18.20.20	19324108	10
54	PRIGIONIERO M6 X 17 OTTONE P.PIANA	19337020	10
56	HEX.NUT DIN 934 M 6	IX2934006	20
58	VITE TCEI DIN 912 M 8X25	IX2912008025	10
60	SCREW TE DIN 933 M 6X30 T.F.	IX2933006030	10
61	MOVIMENTO VELA PLD USA Y12 LAVORATO	19500150U	1
62	MOLLA MOVIMENTO PLD EVO	19390761	1
64	VITE SENZA TESTA DIN913 M6X35 P.PN	IX2913006035	10

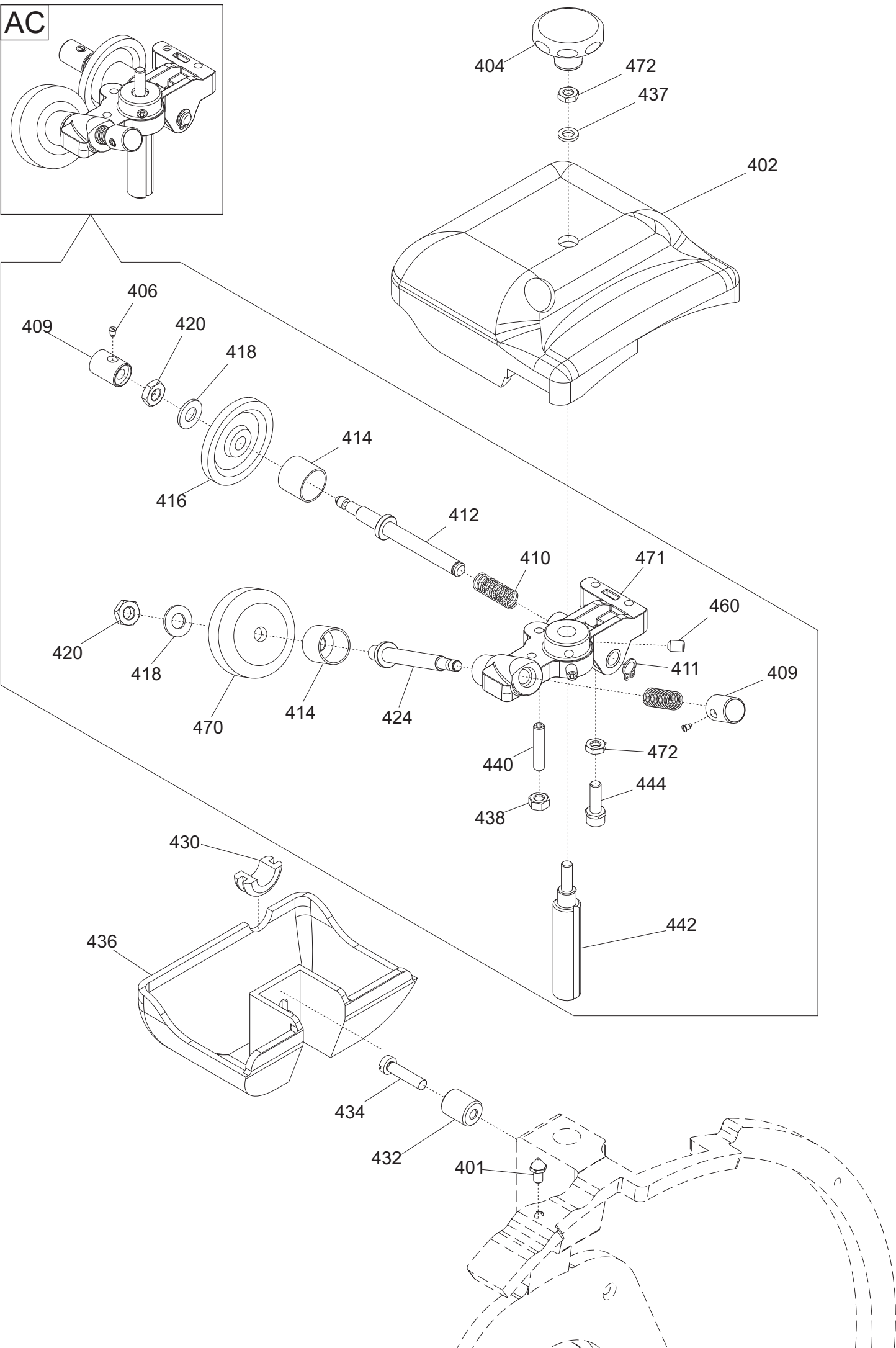
66	RULLINO MOVIMENTO PLD USA Y12	19336070	1
68	CAMMA 25 PASSO VARIAB. PLD USA Y12	19563565	1
69	HOLDING RING NUT _ MIRRA 250	19534062	1
70	DADO CAMMA 25 PASSO VAR.PLD USA Y12	19533860	1
72	FOOT PLATE _ PALLADIO/MANTEGNA 300	19540660	1
74	FOOT ASSEMBLY '05 LEONARDO 350-385	19522620.05	1
76	FOOT BUFFER '05 LEONARDO 350-385	19560156.05	1
77	OIL TUBE	19553009	5
78	OIL LABEL	19420175	10
80	FLANGIA MAN.GRAD. PLD USA Y12 OSS.	19521485	1
82	FLATHEAD CSK SCREW DIN 963 M5 X 14	IX2963005014	10
84	ANELLO PARAPOLVERE LNR-GLL	19562160	1
86	ANELLO PTFE 28X17X0.5 LNR	19563280	10
88	MOLLA TAZZA FESSURATA 29X17X0,35	19342254	5
100	ANELLI D ARRESTO DIN 471 D 17E	IX2471017	10
102	MAN. NUM. PLD EVO	19522605U.12	1
105	PERNO X ANELLO RFL 350	19534079	1
106	ANELLO TENUTA SU RUOTA BS3 20-26-4	19566910	5
108	SQUARE HEAD SCREW 8 X 29	193350055	1
109	MANOP.IX.COPER.SUP.VELA PLD USA Y12	19335020	1
110	PERNO MOV.+SUPP.VELA IX.PLD USA Y12	19530760U	1
111	PULEG.PIAT.MONT.PLD-RFL EVO	19700361	1
112	GRUB SCREW DIN 913 M8 X 10 CE	IX2913008010	10
114	FLAT WASHER DIN 125 D 8	IX2125008	20
116	COVER GASKET _ PALLADIO 300	19563060	1
117	GRUB SCREW DIN 913 M6 X 20 CE	IX2913006020	10
118	RADIAL CIRCLIPS DIN 6799 M8	IX26799008	1
120	GAUGE SUPPORT COVER_ PALLADIO 300	19512260	1
126	VELA 350 RFL OSSIDATA	19510384	1
128	BLADE COVER KNOB	19021110	5
129	S/STEEL DEFLECTOR SCREW 300-385	19335011	5
130	DEFLECTOR STUD BOLT	19336052	5
132	PARAFETTA PLD-RFL LAMA 350	19531042	1
134	SCREW TSP-DIN 963 M 4X08	IX2963004008	10



RAFFAELLO 350 EVO TOP CE tav2			
Ref.	Product name	Code	Q
2	ASSIEME PRESSAMERCE RFL CE	19801290	1
202	THREADED RELEASE PLATE _ SLICER CE	19533200	1
204	PIAST. SGANCIO CARR. PLD USA Y12	19533262	1
206	RELEASE NEEDLE _ SLICER 300-385 CE	19565001	5
212+214	CARRIAGE SLIDE_ SLICER PALLADIO 300	19500560	1
214	SELF-LUBRICATING BUSH 22.25.30	19324106	5
218	HEX.SOCKET HEAD CAP SCREW M6 X 20	IX2912006020	10
220	HEX.NUT DIN 934 M8	IX2934008	20
222	BRASS STUD BOLT M8	19337054	10
223	RELEASE PIN _ PALLADIO/MNT 300-350	19534036.10	1
224	CARRIAGE RELEASE SPRING _ 300-370CE	19390601	10
225	BEARING WASHER	19346015	5
226	THREADED BUSHING_ SLICER 300-330 CE	19534025	1
227	BEARING PIN _ SLICER 250-330	19540805	1
228	LOCKRING(EXT.THREADING)-300-330 CE	19534030	1
232	CARRIAGE PLATE _ SLICER 300-330 CE	19533007	1
242	BARRA TONDA CARR. TZN 350-370	19530649	1
245	HEX.NUT DIN 934 M 6	IX2934006	20
246	SLIDE BUFFER 25X25 M6 X 17	19560154	1
248	BARRA QUADRA 350-370 TZN	19540148	1
250	ROUND BAR SCREW 26	19335002	1
252	PIASTRINA TEMPR. TZN	19530848	1
254	ROUND BAR SPRING_ SLICER 300-330 CE	19390117	5
256	CARRIAGE LOCKING KNOB FOR LEONARDO	19522615	1
257	GRUB SCREW DIN 913 M 10X50 CE	IX2913010050	10
258	CARRIAGE SHANK _ PLD 300-330-350	19510660	1
259	S/STEEL BUSHING _ PALLADIO 300	19534020	1
260	SQUARE HEAD SCREW 8X38	19335007	1
261	MILLED BUSHING _ SLICER 300-370 CE	19534016	1
262	WASHER DIN 9021 D 8X24	IX29021008024	10
264	PIATTO RFL OSSIDATO	19510470	1
265	ROD BLOCK STRAIGHT_ PALLADIO 300	19525071	1
266	GRUB SCREW DIN 916 M5 X 6 NE	NE0916005006	10
267	HEX.SOCKET HEAD CAP SCREW M6 X 14	IX2912006014	10
269	GROWER WASHER UNI 1751 D.6	IX21751006	20
270	ASTINA PIATTO RFL	19530470	1
272	ROD BLOCK INCLINED _ PALLADIO 300	19525070	1
274	SELF-LUBR.BUSHES 12.14.12 FRM 2001	19324102	10
278	MEAT PRESS BUFFER D8,5XH36	19563206	1
282	KNOB SHAFT _ PALLADIO 300	19531320	1
284	RUBBER BUFFER D.12 FROM 2001	19560103	10
288	COUNTERSUNK HEAD SCREW, HAND GUARD	19335064	1
290	FLAT WASHER DIN 125 D 8	IX2125008	20
292	TAMPER PROOF NUT	19363560	1
294B	P.MANO POLIC. PIATTO RFL	19562343	1
294A	PARAMANO ALLUMINIO RFL OSS.	19529170	1

308	HANDLE GUARD FOR SLICER LEONARDO	19522640	1
310	MEAT PRESS KNOB	19522645	1
312	BUFFER PIN,MEAT PRESS_ PALLADIO 300	19533770	1
314	BUMPER,END WEIGHT D8XHT6 FOR SLICER	19563200	1
319	HEX.SCREW DIN 933 M5 X 16	IX2933005016	10
320	HANDLE BLOCK FROM 04 _ LEONARDO/GAL	19525052	1
322	VITE SENZA TESTA DIN913 M10X45 P.PN	IX2913010045	10
323	BEARING FOR SLICER 6000 2RS R11	19320154	1
326	TAPPO X PIATTO D.08 LNR BS2	19560124	10
327	HEX.SCREW DIN 933 M6 X 16	IX2933006016	10
328	CARRIAGE HANDLE - GREY	19562808G	1

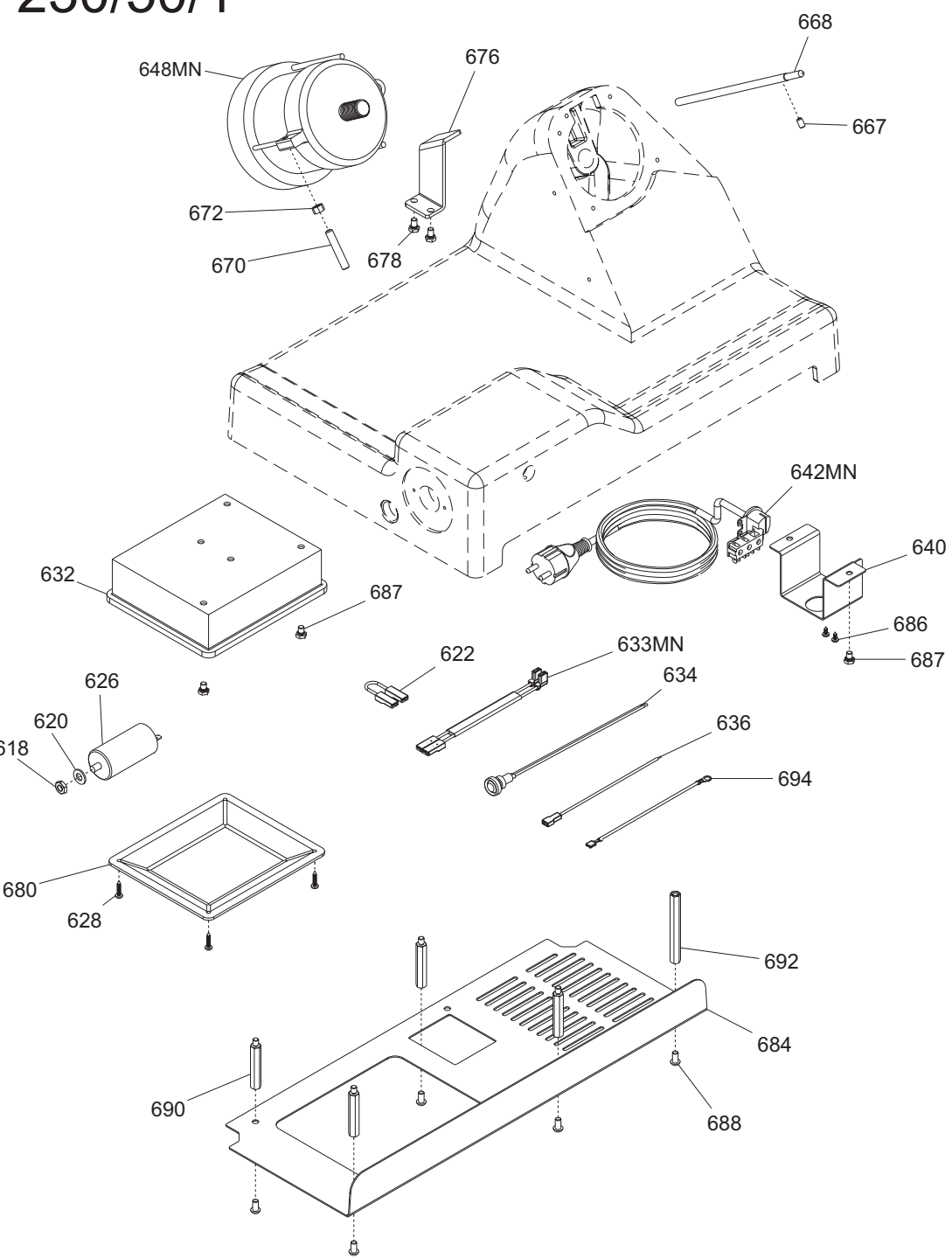
AC



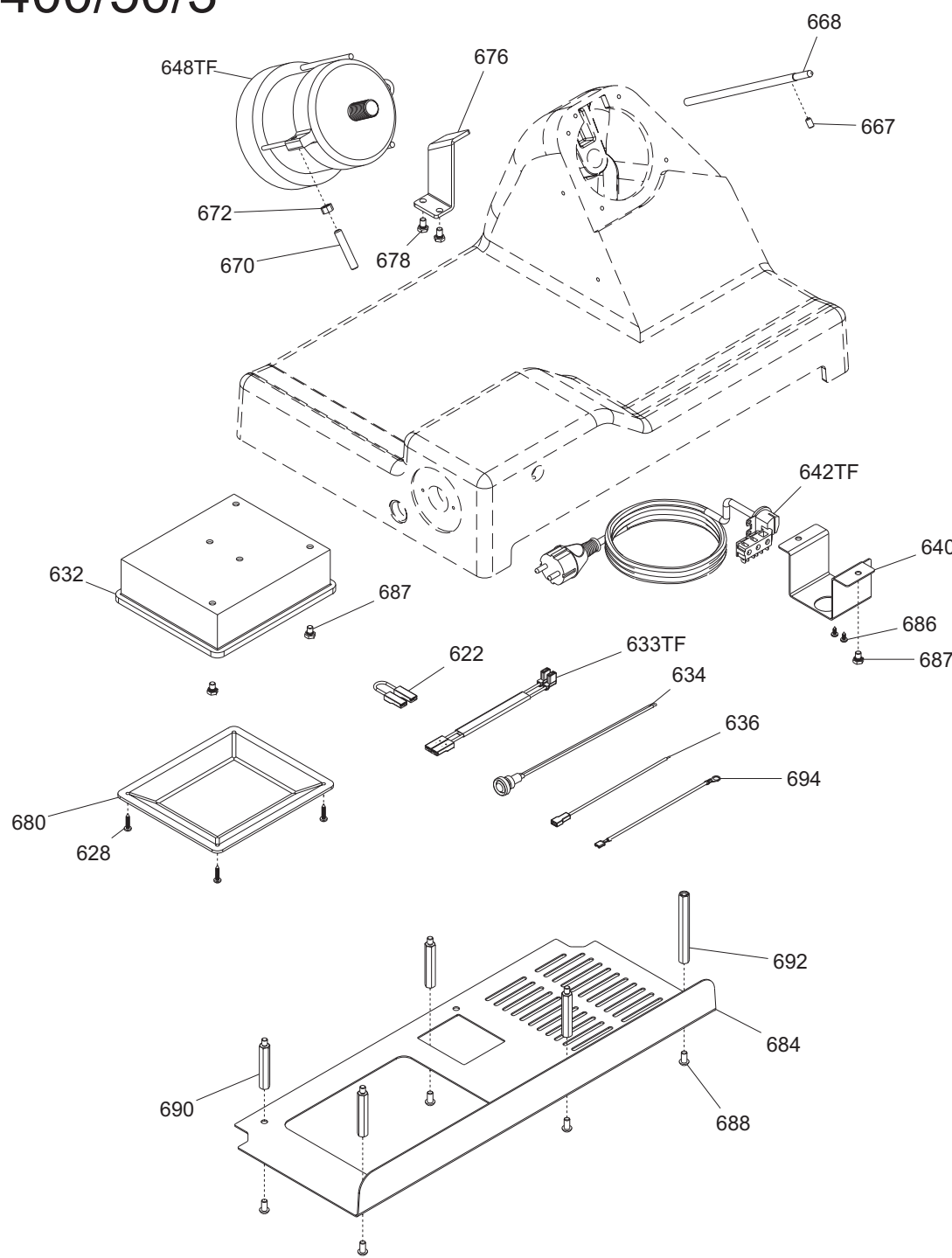
RAFFAELLO 350 EVO TOP CE

Ref.	Product name	Code	Q
AC	ASS.CORPO AFFIL.+SMERIG.LNR 300-385	19800120	1
401	CONICAL SCREW, BLADE GUARD FROM 09	19336055.09	1
402 ST	CAPPOTT. 300-385 LNR CE CERAM.	1903T1252C	1
402	SHARPENER HOUSING_LEON/PALL 300-385	19511252C	1
404	ALUM.SHARPENER KNOB_LEONARDO/PALLA	19522652	1
404 BL	SHARPENER ALU BLUE KNOB LNR/PLD	19522653	1
404 OR	MAN.CAPP.AFF.LNR ORO OSSIDATO	19522652K	1
404 RS	MAN.CAPP.AFF.LNR ROS OSSIDATO	19522652R	1
406	BUTTON LOCKING SCREW_SLICER 250-370	19335025	10
409	DEBURRING PUSH BUTTON FOR SLICER	19550208	1
410	SHARPENER PINS SPRING FOR SLICER	19390309	10
411	RETAINING RINGS DIN 471 D 08E	IX2471008	10
412	DEBURRING PIN FOR SLICER 330-370	19540709	1
414	BUSHING_LEONARDO/PALL.USA	19540718	1
416	DEBURRING STONE D.50 H.8 F.8	19300209	1
418	FLAT WASHER DIN 125 D 8	IX2125008	20
420	LOW HEX.NUT DIN 439 M8	IX2439008	10
424	SHARPENING ROD FOR SLICER 330-370	19540708	1
430	VIBRATION DAMPER	19560152	1
432	MANOP.IX.VASCHETTA AFF. Y11 LNR	19335023.11	1
434	VITE TC- DIN 84 M 6X25	IX284006025	10
436 ST	VASC.AFF.300-385 LNR CERAM.	1903T1253C	1
436	BOTTOM ENCLOSURE_LEONARDO 300-385	19511253C	1
437	FLAT WASHER DIN 125 D 6	IX2125006	10
438	HEX.NUT DIN 934 M 6	IX2934006	20
440	VITE SENZA TESTA DIN914 M6X30 P.CN	IX2914006030	10
442	PERNO COL.AFFILATOIO FRESATO LNR	19540452.09	1
444	CAPPUCCIO RISCONT.AFFIL. DAL 09	19336056.09	1
460	GRUB SCREW DIN 916 M 6X8 NE	NE0916006008	10
470	SHARPENING STONE D.48 H15 Y10	19300108C.10	1
471	CORPO AF.LNR PRESSOF. LAV	19021352.11	1
472	LOW HEX.NUT DIN 439 M 6	IX2439006	10

Ver. 1-PHASE 230/50/1



Ver. 3-PHASE 400/50/3



RAFFAELLO 350 EVO TOP CE tav4

Ref.	Product name	Code	Q
618	LOW HEX.NUT DIN 439 M8	IX2439008	10
620	FLAT WASHER DIN 125 D 8	IX2125008	20
622	CAVETTO X PONTE SCHEDA POT SID.UL	19410742	10
626	CAPACITOR FOR SLICER 10UF	19410307	1
628	VITE AUTOF.TC+ DIN 7981 D 3,9X19	IX279813,9019	10
632	RELAIS BOX FOR SLICER	19563127.09	1
633MN	CAVET.ALIM PULS-PA 205 AFF MN	19410718	5
633TF	CAVET.ALIM PULS-PA 205 AFF TF	19410719	1
634	380/220V PILOT LAMP	19410406	5
636	INDICATOR LIGHT CABLE	19410750	10
640	PIASTRINA AD U P.CAVO PLD 300-350	19541743	1
642MN CN	CAVO ALIM.COMP. CINA PA 205	19410532	1
642MN	POWER CORD SUKO PA 205	19410530	1
642TF	POWER CORD, 3PH	19410536	1
648TF	MOTORE 300 TF C.PIAT.Y11 PLD 380-50	19400407.11	1
648MN	MOTOR 300 D17 P 80 230/50/1	1940010780	1
667	GRUB SCREW DIN 916 M 6X10 NE	NE0916006010	10
668	MOTOR ROD FOR SLICER	19540560	1
670	GRUB SCREW DIN 913 MX45 CE	IX2913008045	5
672	HEX.NUT DIN 934 M8	IX2934008	20
676	SUPPORT FOR MOTOR_SLICER	19540360	1
678	VITE TE DIN 933 M 6X10 T.F.	IX2933006010	20
680	BOX COVER FOR SLICER +	19563148.09	1
684	COPERTURA INFERIORE TZN - RFL	19563149	1
686	VITE AUTOF.TC+ DIN 7981 D 3,5X9,5	IX279813,5009,5	20
687	VITE TE DIN 933 M 6X08 T.F.	IX2933006008	10
688	SCREW TBEI ISO 7380 M 6X12	IX27380006012	10
690	UPPER HEX ROD OF COVER FOR SLICER	19540752.07	1
692	HEX ROD FOR COVER_SLICER	19540754	1
694	GROUND WIRE UL FOR SLICER 300-385	19410739	10