



**7280.0045**

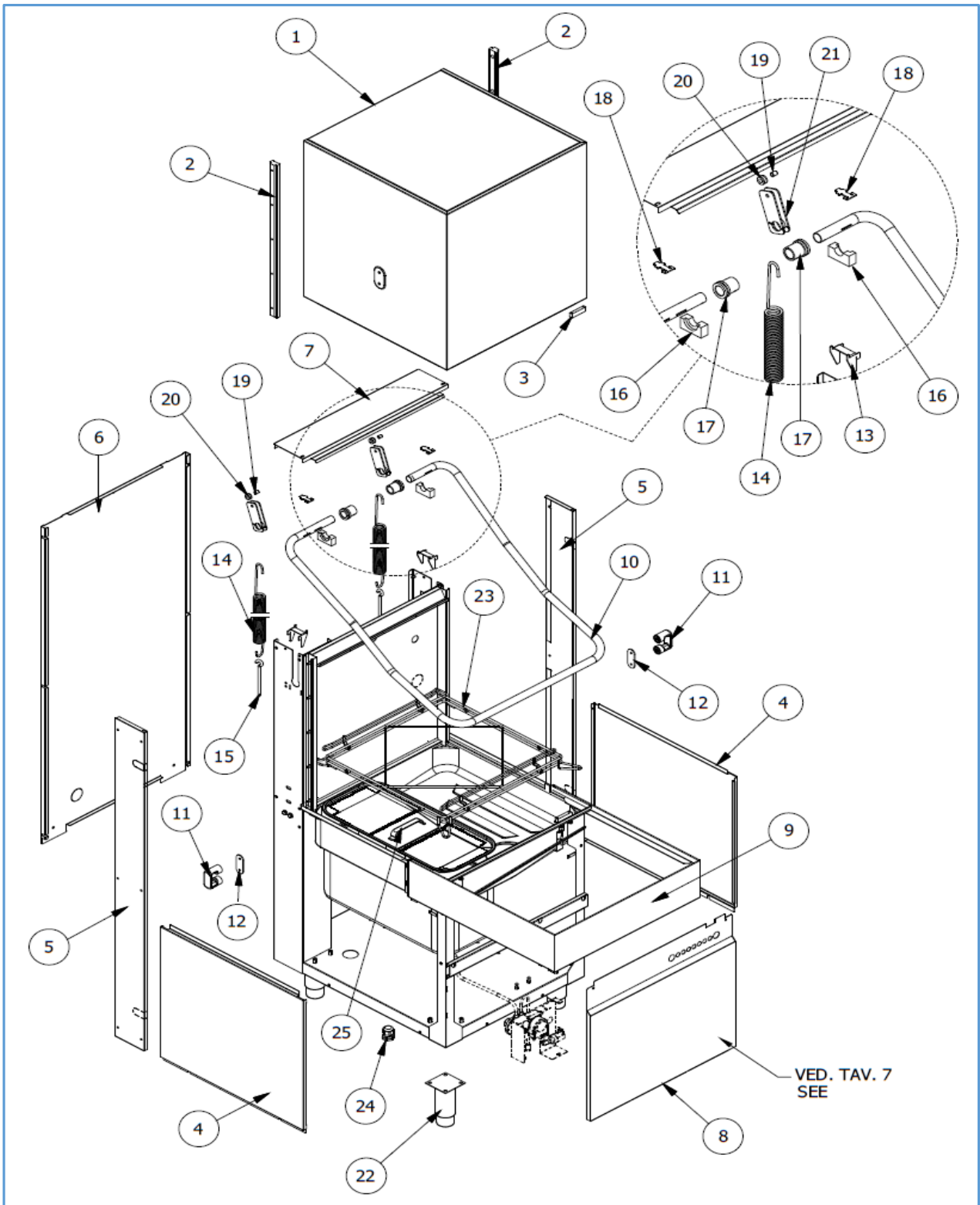
Onderdelen informatie

Erzatzteil information

Spare part information

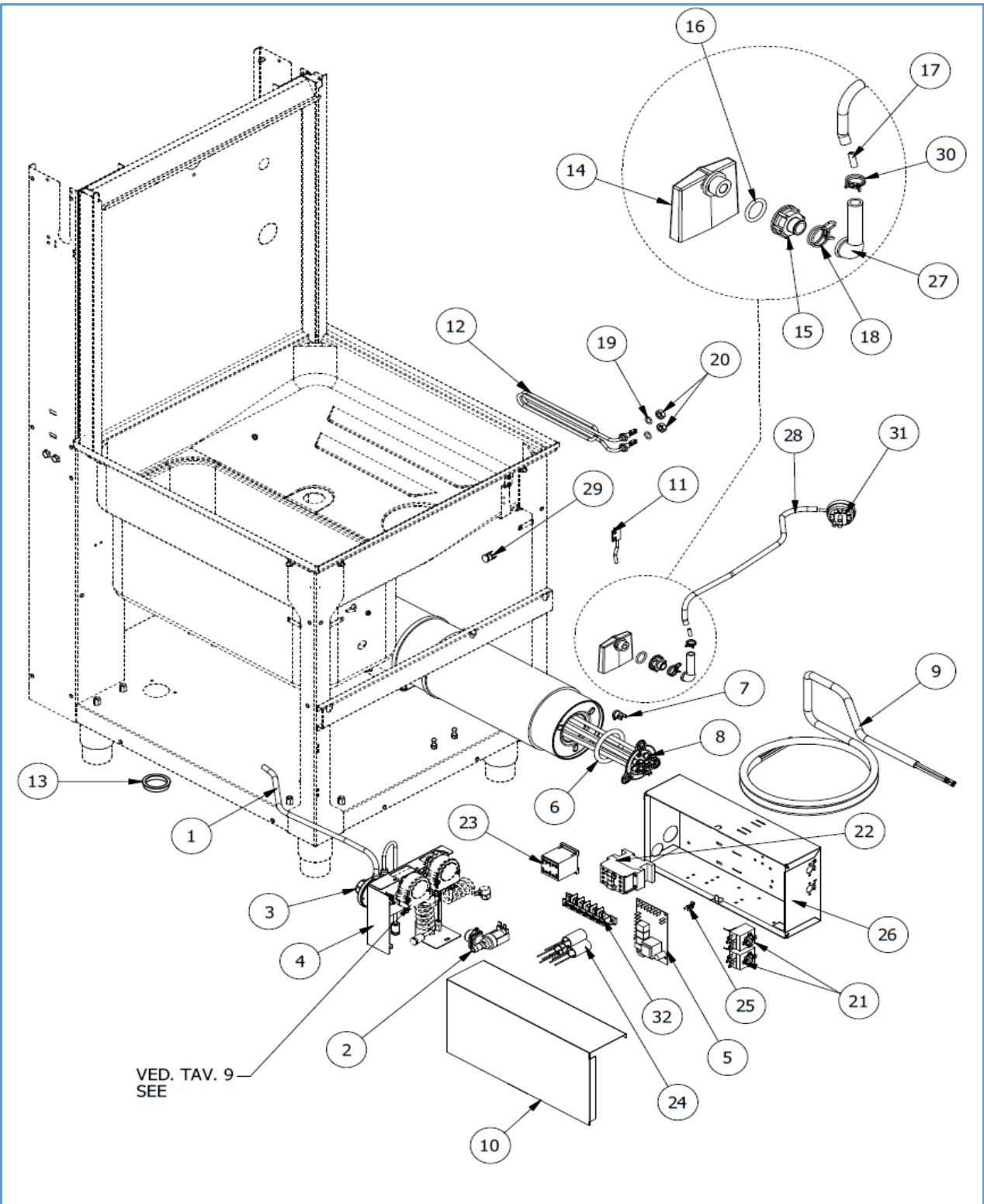
Information de pièces





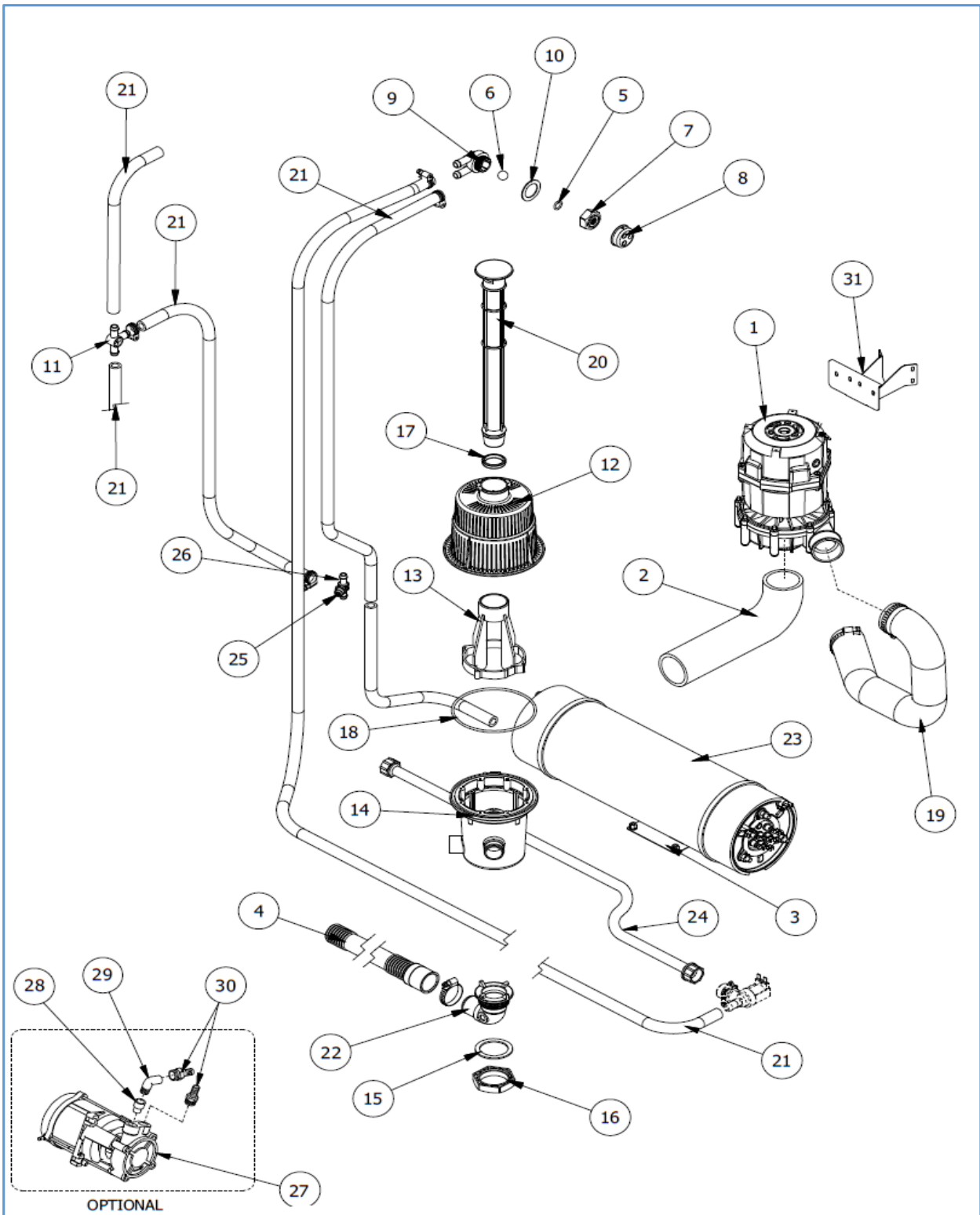
## Onderdelenlijst 7280.0045

POS:	Art.No.:	Omschrijving:	Aantal:
1		HOOD CPL.	
2	9136.2878	RAIL GUIDE	
3	9136.3090	MAGNETIC UNIT (*)	
4		SIDE PANEL , RIGHT/LEFT	
5		ROOF PANEL, RIGHR/LEFT	
6		REAR PANEL	
7		UPPER PANEL	
8		CONTROL PANEL	
9		S/S TANK COVER BAND	
10	9136.3152	HOOD LIFT HANDLE	
11	9136.2935	GUIDE FOR HOOD LIFT HANDLE	
12		INTERNAL PLATE	
13		PLATE FOR HOOD LIFT HANDLE	
14	9136.0705	SPRING (*)	
15	9136.1753	HOOK M8x120	
16	9136.2877	HOOD LIFT HANDLE SUPPORT	
17	9136.2925	BUSHING FOR HOOD LIFT HANDLE	
18	9136.2498	LOCK FOR CONNECTING ROD	
19	9136.0712	SLEEVE BEARING	
20	9136.0713	SPRING ROLLER	
21	9136.2497	PLATE FOR CONNECTING ROD	
22	9136.2626	ADJUSTABLE FEET	
23	9136.2997	BASKET FRAME CPL.	
24	9136.0206	PG21 CABLE CLAMP	
25	9136.2939	TANK FILTER	



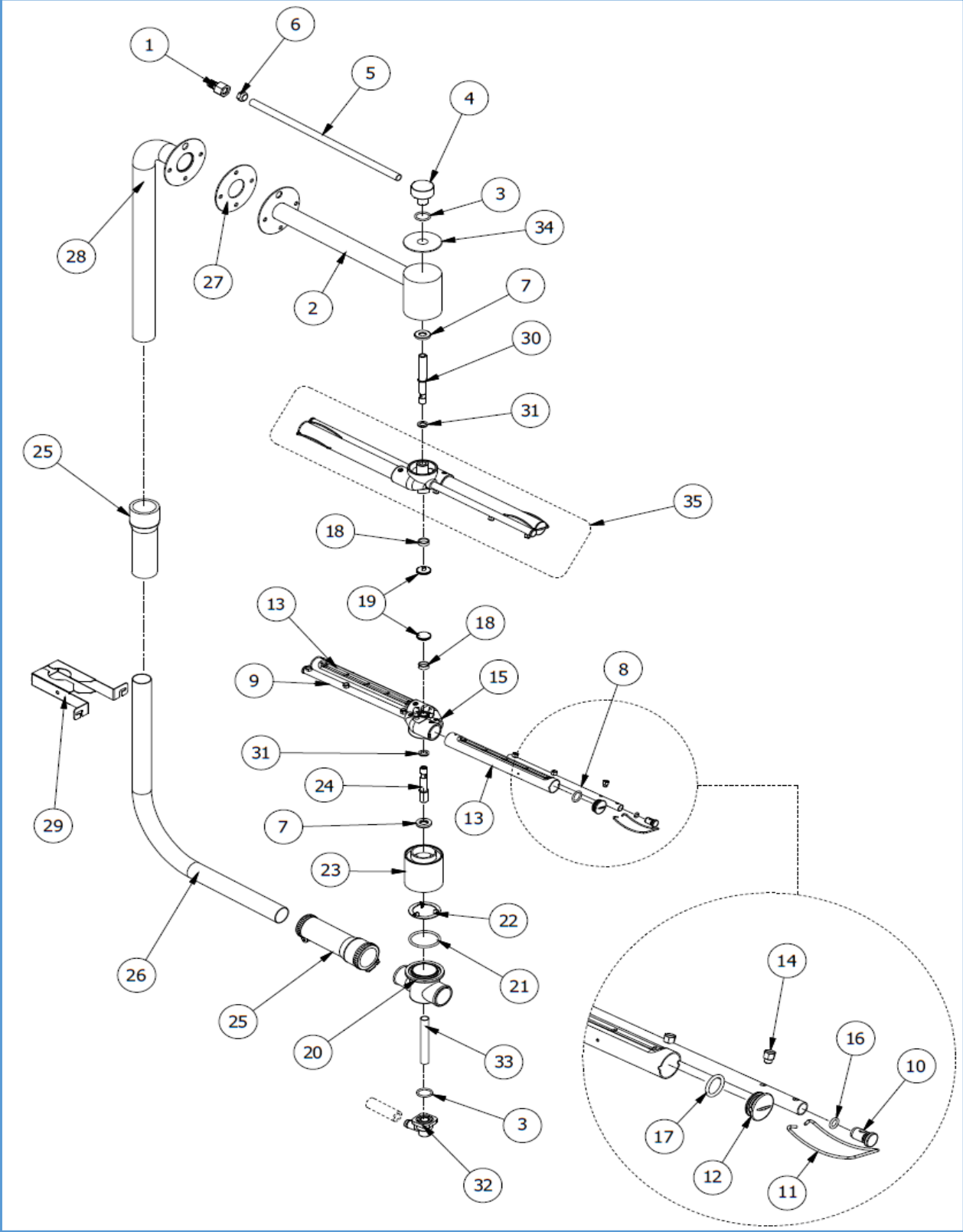
## Onderdelenlijst 7280.0045

POS:	Art.No.:	Omschrijving:	Aantal:
1		EPDM BLACK HOSE DIAM. mm. 5x11	
2	9136.0193	SINGLE SOLENOID VALVE 230V 50Hz (*)	
3		ADJUSTABLE RINSE-AID DISPENSER (*)	
4	9136.2869	DISPENSERS SUPPORT (SHEET METAL ONLY)	
5	9136.3062	ELECTRONIC TIMER 1-2 T (*)	
6	9998.5876	O-RING FOR BOILER FLANGE (*)	
7	9136.1314	MANUAL RESET SAFETY THERMOSTAT 100°C (*)	
8	9136.2630	230V 6000W BOILER HEATING ELEMENT	
9	9136.0785	5G2.5 POWER CORD SUPPLY (THREE PHASE)	
9A	9136.0533	3G4 POWER CORD SUPPLY (SINGLE PHASE)	
10	9136.2947	COVER FOR WIRING METAL BOX	
11	9136.2706	PROX. MAGNETIC MICROSWITCH (*)	
12	9136.2938	230V 2800W HEATING ELEMENT (*)	
13		RIGID SNAP CABLE BUSHING d. 50 mm.	
14	9136.1042	AIR TRAP (*)	
15	9136.1043	AIR TRAP NUT	
16	9136.0816	O-RING 4081	
17	9136.0815	BRASS PIPE	
18	9136.0192	D. 21.6-20.6 WIRE CLAMP	
19	9136.0260	O-RING 112	
20	9136.0162	M10x1 BRASS NUT	
21	9136.0179	0-90°C ADJUSTABLE THERMOSTAT (*)	
22	9136.1147	230V 50-60HZ 25A CONTACTOR (*)	
23	9136.1389	230V 50-60HZ 20A CONTACTOR (*)	
24	9136.0787	0,47 µF INTERFERENCE SUPPRESSOR	
25	9136.3740	P.C.B. SPACER	
26	9136.2867	WIRING METAL BOX (SHEET METAL ONLY)	
27	9136.0814	ANTI-CONDENSATION PIPE FITTING	
28	9136.0652	EPDM HOSE BLACK D. mm. 5x10	
29	9136.1075	MANUAL RESET SAFETY THERMOSTAT 95°C (*)	
30	9136.0190	D. 15.9-14.8 WIRE CLAMP	
31	9136.3094	PRESSOSTAT LEVEL 125/45 (*)	
32		TERMINAL BOARD FV122- 40A- 450V	



## Onderdelenlijst 7280.0045

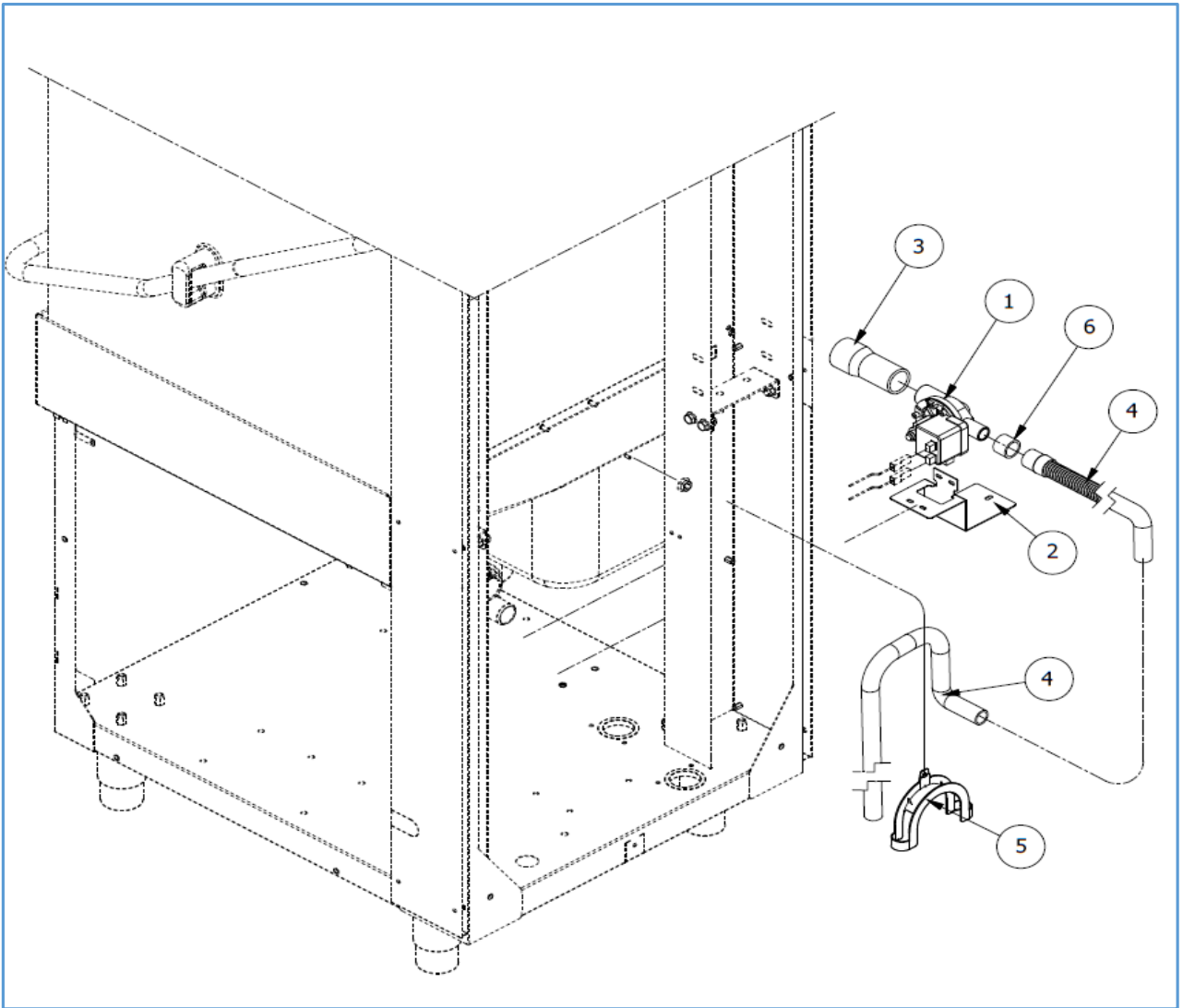
POS:	Art.No.:	Omschrijving:	Aantal:
1	9136.2983	WASHING PUMP 0,75 Kw 230V~50HZ	
1A		WASHING PUMP 0,75 Kw 230V~60HZ	
2	9136.2971	INTAKE RUBBER COUPLING	
3		8lt. BOILER ASSY	
4	9136.0614	DRAIN HOSE Int. D. mm28, L= 2000 mm.	
5	9136.0121	O-RING 115 (*)	
6	9136.0130	5/8 " PTFE BALL (*)	
7	9136.0795	NOT RETOURN VALVE RING NUT	
8	9136.3108	NOT RETOURN VALVE PLASTIC COVER	
9	9136.0794	NOT RETOURN VALVE BODY	
10	9136.0837	RUBBER GASKET	
11	9136.1088	3-WAYS DISTRIBUTOR	
12	9136.3173	TANK PLASTIC FILTER	
13	9136.3174	PLASTIC FILTER SUPPORT	
14	9136.3175	FILTER GROUP DRAIN CUP	
15	9136.0142	RUBBER GASKET	
16	9136.0141	DRAIN SCREW	
17	9136.3179	GASKET DE 150 (*)	
18	9136.2995	O-RING 4500 (*)	
19	9136.2973	WASH PIPE RUBBER COUPLING	
20	9136.3177	OVERFLOW	
21	9136.1610	D. mm. 11,5X19 RUBBER HOSE (*)	
22	9136.3176	MACHINE DRAIN	
23	9136.2998	BOILER INSULATION BAND	
24	9136.0160	WATER SUPPLY HOSE L=2000mm.	
25	9136.0674	PLASTIC LOCK NUT	
26	9136.0691	PRESSURE CONNECTION	
27	9136.0187	BOOSTER PUMP 230V 50Hz (OPT)	
27A	9136.1327	BOOSTER PUMP 230V 60Hz (OPT)	
28	9136.2118	3/8" G x30 BRASS CONNECTION	
29	9136.1131	90° M/F ELBOW	
30	9136.0494	3/8"G-D.12 mm. BRASS FITTING	
31	9136.2970	WASHING PUMP SUPPORT	





## Onderdelenlijst 7280.0045

POS:	Art.No.:	Omschrijving:	Aantal:
1		S/S TENSIONER CONNECTION	
2	9136.2874	WASHING PIPE ASSY	
3	9136.0101	O-RING 128	
4	9136.2875	90° UNION ELBOW	
5	9136.2873	UPPER RINSE PIPE	
6	9136.0905	NUT M12x1	
7	9136.1242	SUPPORTING WASHER	
8		RIGHT RINSE PIPE SEGMENT	
9		LEFT RINSE PIPE SEGMENT	
10	9136.0690	RINSE PLASTIC PLUG (*)	
11	9136.0743	LEAF SPRING	
12	9136.0741	WASHING ARMS PLASTIC PLUG (*)	
13		WASHING ARMS PIPE SEGMENT	
14	9136.3172	STAINLESS STEEL RINSE NOZZLE M6	
15	9136.0580	4RP DISTRIBUTOR (*)	
16	9136.0700	O-RING 106	
17	9136.0112	O-RING 121	
18	9136.0796	PTFE RING (*)	
19	9136.0451	STAINLESS STEEL KNURLED SCREW(*)	
20	9136.0605	LOWER CONNECTING ROD	
21	9136.0525	O-RING 147	
22	9136.2933	CENTERING RING	
23	9136.2876	CYLINDER FOR WASH ARMS	
24	9136.0608	WASHING ARMS FULCRUM	
25	9136.0835	COUPLING	
26	9136.2931	WASHING PIPE	
27	9136.2504	GASKET FOR WASHING FLANGE	
28	9136.2503	UPPER WASHING PIPE ASSY	
29	9136.2999	WASHING PIPE SUPPORT	
30	9136.0540	WASHING ARMS FULCRUM	
31	9136.0463	WASHING ARMS WASHER (*)	
32	9136.2422	90° PLASTIC CONNECTION M13x1	
33	9136.2460	STAINLESS STEEL CONNECTION ROD	
34	9136.2872	CLOSING DISC FOR CYLINDER	
35		WASHING ARMS ASSY	



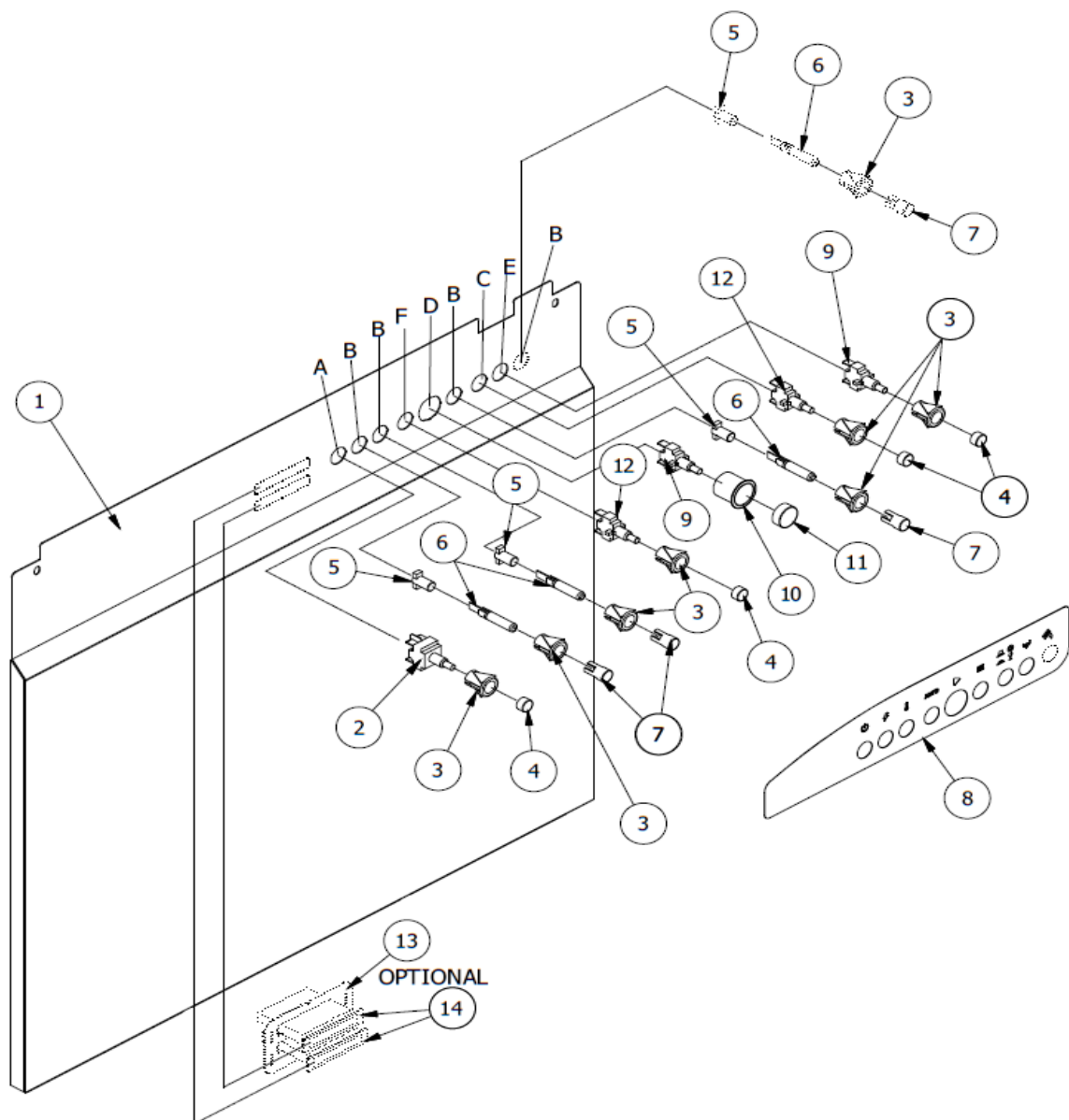
## Onderdelenlijst 7280.0045

POS:	Art.No.:	Omschrijving:	Aantal:
1	9136.0186	DRAIN PUMP 230V 50Hz(*)	
1A		DRAIN PUMP 220V 60Hz(*)	
2	9136.2924	DRAIN PUMP SUPPORT	
3	9136.0835	COUPLING	
4		DRAIN HOSE L= 2500mm.	
5	9136.3116	DRAIN HOSE SUPPORT	
.			
1	9136.0186	DRAIN PUMP 230V 50Hz(*)	
1A		DRAIN PUMP 220V 60Hz(*)	
2	9136.2924	DRAIN PUMP SUPPORT	
3	9136.0470	RUBBER COUPLING L= 75 mm.	
4		DRAIN HOSE L= 2500mm.	
5	9136.3116	DRAIN HOSE SUPPORT	



## Onderdelenlijst 7280.0045

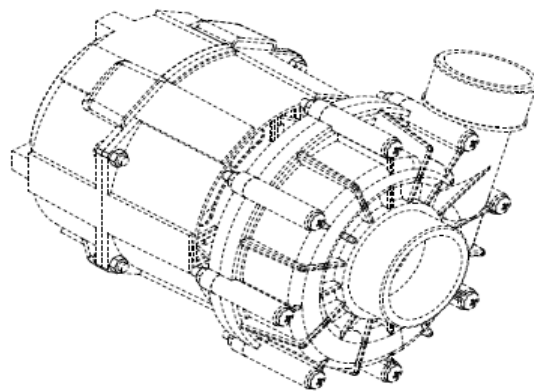
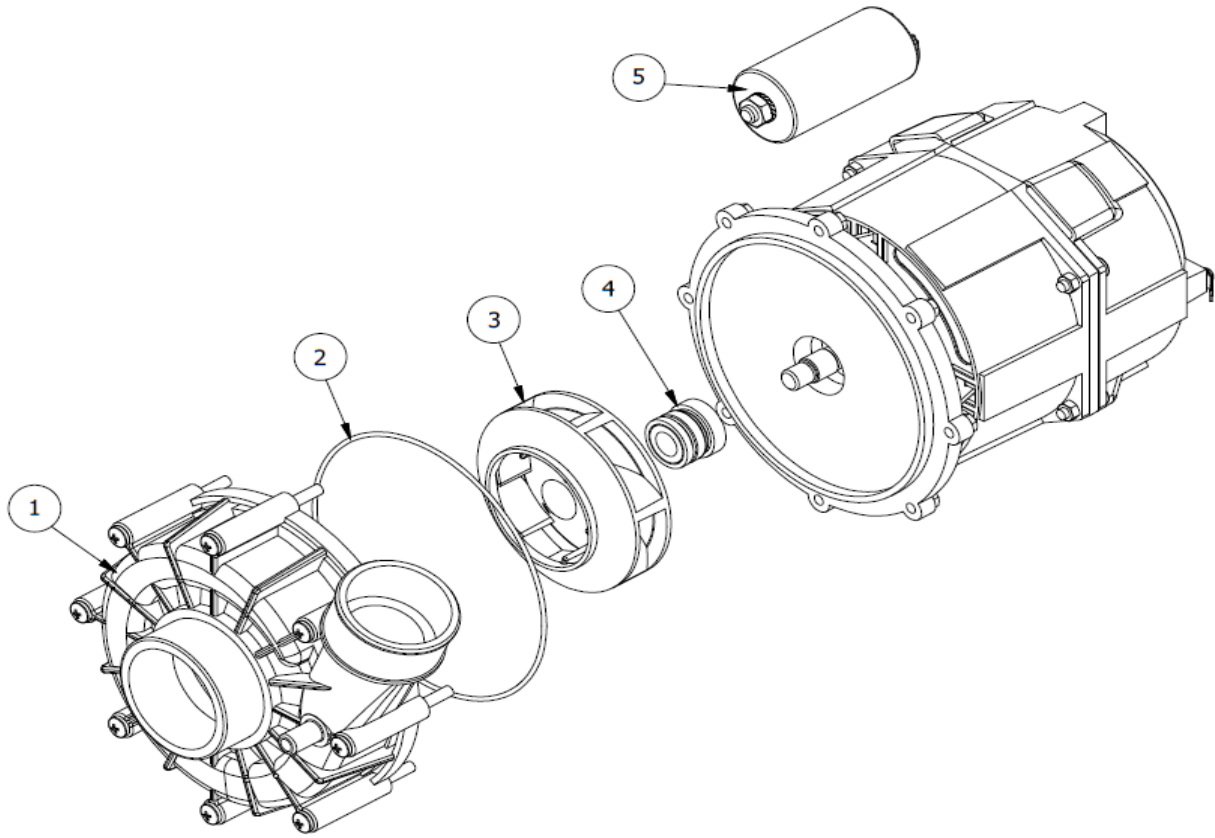
POS:	Art.No.:	Omschrijving:	Aantal:
1		AUTOMATIC WATER SOFTNER	
2	9136.2147	DOUBLE SOLENOID VALVE 90° 230V D.A. (*)	
3	9136.0458	WATER SOFTNER RING NUT	
4	9136.0457	SALT CONTAINER PLUG	
5	9136.1622	GASKET	
6		SOLENOID VALVE DOUBLE EXIT (*)	
7		WATER SOFTNER CONNECTIONE CABLE	
8	9136.1610	D. mm. 11,5X19 RUBBER HOSE (*)	
9		D. mm.10x17 BLACK RUBBER HOSE	
10		MACHINE DRAIN	
11		STAINLESS STEEL FITTING 1/4"	



A	ON-OFF	ON-OFF	ON-OFF
B	LAMPADA	LIGHT	LIGHT
C	SELETTORE CICLO	CYCLE SELECTOR	SÉLECTION DU CYCLE
D	START CICLO	START CYCLE	START CYCLE
E	POMPA SCARICO	DRAIN PUMP	POMPE DE VIDANGE
F	PARTENZA AUTOM. CICLO	AUTOM. START CYCLE	AUTOM. START CYCLE

## Onderdelenlijst 7280.0045

POS:	Art.No.:	Omschrijving:	Aantal:
1		FRONT PANEL	
2	9136.1133	CM-NA TWO-POLE SWITCH (*)	
3		D. 16 DARK GREY SUPPORT	
4		D.16 DARK GREY EMBOSSED BUTTON	
5	9136.1063	LIGHT INDICATOR HOLDER (*)	
6	9136.1069	230V TRANSPARENT INDICATOR LIGHT(*)	
7	9136.1067	NEUTRAL COVER FOR LAMP (*)	
8		ADHESIVE LABEL	
9	9136.1132	CM-NO PUSH BUTTON (*)	
10	9136.3048	D.25 GREEN SUPPORT	
11	9136.3049	D.25 GREEN EMBOSSED BUTTON	
12	9136.1897	NO SINGLE POLE SWITCH (*)	
13		THERMOMETERS SUPPORT BRACKET(OPT)	
14	9136.1536	THERMOMETERS (OPTIONAL)	



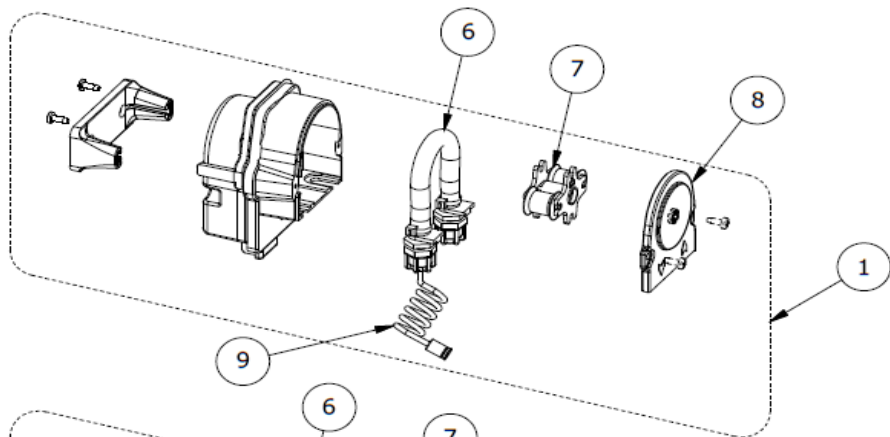
COD. 00015237 (230V 50Hz)  
COD. 00016655 (230V 60Hz)



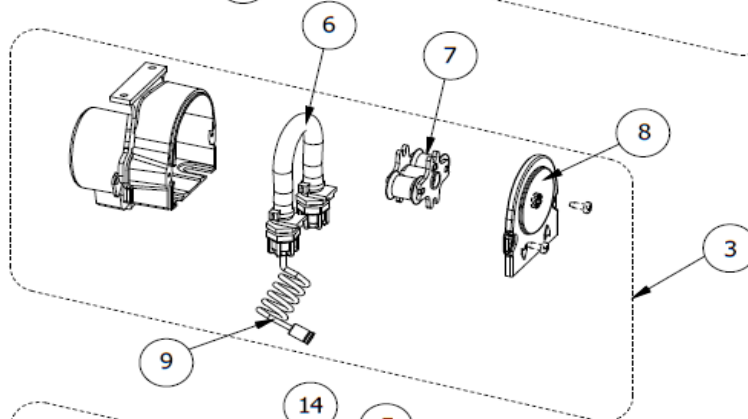
## Onderdelenlijst 7280.0045

POS:	Art.No.:	Omschrijving:	Aantal:
1		PUMP PLASTIC BODY	
2		GASKET	
3		IMPELLER	
4	9136.2907	MECHANICAL SEAL ASSY	
5		CAPACITOR 12,5 $\mu$ F	

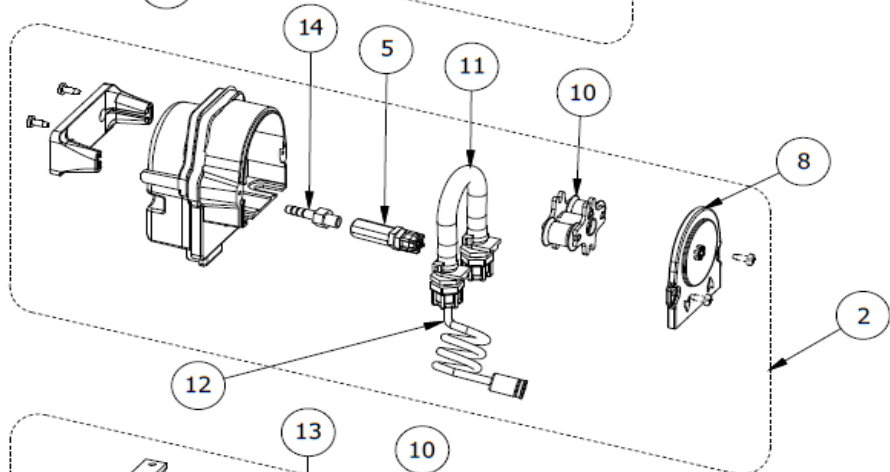
DOS. DETERSIVO REGOLABILE  
 DETERGENT DISPENSER ADJUSTABLE



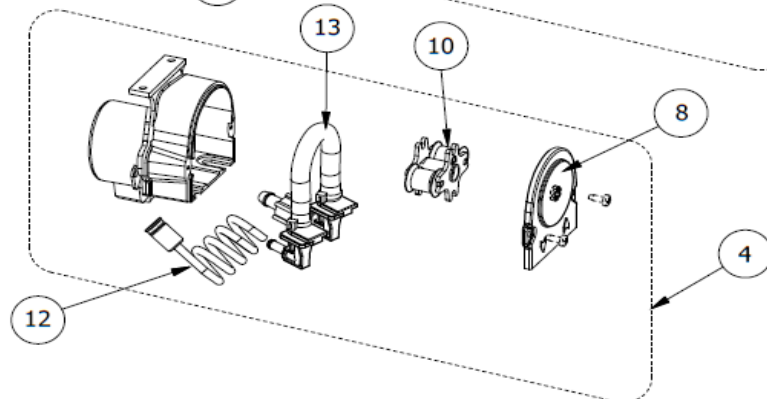
DOS. DETERSIVO FISSO  
 FIX DETERGENT DISPENSER



DOS. BRILLANTANTE REGOLABILE  
 RINSE-AID DISPENSER ADJUSTABLE



DOS. BRILLANTANTE FISSO  
 FIX RINSE-AID DISPENSER



## Onderdelenlijst 7280.0045

POS:	Art.No.:	Omschrijving:	Aantal:
1	9136.3103	ADJUSTABLE DETER. DISPENDER 0÷3Lt/h	
2	9136.3106	ADJUSTABLE RINSE-AID DISPENDER 0÷0.5Lt/h	
3	9136.3105	FIXED DETERGENT DISPENDER 3Lt/h	
4		FIXED RINSE-AID DISPENDER 0,5Lt/h	
5	9136.1750	NOT RETOURN VALVE FOR RINSE-AID DISP. (*)	
6	9136.3167	INTERNAL DETERG. DISPENSER HOSE (*)	
7	9136.1783	DETERG. DISPENS. ROLL HOLDERS ASSY (*)	
8		COVER ASSY	
9	9136.1361	DETERG. DISPENS. FILTER ASSY WITH HOSE	
10		RINSE-AID DISPENS. ROLL HOLDERS ASSY (*)	
11	9136.3168	INTERNAL RINSE-AID DISPENSER HOSE (*)	
12	9136.1362	RINSE-AID DISPENS. FILTER ASSY WITH HOSE	
13		INTERNAL RINSE-AID DISPENSER HOSE WITH VALVE	
14		1/8" STAINLESS STEEL HOSE NIPPLE	