



**7280.0020**

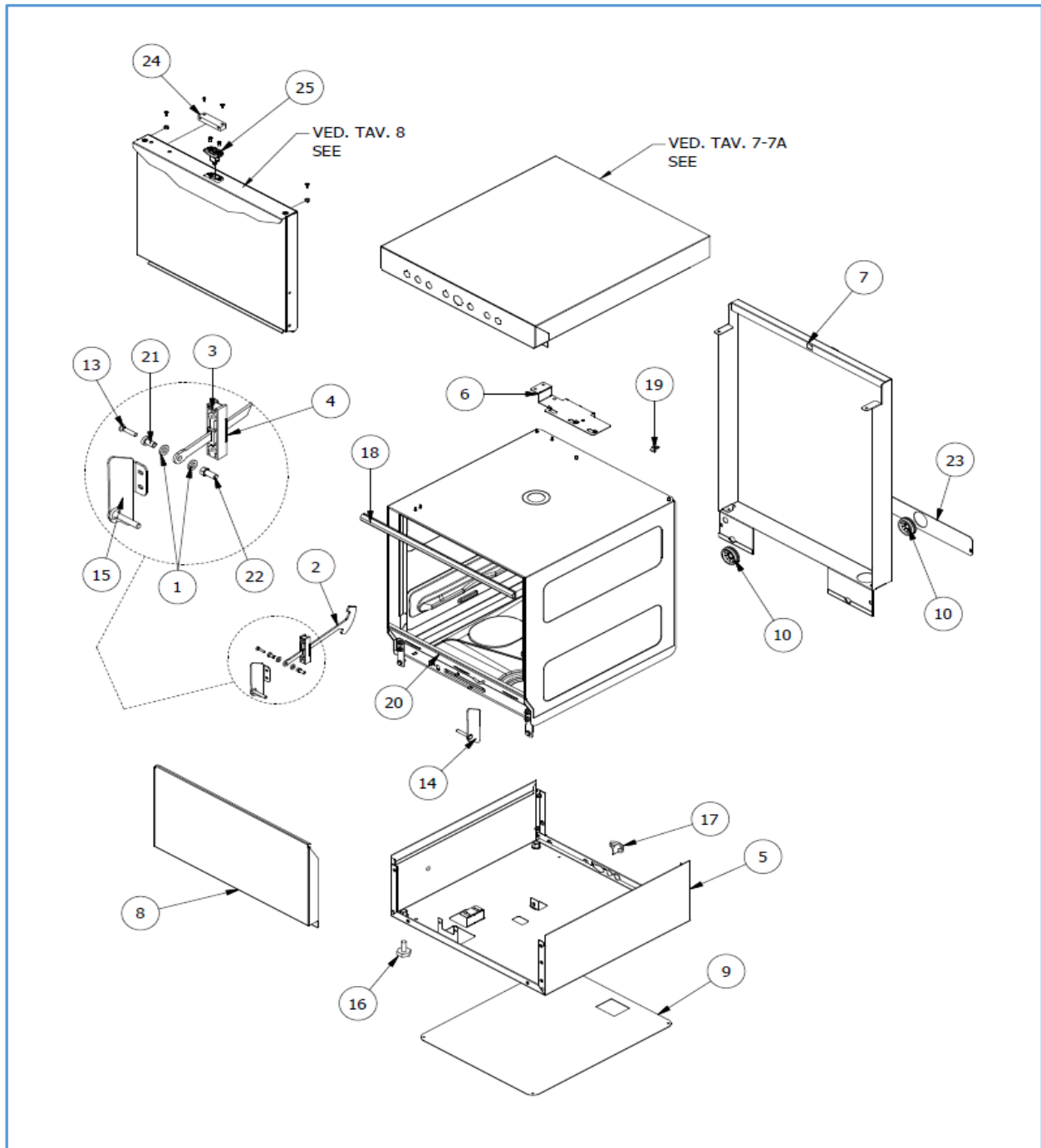
Onderdelen informatie

Erzatzteil information

Spare part information

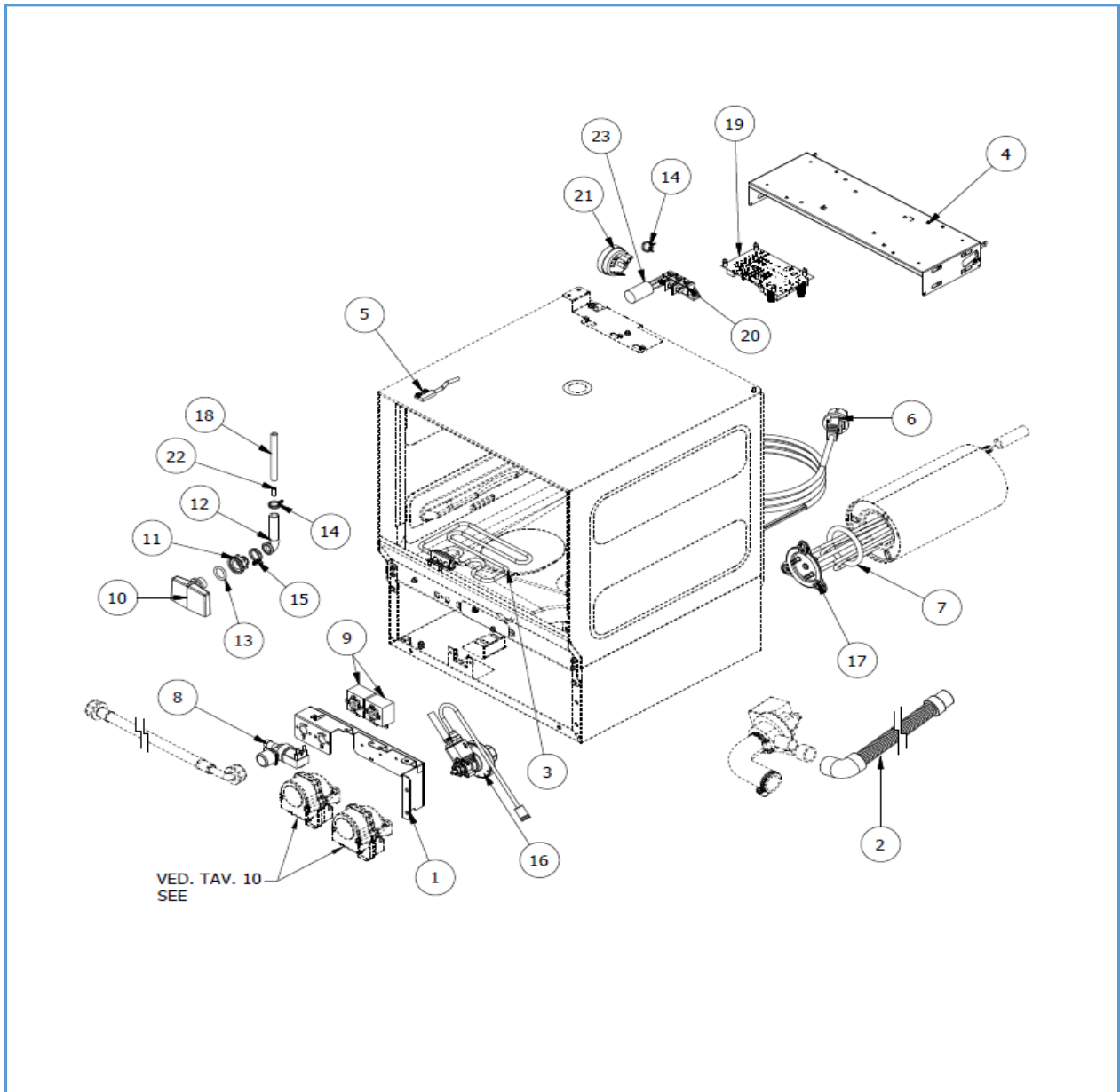
Information de pièces





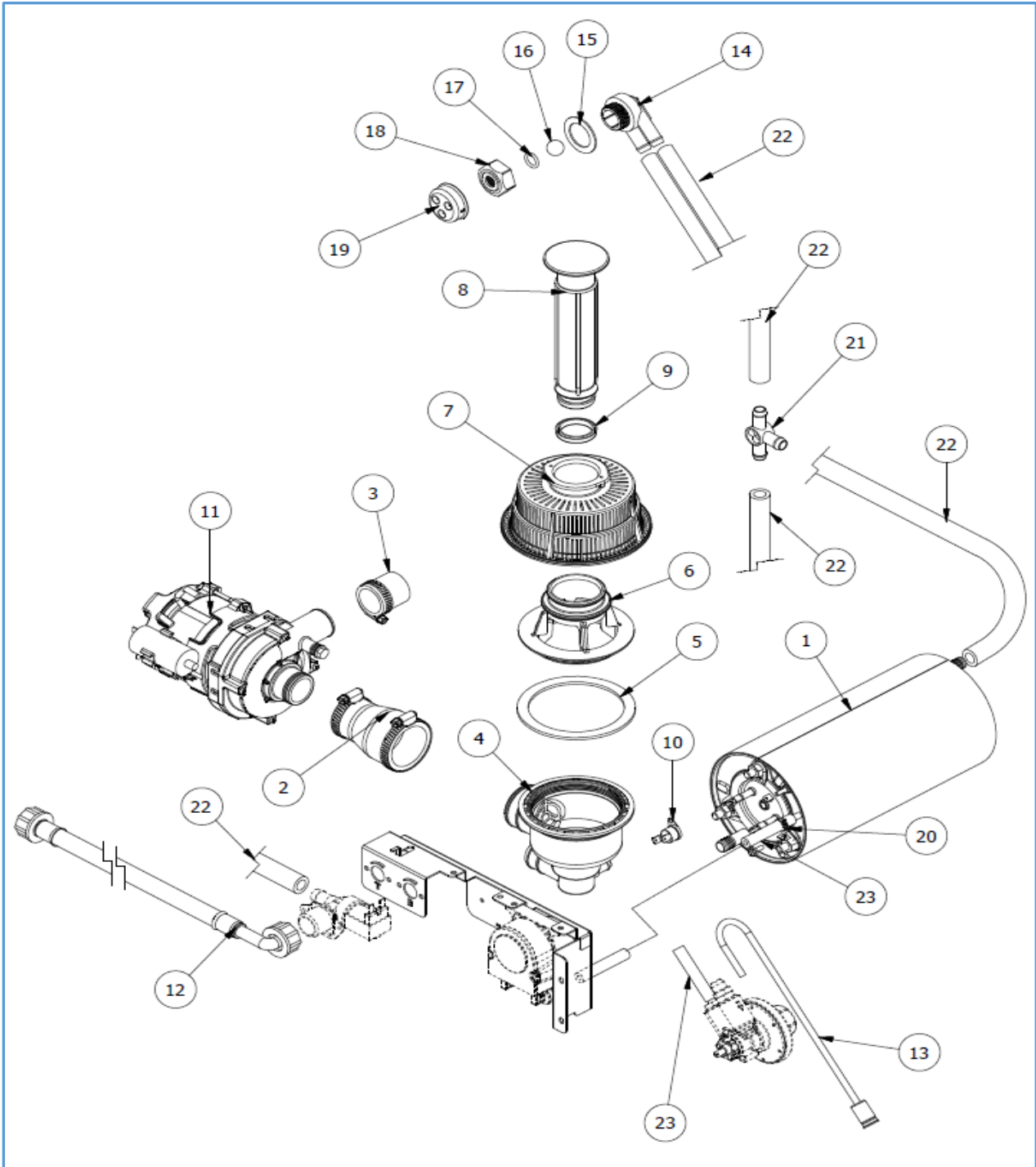
## Onderdelenlijst 7280.0020

| POS: | Art.No.:  | Omschrijving:                         | Aantal: |
|------|-----------|---------------------------------------|---------|
| 1    |           | WASHER FOR DOOR TENSIONER             |         |
| 2    |           | DOOR TENSIONER                        |         |
| 3    |           | TENSIONER GUIDE                       |         |
| 4    |           | S.S. BLOCK FOR DOOR TENSIONER         |         |
| 5    |           | BASE ASSY                             |         |
| 6    |           | PRESSOSTAT AND TERMINAL BOARD SUPPORT |         |
| 7    |           | REAR PANEL                            |         |
| 8    |           | LOWER TRIM PANEL                      |         |
| 9    |           | BOTTOM GUARD                          |         |
| 10   |           | PLASTIC SNAP CABLE                    |         |
| 11   |           |                                       |         |
| 12   |           |                                       |         |
| 13   |           | STAINLESS STEEL SCREW M4x20 TCPS      |         |
| 14   |           | MOUNTAIN BRACKET ASSY FOR RIGHT HINGE |         |
| 15   |           | MOUNTAIN BRACKET ASSY FOR LEFT HINGE  |         |
| 16   | 9136.1798 | ADJUSTABLE FOOT M10 (*)               |         |
| 17   | 9136.0234 | CABLE CLAMP                           |         |
| 18   |           | DOOR GASKET L=mm. 565 (*)             |         |
| 19   |           | MALE PLASTIC LATCH                    |         |
| 20   | 9136.1078 | EPDM GASKET DIM. mm.20x2x565 L (*)    |         |
| 21   |           | LINCHPIN                              |         |
| 22   |           | TENSIONING PIN                        |         |
| 23   |           | LOWER REAR PANEL                      |         |
| 24   | 9136.1526 | MAGNETIC UNIT (*)                     |         |
| 25   |           | DOOR JACK ASSY (*)                    |         |



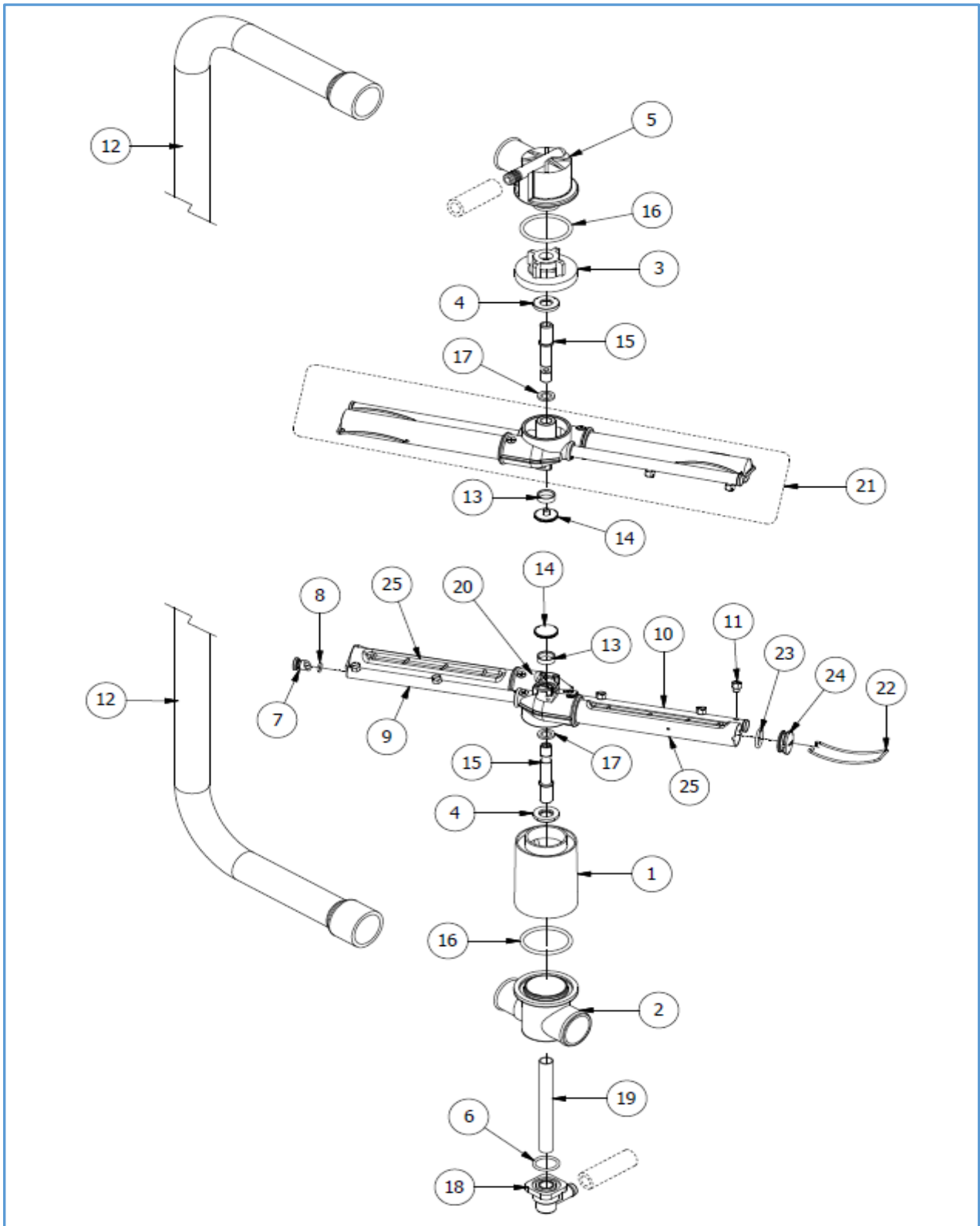
## Onderdelenlijst 7280.0020

| POS: | Art.No.:  | Omschrijving:                                   | Aantal: |
|------|-----------|---|---------|
| 1    |           | DETERGENT DISPENSER-THERMOSTATS SUPPORT         |         |
| 2    |           | DRAIN HOSE L=2500 mm                            |         |
| 3    |           | HEATING ELEMENT 240V 2400W (*)                  |         |
| 4    |           | ELECTRICAL SUPPORT                              |         |
| 5    | 9136.2706 | PROX MAGNETIC MICROSWITCH (*)                   |         |
| 6    | 9136.2926 | POWER CORD SUPPLY 3G 1,5 WITH SCHUKO PLUG       |         |
| 7    | 9998.5876 | O-RING FOR BOILER FLANGE (*)                    |         |
| 8    | 9136.0193 | SINGLE SOLENOID VALVE 90° 230V (*)              |         |
| 9    | 9136.0179 | AJUSTABLE 0÷90° THERMOSTAT (*)                  |         |
| 10   |           | AIR TRAP (*)                                    |         |
| 11   | 9136.1043 | AIR TRAP NUT                                    |         |
| 12   | 9136.0814 | ANTI-CONDENSATION PIPE FITTING                  |         |
| 13   | 9136.0816 | O-RING 4081                                     |         |
| 14   | 9136.0190 | ∅ 15,9-14,8 HOSE CLAMP                          |         |
| 15   | 9136.0192 | ∅ 21,6-20,6 WIRE CLAMP                          |         |
| 16   |           | RINSE-AID DISPENSER (*)                         |         |
| 17   |           | BOILER HEATING ELEMENT 240V 3000W (*)           |         |
| 18   | 9136.0652 | EPDM HOSE , BLACK D. mm. 5x10                   |         |
| 19   |           | MULTIFUNCTION ELECTRONIC TIMER (*)              |         |
| 20   |           | TERMINAL BOARD FV 110 - 40A - 450V SINGLE PHASE |         |
| 21   | 9136.3118 | PRESSOSTAT LEVEL 28/12 (*)                      |         |
| 22   | 9136.0815 | BRASS PIPE                                      |         |
| 23   | 9136.0787 | INTERFERENCE SURPRESSOR 0,47 µF                 |         |



## Onderdelenlijst 7280.0020

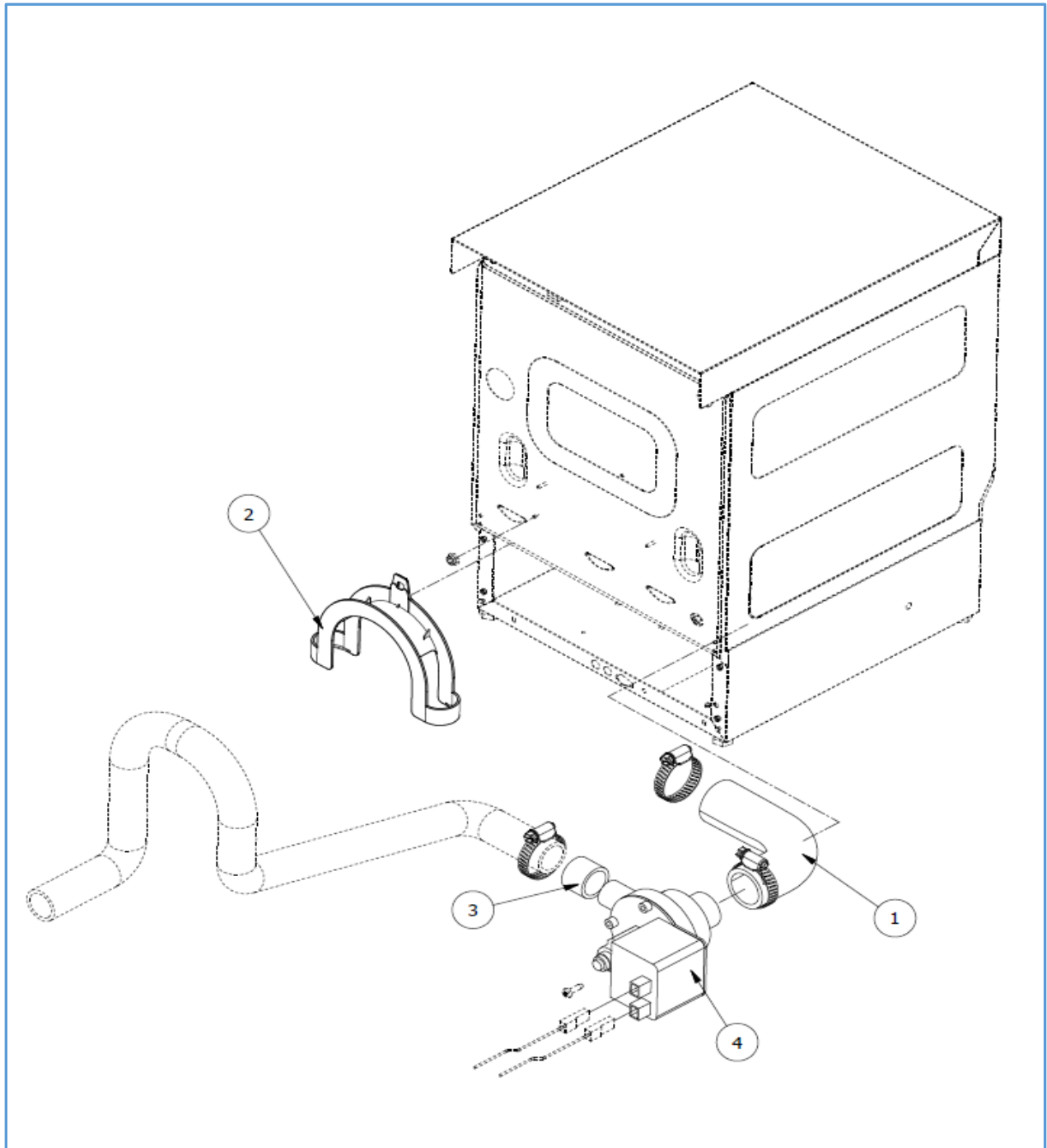
| POS: | Art.No.:  | Omschrijving:                        | Aantal: |
|------|-----------|--------------------------------------|---------|
| 1    |           | 5 Lt. BOILER ASSY                    |         |
| 2    |           | INTAKE RUBBER COUPLING               |         |
| 3    |           | WASH PIPE RUBBER COUPLING            |         |
| 4    |           | FILTER GROUP DRAIN CUP               |         |
| 5    |           | GASKET FOR FILTER GROUP              |         |
| 6    |           | PLASTIC FILTER SUPPORT               |         |
| 7    |           | TANK PLASTIC FILTER                  |         |
| 8    |           | OVERFLOW                             |         |
| 9    | 9136.3179 | GASKET DE 150                        |         |
| 10   | 9136.1314 | MANUAL RESET SAFETY THERMOSTAT (*)   |         |
| 11   |           | WASHING PUMP 0,550 Kw 230V 50Hz      |         |
| 11A  |           | WASHING PUMP 0,550 Kw 230V 60Hz      |         |
| 12   | 9136.0128 | WATER SUPPLY HOSE L=mm.2000          |         |
| 13   | 9136.1362 | RINSE-AID DISPENSER FILTER ASSY      |         |
| 14   | 9136.0794 | NOT RETOURN VALVE BODY               |         |
| 15   | 9136.0837 | RUBBER GASKET                        |         |
| 16   | 9136.0130 | 5/8" PTFE BALL (*)                   |         |
| 17   | 9136.0121 | O-RING 115 (*)                       |         |
| 18   | 9136.0795 | NOT RETOURN VALVE RING NUT           |         |
| 19   | 9136.3108 | NOT RETOURN VALVE PLASTIC COVER      |         |
| 20   |           | Ø 11,0-10,4 WIRE CLAMP               |         |
| 21   | 9136.1088 | 3-WAYS DISTRIBUTOR                   |         |
| 22   | 9136.1610 | D. mm. 11,5x19 BLACK RUBBER HOSE (*) |         |
| 23   |           | EPDM HOSE, BLACK D. mm. 5x11 (*)     |         |





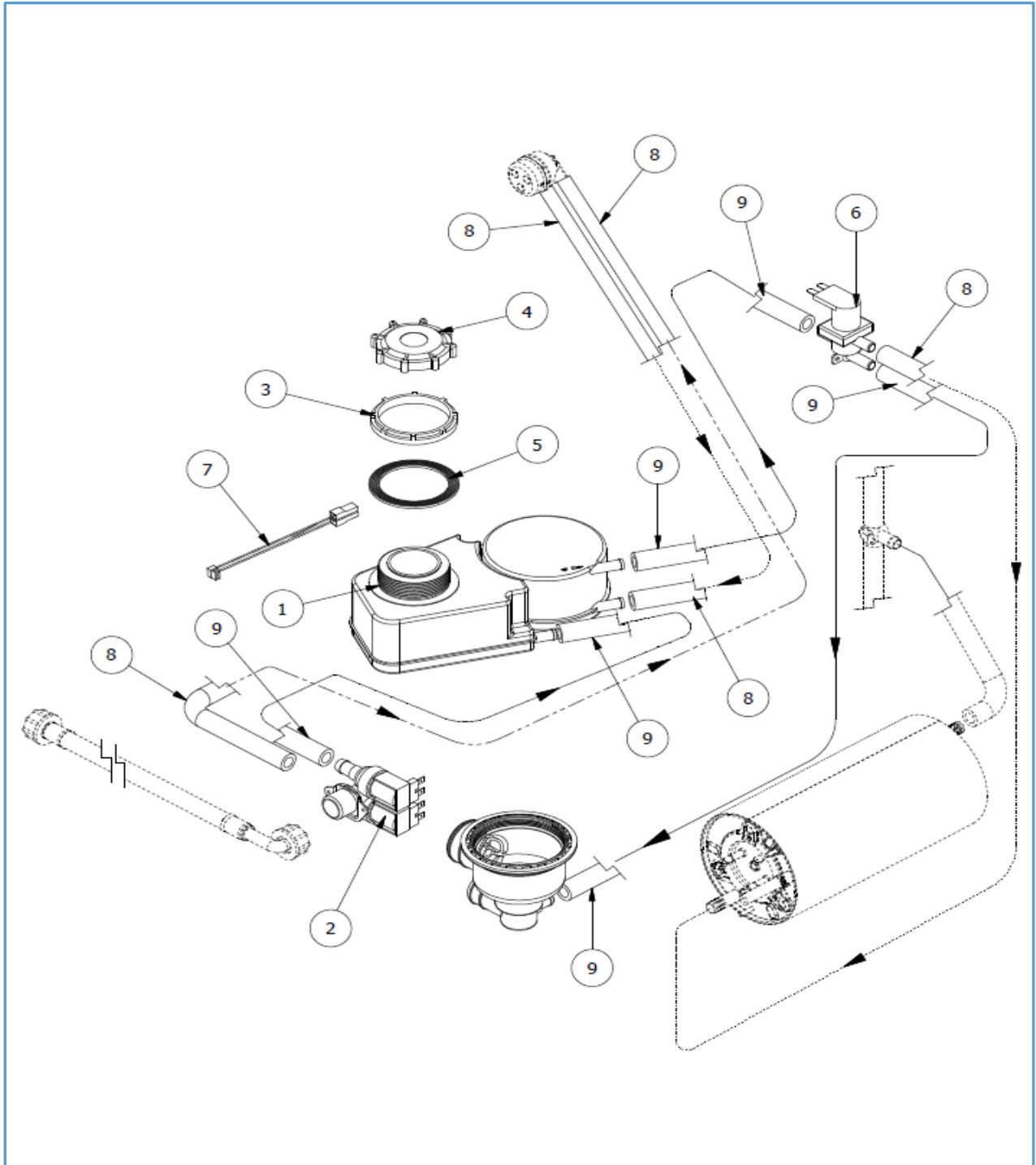
## Onderdelenlijst 7280.0020

| POS: | Art.No.:  | Omschrijving:                    | Aantal: |
|------|-----------|----------------------------------|---------|
| 1    | 9136.1244 | PLASTIC CYLINDER FOR WASH ARMS   |         |
| 2    | 9136.0605 | LOWER CONNECTING ROD             |         |
| 3    | 9136.2653 | PLASTIC CONNECTION FLANGE        |         |
| 4    | 9136.1242 | SUPPORTING WASHER                |         |
| 5    | 9136.1037 | UPPER CONNECTING ROD             |         |
| 6    | 9136.0101 | O-RING 128                       |         |
| 7    | 9136.0690 | RINSE PLASTIC PLUG (*)           |         |
| 8    | 9136.0700 | O-RING 106                       |         |
| 9    | 9136.1055 | RIGHT RINSE PIPE SEGMENT         |         |
| 10   | 9136.1056 | LEFT RINSE PIPE SEGMENT          |         |
| 11   | 9136.3172 | STAINLESS STEEL RINSE NOZZLE M6  |         |
| 12   |           | WASHING PIPE                     |         |
| 13   | 9136.0796 | PTFE RING (*)                    |         |
| 14   | 9136.0451 | STAINLESS STEEL KNURLED SCREW(*) |         |
| 15   | 9136.0608 | WASHING ARMS FULCRUM             |         |
| 16   | 9136.0525 | O-RING 147                       |         |
| 17   | 9136.0463 | WASHING ARMS WASHER (*)          |         |
| 18   | 9136.2422 | 90° PLASTIC CONNECTION M13x1     |         |
| 19   | 9136.0609 | STAINLESS STEEL CONNECTION ROD   |         |
| 20   | 9136.0580 | 4RP DISTRIBUTOR (*)              |         |
| 21   | 9136.3014 | WASHING ARM ASSY                 |         |
| 22   | 9136.0743 | LEAF SPRING                      |         |
| 23   | 9136.0112 | O-RING 121                       |         |
| 24   | 9136.0741 | WASHING ARMS PLASTIC PLUG (*)    |         |
| 25   | 9136.2982 | WASHING ARMS PIPE SEGMENT        |         |



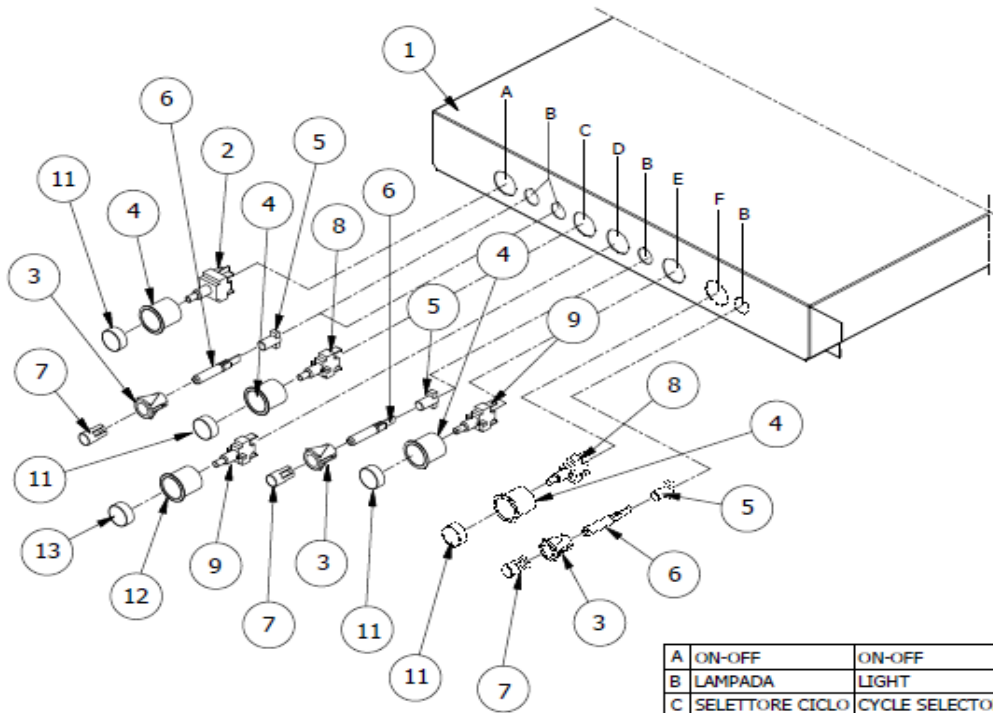
## Onderdelenlijst 7280.0020

| POS: | Art.No.:  | Omschrijving:           | Aantal: |
|------|-----------|-------------------------|---------|
| 1    | 9136.1336 | RUBBER COUPLING         |         |
| 2    | 9136.3116 | DRAIN HOSE SUPPORT      |         |
| 3    |           | EPDM HOSE               |         |
| 4    | 9136.2149 | DRAIN PUMP 230V 50Hz(*) |         |
| 4A   |           | DRAIN PUMP 220V 60Hz(*) |         |

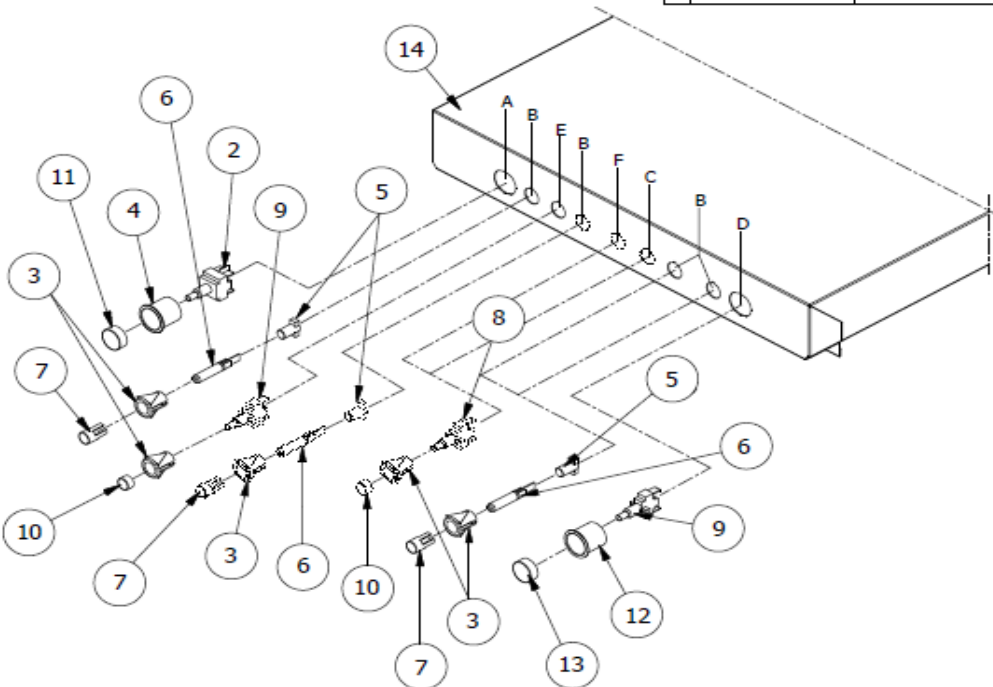


## Onderdelenlijst 7280.0020

| POS: | Art.No.:  | Omschrijving:                           | Aantal: |
|------|-----------|---|---------|
| 1    |           | AUTOMATIC WATER SOFTNER                 |         |
| 2    | 9136.2147 | DOUBLE SOLENOID VALVE 90° 230V D.A. (*) |         |
| 3    | 9136.0458 | WATER SOFTNER RING NUT                  |         |
| 4    | 9136.0457 | SALT CONTAINER PLUG                     |         |
| 5    | 9136.1622 | GASKET                                  |         |
| 6    |           | SOLENOID VALVE DOUBLE EXIT (*)          |         |
| 7    |           | WATER SOFTNER CONNECTIONE CABLE         |         |
| 8    | 9136.1610 | D. mm. 11,5x19 BLACK RUBBER HOSE (*)    |         |
| 9    |           | D. mm.10x17 BLACK RUBBER HOSE           |         |

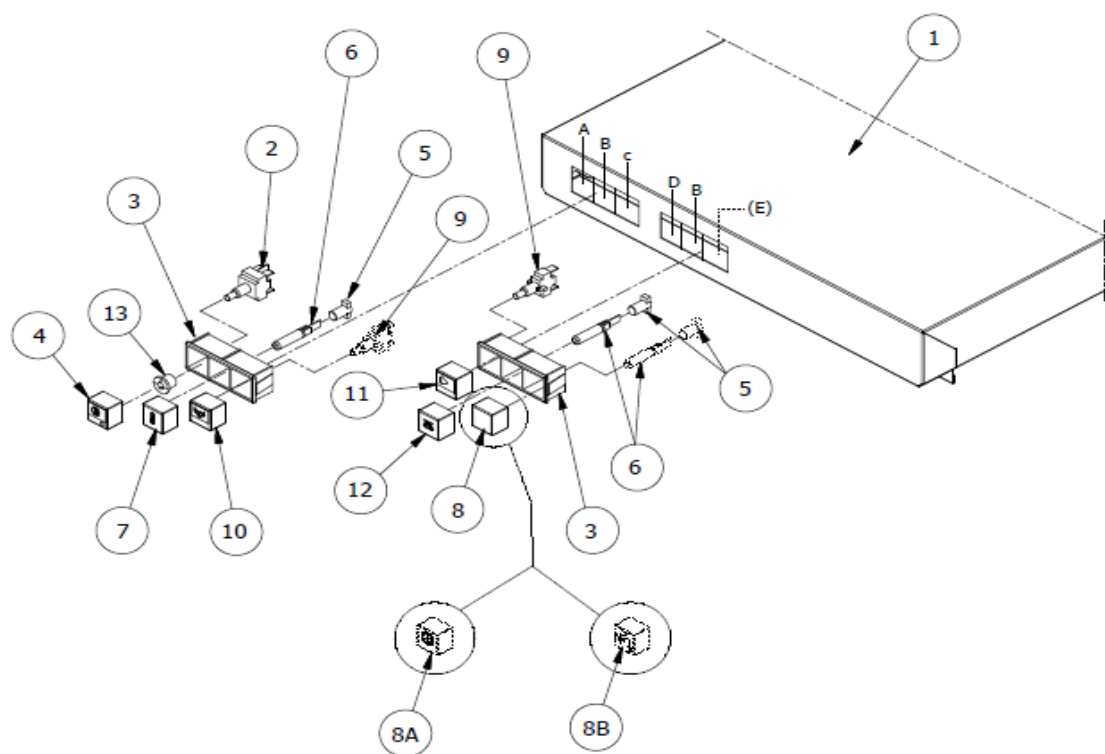


|   |                 |                |                    |
|---|-----------------|----------------|--------------------|
| A | ON-OFF          | ON-OFF         | ON-OFF             |
| B | LAMPADA         | LIGHT          | LIGHT              |
| C | SELETTORE CICLO | CYCLE SELECTOR | SÉLECTION DU CYCLE |
| D | START CICLO     | START CYCLE    | START CYCLE        |
| E | POMPA SCARICO   | DRAIN PUMP     | POMPE DE VIDANGE   |
| F | RISC.A FREDDO   | COLD RINSE     | RINÇAGE A FROID    |



## Onderdelenlijst 7280.0020

| POS: | Art.No.:  | Omschrijving:                       | Aantal: |
|------|-----------|-------------------------------------|---------|
| 1    |           | UPPER COVER ASSY                    |         |
| 2    | 9136.1133 | CM-NA TWO-POLE SWITCH (*)           |         |
| 3    |           | D. 16 DARK GREY SUPPORT             |         |
| 4    |           | D. 25 DARK GREY SUPPORT             |         |
| 5    | 9136.1063 | LIGHT INDICATOR HOLDER (*)          |         |
| 6    | 9136.1069 | 230V TRANSPARENT INDICATOR LIGHT(*) |         |
| 7    | 9136.1067 | NEUTRAL COVER FOR LAMP (*)          |         |
| 8    | 9136.1897 | NO SINGLE POLE SWITCH (*)           |         |
| 9    | 9136.1132 | CM-NO PUSH BUTTON (*)               |         |
| 10   |           | D.16 DARK GREY EMBOSSED BUTTON      |         |
| 11   |           | D.25 DARK GREY EMBOSSED BUTTON      |         |
| 12   |           | D. 25 BLUE SUPPORT                  |         |
| 13   |           | D.25 BLUE EMBOSSED BUTTON           |         |
| 14   |           | UPPER COVER ASSY                    |         |

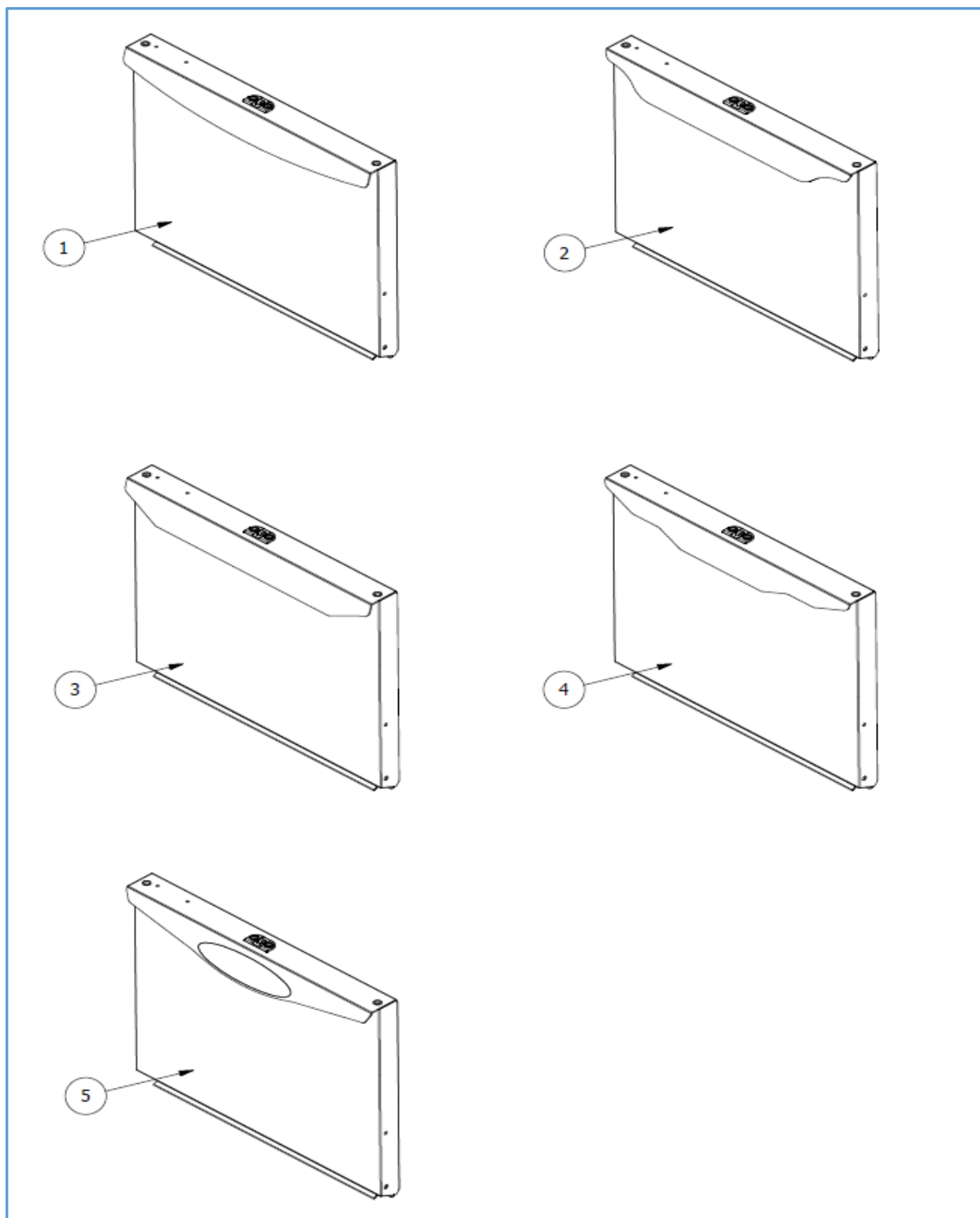


|   |               |             |                  |
|---|---------------|-------------|------------------|
| A | ON-OFF        | ON-OFF      | ON-OFF           |
| B | LAMPADA       | LIGHT       | LIGHT            |
| C | POMPA SCARICO | DRAIN PUMP  | POMPE DE VIDANGE |
| D | START CICLO   | START CYCLE | START CYCLE      |
| E | RISC.A FREDDO | COLD RINSE  | RINÇAGE A FROID  |



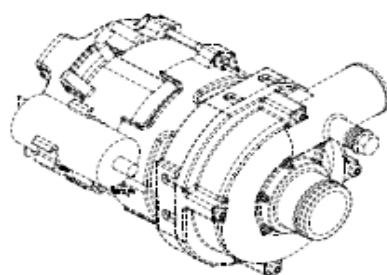
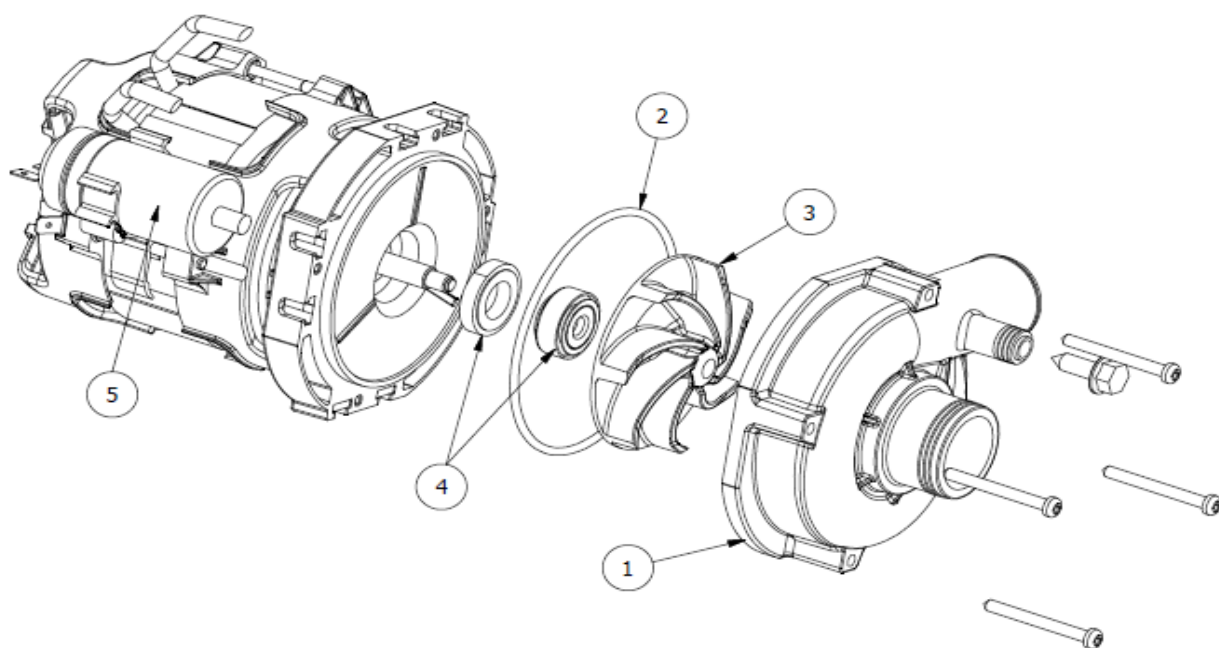
## Onderdelenlijst 7280.0020

| POS: | Art.No.:  | Omschrijving:                        | Aantal: |
|------|-----------|--------------------------------------|---------|
| 1    |           | UPPER COVER ASSY                     |         |
| 2    |           | CM-NA TWO-POLE SWITCH (*)            |         |
| 3    |           | SQ3 BLACK SUPPORT                    |         |
| 4    |           | BLACK EMBOSSED BUTTON WITH INDICATOR |         |
| 5    | 9136.1063 | LIGHT INDICATOR HOLDER (*)           |         |
| 6    | 9136.1069 | 230V TRANSPARENT INDICATOR LIGHT(*)  |         |
| 7    |           | NEUTRAL INDICATOR LIGHT              |         |
| 8    |           | BLACK SQUARE CAP                     |         |
| 8A   |           | BLACK SQUARE CAP-COLD RINSE          |         |
| 8B   |           | NEUTRAL INDICATOR LIGHT -SALT        |         |
| 9    | 9136.1132 | CM-NO PUSH BUTTON (*)                |         |
| 10   |           | Q7 BLACK EMBOSSED BUTTON W/INDICATOR |         |
| 11   |           | Q7 GREEN EMBOSSED BUTTON W/INDICATOR |         |
| 12   |           | NEUTRAL INDICATOR LIGHT              |         |
| 13   |           | INDICATOR                            |         |



## Onderdelenlijst 7280.0020

| POS: | Art.No.: | Omschrijving:    | Aantal: |
|------|----------|------------------|---------|
| 1    |          | DOOR ASSY TYPE 1 |         |
| 2    |          | DOOR ASSY TYPE 2 |         |
| 3    |          | DOOR ASSY TYPE 3 |         |
| 4    |          | DOOR ASSY TYPE 4 |         |
| 5    |          | DOOR ASSY TYPE 5 |         |

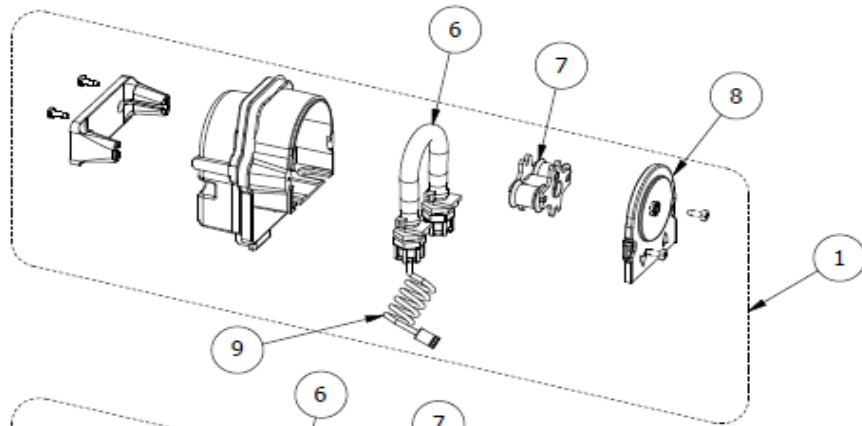


COD. 6001-0003 (230V 50Hz)  
COD. 6001-0007 (230V 60Hz)

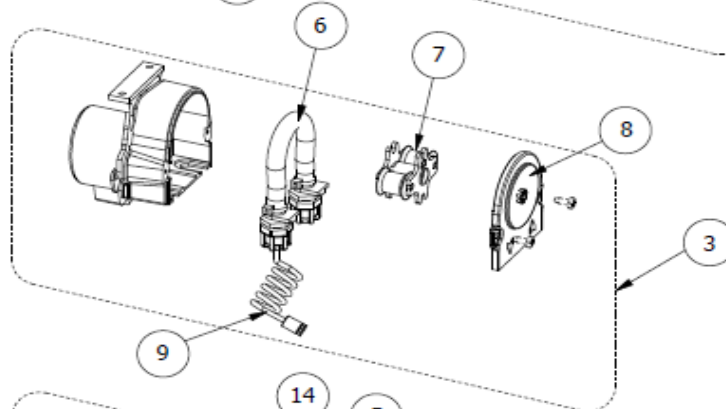
## Onderdelenlijst 7280.0020

| POS: | Art.No.:  | Omschrijving:          | Aantal: |
|------|-----------|------------------------|---------|
| 1    |           | PUMP PLASTIC BODY      |         |
| 2    | 9136.2852 | GASKET                 |         |
| 3    |           | IMPELLER               |         |
| 4    | 9136.2471 | MECHANICAL SEAL ASSY   |         |
| 5    |           | CAPACITOR 12,5 $\mu$ F |         |

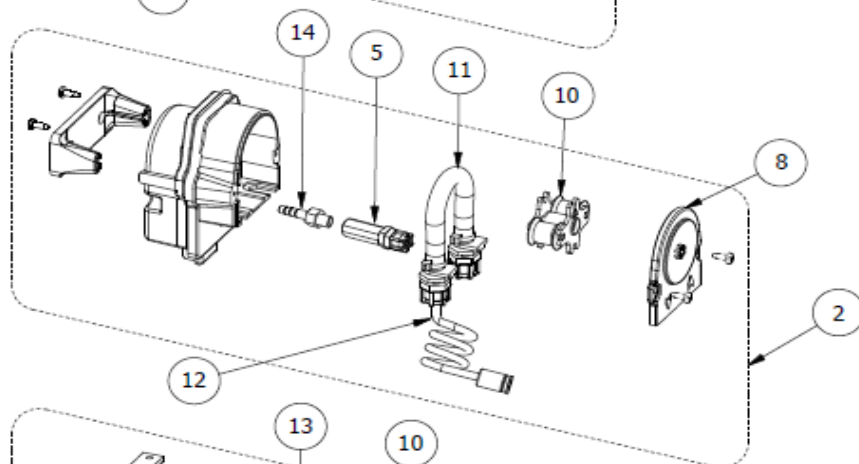
DOS. DETERSIVO REGOLABILE  
DETERGENT DISPENSER ADJUSTABLE



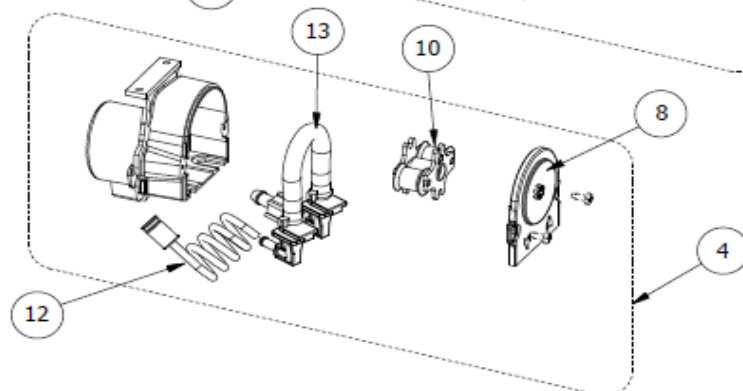
DOS. DETERSIVO FISSO  
FIX DETERGENT DISPENSER



DOS. BRILLANTANTE REGOLABILE  
RINSE-AID DISPENSER ADJUSTABLE



DOS. BRILLANTANTE FISSO  
FIX RINSE-AID DISPENSER



## Onderdelenlijst 7280.0020

| POS: | Art.No.:  | Omschrijving:                                | Aantal: |
|------|-----------|--|---------|
| 1    | 9136.3103 | ADJUSTABLE DETER. DISPENDER 0÷3Lt/h          |         |
| 2    | 9136.3106 | ADJUSTABLE RINSE-AID DISPENDER 0÷0.5Lt/h     |         |
| 3    | 9136.3105 | FIXED DETERGENT DISPENDER 3Lt/h              |         |
| 4    |           | FIXED RINSE-AID DISPENDER 0,5Lt/h            |         |
| 5    | 9136.1750 | NOT RETOURN VALVE FOR RINSE-AID DISP. (*)    |         |
| 6    | 9136.3167 | INTERNAL DETERG. DISPENSER HOSE (*)          |         |
| 7    | 9136.1783 | DETERG. DISPENS. ROLL HOLDERS ASSY (*)       |         |
| 8    |           | COVER ASSY                                   |         |
| 9    | 9136.1361 | DETERG. DISPENS. FILTER ASSY WITH HOSE       |         |
| 10   |           | RINSE-AID DISPENS. ROLL HOLDERS ASSY (*)     |         |
| 11   | 9136.3168 | INTERNAL RINSE-AID DISPENSER HOSE (*)        |         |
| 12   | 9136.1362 | RINSE-AID DISPENSER FILTER ASSY              |         |
| 13   |           | INTERNAL RINSE-AID DISPENSER HOSE WITH VALVE |         |
| 14   |           | STAINLESS STEEL HOSE NIPPLE                  |         |