



**Hand dryer**  
**JET FLOW**

User Manual  
Gebruikershandleiding  
Gebrauchsanweisung  
Le mode d'emploi



# CONTENT

## ENGLISH

1. DESCRIPTION .....	4
2. ADANCE FEATURES .....	4
3. SPECIFICATIONS .....	4
4. SAFETY INFORMATION .....	4
5. UNPACKING / STANDARD ACCESSORIES .....	5
6. INSTALLATION .....	6
7. HOW TO USE .....	6
8. MAINTENANCE AND CLEANING INSTRUCTIONS .....	7
9. DIAGNOSTICS & REMEDIES .....	7
10. LIMITED WARRANTEE .....	7
REPLACE HEPA FILTER AND CLEAN PRE-FILTER .....	8
REPLACE WATER TRAY AND UNINSTALL HAND DRYER FROM WALL .....	8
REPLACE SENSOR DETECTOR & LED LIGHT CIRCUIT BOARD .....	9
REPLACE DISPLAY CIRCUIT BOARD .....	9
OPEN HAND DRYER FRONT COVER .....	10
REPLACE MAIN CIRCUIT BOARD, SENSOR RECEIVER BOARD, MOTOR, HEAT ELEMENT .....	10
HAND DRYER BY BRUSH MOTOR ELECTRIC DIAGRAM .....	11

## NEDERLANDS

1. BESCHRIJVING .....	12
2. KENMERKEN .....	12
3. SPECIFICATIES .....	12
4. VEILIGHEIDSINFORMATIE .....	12
5. UITPAKKEN / STANDAARD ACCESSOIRES .....	13
6. INSTALLATIE .....	14
7. HOE TE GEBRUIKEN .....	14
8. INSTRUCTIES VOOR ONDERHOUD EN REINIGING .....	15
9. DIAGNOSTIEK & OPLOSSINGEN .....	15
10. BEPERKTE GARANTIE .....	16
VERVANG HEPA-FILTER EN REINIG PRE-FILTER .....	16
VERVANG WATERBAK EN VERWIJDER HANDDROGER UIT MUUR .....	17
VERVANG SENSOR DETECTOR & LED LICHT CIRCUIT BESTURING .....	17
VERVANG DISPLAY PRINTPLAAT .....	18
OPEN HANDDROGER VOORKLEP .....	18
VERVANG DE HOOFDCIRCUITKAART, SENSOR ONTVANGERKAART, MOTOR, VERWARMINGSELEMENT .....	19
HANDDROGER MET BORSTELMOTOR ELEKTRISCH DIAGRAM .....	20

## DEUTSCH

1. BESCHREIBUNG.....	21
2. FORTGESCHRITTENE EIGENSCHAFTEN UND MERKMALE .....	21
3. SPEZIFIKATIONEN .....	21
4. SICHERHEITSINFORMATIONEN .....	21
5. AUSPACKEN / SERIENMÄSSIGES ZUBEHÖR.....	23
6. INSTALLATION/MONTAGE .....	24
7. VERWENDUNG DES GERÄTS .....	25
8. WARTUNGS- UND REINIGUNGSANWEISUNGEN.....	25
9. DIAGNOSE & BEHEBUNG .....	26
10. EINGESCHRÄNKTE GARANTIE .....	26
AUSTAUSCH DES HEPA-FILTERS UND REINIGUNG DES VORFILTERS .....	27
HERAUSNEHMEN DER WASSERWANNE UND DEMONTAGE DES HÄNDETROCKNERS VON DER WAND.....	27
AUSTAUSCH DES SENSORERKENNUNGS- & LED-LICHT PLATINE .....	28
AUSTAUSCH DER PLATINE DER ANZEIGE .....	28
ÖFFNEN DER VORDEREN ABDECKUNG DES HÄNDETROCKNERS.....	29
AUSTAUSCH DER HAUPTPLATINE, SENSOREMPFANGSPLATINE, DES MOTORS, HEIZELEMENTS .....	29
HÄNDETROCKNER MIT BÜRSTENMOTOR – ELEKTRISCHER SCHALTPLAN.....	30

## FRANÇAIS

1. DESCRIPTION .....	31
2. FONCTIONNALITÉS AVANCÉES .....	31
3. CARACTÉRISTIQUES .....	31
4. INFORMATION DE SÉCURITÉ.....	31
5. DÉBALLAGE / ACCESSOIRES STANDARD .....	32
6. INSTALLATION .....	33
7. COMMENT L'UTILISER .....	33
8. INSTRUCTIONS D'ENTRETIEN ET DE NETTOYAGE.....	34
9. DIAGNOSTICS ET SOLUTIONS.....	34
10. GARANTIE LIMITÉE.....	35
REMPLENER LE FILTRE HEPA ET NETTOYER LE PRE-FILTRE .....	35
REMPLENER LE PLATEAU D'EAU ET DÉINSTALLER LE SECHE-MAINS DU MUR .....	36
REMPLENER LE DÉTECTEUR DE CAPTEUR ET LA CARTE DE CIRCUIT DE LUMIÈRE DE LED .....	36
REMPLENER LA CARTE DE CIRCUIT D'AFFICHAGE .....	37
COUVERCLE AVANT SECHE-MAINS .....	37
REMPLENER LA CARTE DE CIRCUIT PRINCIPAL, LA CARTE DE RÉCEPTEUR DE CAPTEUR, LE MOTEUR, L'ÉLÉMENT DE CHALEUR .....	38

## 1. DESCRIPTION

The hand dryer is a surface-mounted hand dryer powered by a brushless or brush motor, and delivers 1650 watts of drying power. The dryer incorporates a replaceable HEPA filter and a reused air intake pre-filter. An infrared sensor is used to automatically activate the dryer. The dryer is intended for use in commercial, industrial, office and public facility environment.

## 2. ADANCE FEATURES

THIN design with rapid drying, cost effective and most hygienic.

25Seconds continuous timer protection.

Anti-splash structure design.

Using highly efficient motor to create strong air flow to scrape the water off the hands.

No disposal, storage and labor cost compared with paper towel, only clean once a day.

Clean air by UV sterilization to keep air bacteria free.

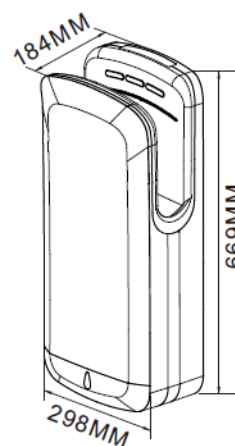
99% of all bacteria filtered by HEPA filter with easy changeable system.

Up to 90% saving compared to paper towel costs.

ECO-friendly product by power saving clean technology and less amount of carbon dioxide.

## 3. SPECIFICATIONS

Voltage:	220V-240V 50/60Hz
Power:	1850W(Heater on)/750W(Heater off)
Air Temperature:	40°C (Room Temp.= 25 °C)
Air Velocity:	100M/S
Air Flow:	150M3/H
Drying Time:	7-9S
Protection Level:	IPXI
Electric Isolation:	CLASS II
Motor:	Brush Motor
Noise(at 1M):	70dB
Cabinet Material:	ABS Plastic
Net Weight:	7.5KGS
Gross Weight:	9.3KGS



## 4. SAFETY INFORMATION

**DANGER** Failure to disconnect the power source before installation or servicing can result in serious injury or death from electric shock. Always disconnect the power source before servicing or installing the hand dryer.

**WARNING** Risk of fire, electric shock, personal injury or property damage are possible if local codes, or safety recommendations are not followed.

- Use only for drying hands and do not use hand dryer for any purpose other than drying hands.
- Carefully follow all instructions for installation on the enclosed installation template/instructions.
- Installation should only be performed by qualified persons in compliance with all applicable national and local codes and standards.
- When cutting or drilling into wall or ceiling, do not damage electrical wiring and other hidden utilities.
- Always connect to a branch circuit with circuit breaker or fuse protection with an electrical rating greater than the model hand dryer's rated amperage.
- Use only the electrical power(voltage and frequency) specified for the model hand dryer being installed.
- Each hand dryer must have a dedicated circuit.
- For indoor use only. Do not use outdoors. Do not expose to rain, sun or extreme temperatures. Do not use near source of water or extreme heat.
- To limit a voltage drop, and insure efficient operation, use of right size wire is required.

- Repair work should only be performed by an authorized electrician.
- This appliance is not intended for use by persons with reduced physical, sensory or mental capabilities, or lack of experience and knowledge, unless they have been given supervision or instruction concerning use of the appliance by a person responsible for their safety.

**WARNING** Risk of fire, electric shock, personal injury or property damage are possible if the following safety precautions are not followed.

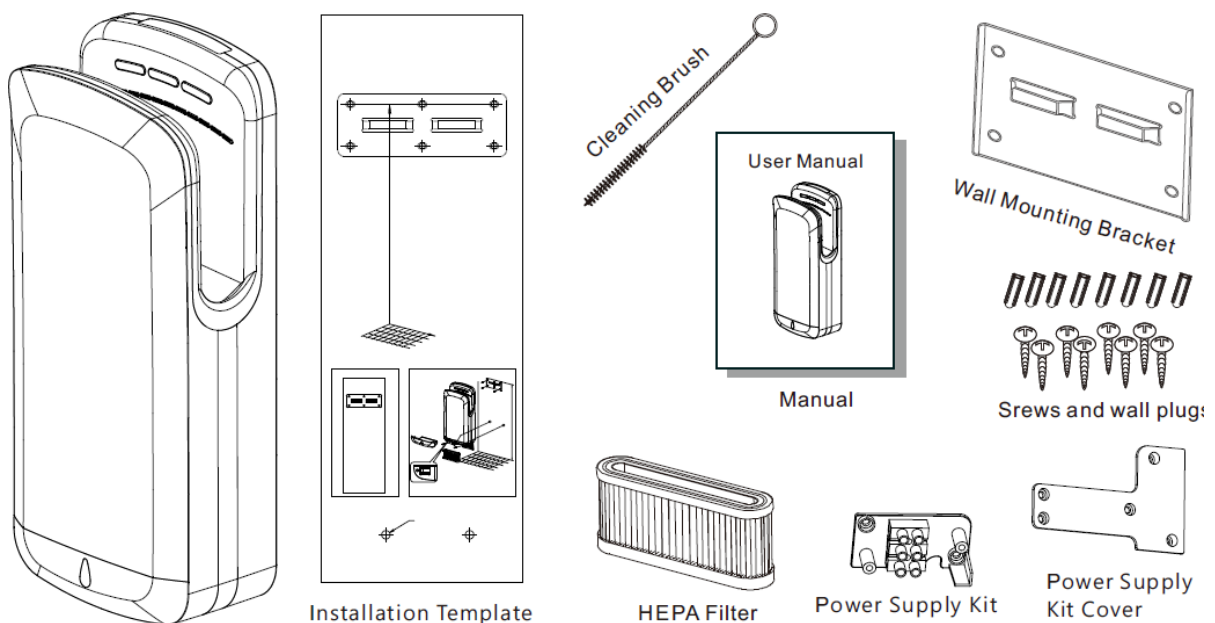
- Repair work should only use genuine replacement parts.
- Do not insert foreign objects in the unit or place heavy objects on the unit.
- Do not use in corrosive environments or explosive atmospheres.
- Do not use in extremely humid locations or near source of water.
- Do not immerse appliance in water or other liquid.
- Children should be supervised not to play with the appliance.

**WARNING** When you dispose of an old appliance or any components, follow any local and national laws on disposal of electronic waste. This appliance must not be disposed together with the domestic waste. This appliance has to be disposed at an authorized place for recycling of electrical and electronic appliances. By collecting and recycling waste, you help save natural resources, and make sure the product is disposed in an environmental friendly and healthy way.

## 5. UNPACKING / STANDARD ACCESSORIES

1. Remove all packing material. Recycling is recommended.
2. Carefully remove the hand dryer from the shipping carton, using care not to drop the appliance.
3. Inspect carefully for any damage that may have occurred during transit. Check for any loose, missing or damaged parts. If the hand dryer is damaged or missing parts, promptly inform the dealer where you purchased it.

Standard items included with the hand dryer are:



## 6. INSTALLATION

**CAUTION** Improper mounting could result in personal injury or property damage.

1. Use the mounting template provided to mark the locations for the 8 screws to attach the wall mounting bracket to the wall.

2. It is recommended that at least 2 of the 6 screws for the unit be fastened into a wall stud or support.

3. To use the hollow wall plugs included with the wall mounting kit, pre-drill the wall in the marked locations using a 6/25" (6mm) drill, insert the wall plugs and tap flush to the wall.

4. Complete the attachment of the wall mounting bracket to the wall with the 6 mounting screws.

5. If the hand dryer supplied with cable & plug then hang it on bracket.

6. If the hand dryer is supplied without cable plug and please open the power supply kit cover on hand dryer back then connect it as follows <Power should be OFF>:

A. Connect the live wire (Coloured Brown, Red, or Black) to the terminal block marked "L".

B. Connect the neutral wire (Coloured Black, Blue) to the terminal block marked "N".

C. Connect the ground wire (Coloured Green & Yellow) to the terminal block marked "E".

Replace power supply kit cover then hang dryer on bracket.

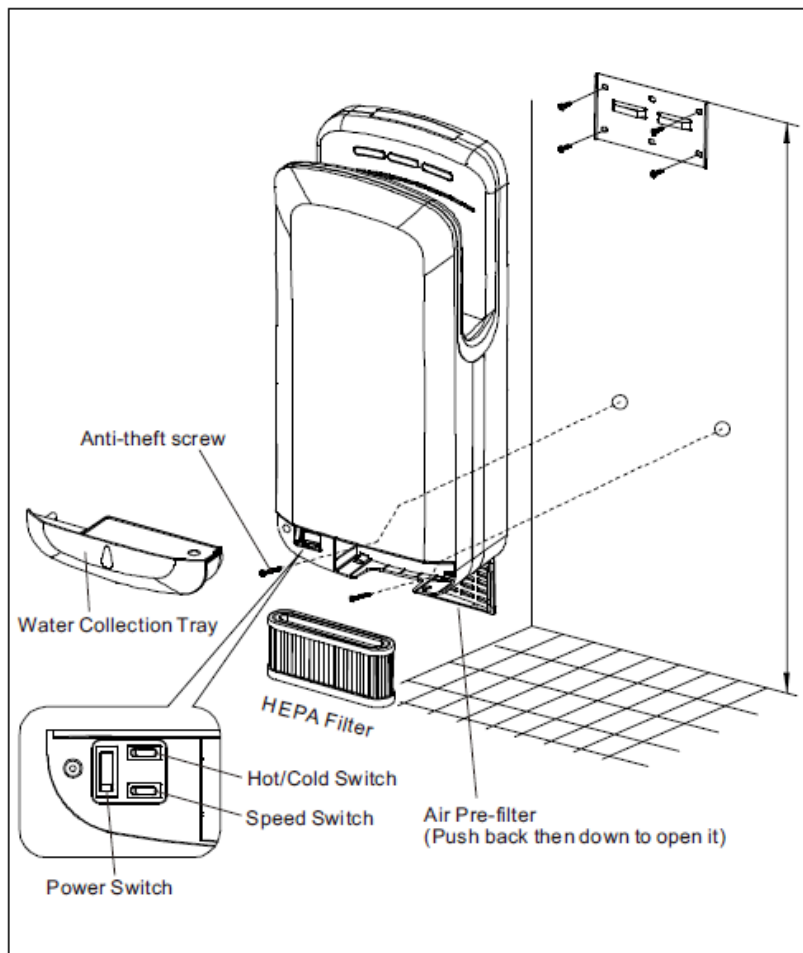
7. Remove the water tray from the bottom of dryer, and complete the attachment of the dryer with left 2 screws.

8. Before replace water tray, there is an option to run the dryer heater On or OFF and air speed High or Low. The switch is clearly marked.

9. Replace the water tray.

10. Open the pre-filter to install the HEPA filter if necessary. HEPA's rubber ring is at the top.

11. Connect plug to power supply socket or turn on power.



## 7. HOW TO USE

1. No-touch operation.

2. There is a blue LED light to guide user to the air flow.

3. The hand dryer will start automatically when hands are inserted.

4. Slowly move your hands up and down through the air stream for 7-10 seconds.

5. The hand dryer will stop automatically after hands are removed.

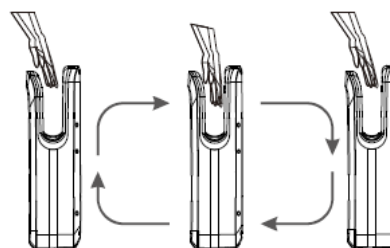
LED Display: The LED display provides information about the operation and servicing needs of the hand dryer.

A. Drying time and welcome diagram

B. Power indicator

C. Air sterilization indicator

D. Self-check indicator



The dryer is equipped with an ON/OFF Power Switch, Speed Control Switch and Hot/Cold Switch for option if desired. The factory default setting for the Power Switch “ON”, Speed Control Switch “HIGH” and Hot/Cold Switch “HOT”. All the switches are located inside the dryer - left side of the water collection tray. To access, remove the water collection tray and it is clearly shown.

## 8. MAINTENANCE AND CLEANING INSTRUCTIONS

**CAUTION on HEPA:** Failure to replace a used / dirty HEPA filter can cause overheating of the hand dryer’s motor or heat element then may invalidate your warranty right. It is recommended to clean it once/week.

1. This hand dryer is equipped with removable intake air pre-filter and a replaceable HEPA filter.
2. Regularly check filter status is required. High traffic may require more frequent replacement of the HEPA filter.
3. The removable intake air pre-filter can be cleaned and re-used.
4. Replacement filters can be purchased through your dealer where you purchased the hand dryer.
5. HEPA filter is recommended to be cleaned by a vacuum cleaner.

**CAUTION on Water Collection Tray:** Regularly check water collection tray’s water level from its front viewer and empty the water. Clean the tray then replace it. Full tray will overflow onto the floor.

### CLEANING

All surfaces of the hand dryer can be cleaned with a soft cloth and no-abrasive, non-caustic cleaning solutions. Provided cleaning brush should be used for cleaning the drain hole in the bottom of the drying cavity.

## 9. DIAGNOSTICS & REMEDIES

SYMPTOM	CORRECTIVE ACTION
Hand dryer fails to start	Check power supply is turned on and the power switch on hand dryer is on. Check for foreign objects in the drying cavity that maybe blocking the sensors. Insert hands a little further into the drying cavity to active sensors.
Hand dryer turns on/off erratically	Clean sensor area inside the drying cavity.
No hot air	Heater is not workable if ambient temperature is more than 25 °C. Check heater fuse or heater assemble isn’t broken.
Low airflow	Turn speed control switch at position of “H”
Hand dryer locked	Hand dryer will be locked by program if voltage changed range is more than 15%. If long time without operation the hand dryer locked. Turn off the hand dryer several minutes then turn it on.

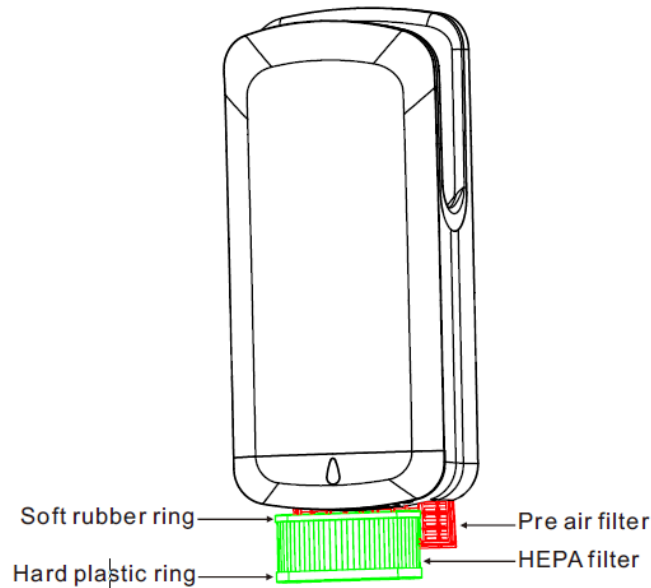
## 10. LIMITED WARRANTY

This hand dryer has a 1year warranty from the date of purchase for any manufacturing defect. It covers replacement of defective parts except when caused by improper use of the hand dryer. This warranty is only valid if the form card has been properly filled up with the vendor stamp. For any warranty claim you should contact your local distributor or manufacturer.

Model: ..... Serial No.: .....  
 Distributor: ..... Customer: .....  
 Address: .....  
 Tel No.: ..... Fax No.: .....  
 Date of purchase: .....  
 For Seller: ..... Signature & Stamp: .....

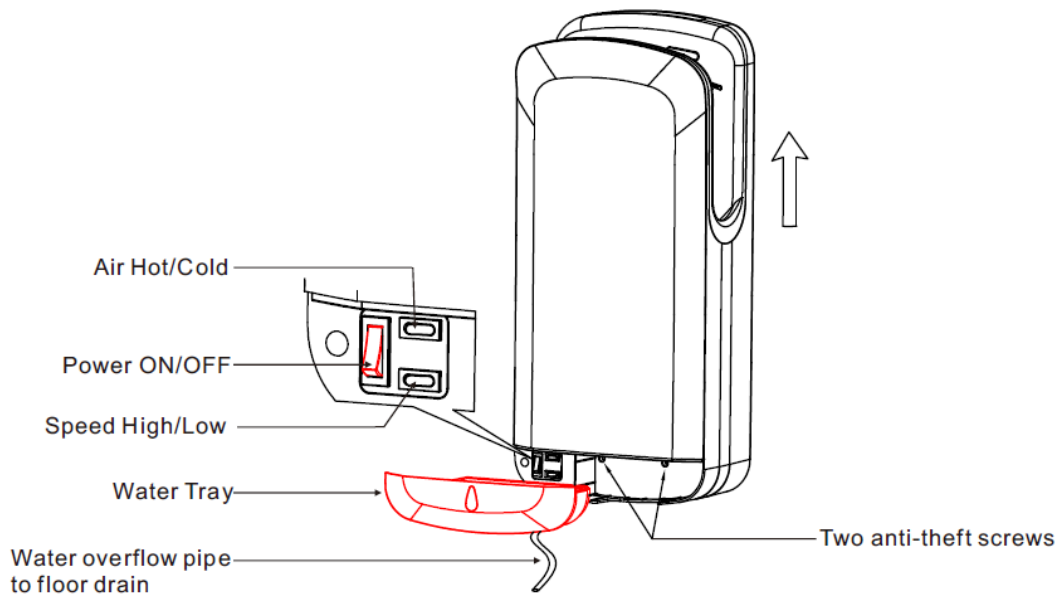
## REPLACE HEPA FILTER AND CLEAN PRE-FILTER

**WARNING: Disconnect power at the breaker or unplug the hand dryer before any servicing & maintenance !**



1. Press back then down to open pre air filter.
2. Take the HEPA filter out. When replacing a new HEPA, be sure that the HEPA's rubber ring is at the top.
3. Clean the dust lint on the pre-filter.

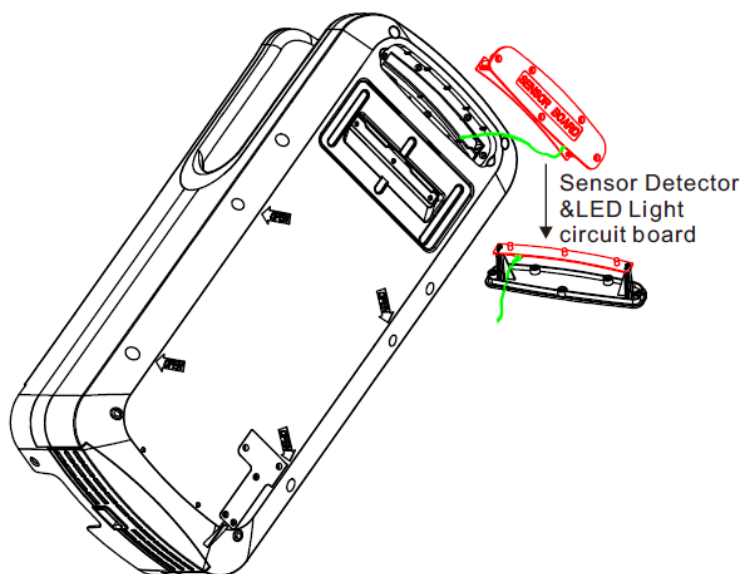
## REPLACE WATER TRAY AND UNINSTALL HAND DRYER FROM WALL



1. If there is a water overflow pipe connected, please move it.
2. Pull front to take the water tray out. Then loosen two anti-theft screws <Only HEPA is moved when re-fixing these two screws>.
3. First pull up then pull front to take hand dryer from wall. Take care, it weighs 11KG.
4. After reinstallation, before replacing water tray, there is an option to run the dryer heater On or OFF and air speed High or Low. The switch is clearly marked.



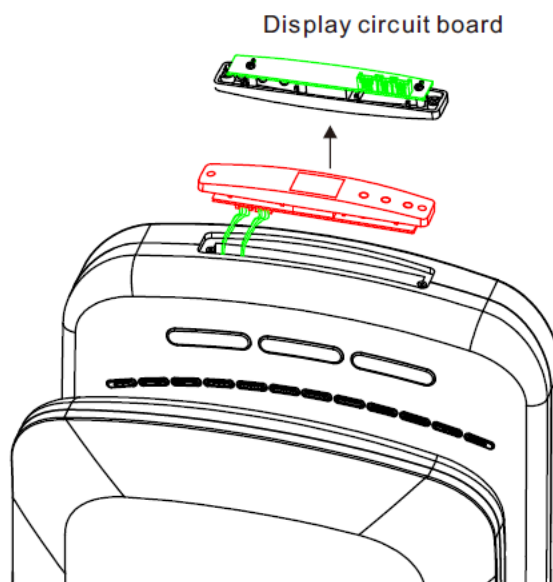
## REPLACE SENSOR DETECTOR & LED LIGHT CIRCUIT BOARD



Replace Sensor Detector & LED Light Circuit Board:

1. Loosen screw on sensor detector & LED light circuit board holder. Use a screwdriver to pull the cover a little to open it.
2. Take cover out lightly and the circuit board will come together ! Be careful there is wire connected on the circuit board.
3. Loosen two screws on circuit board and replace a new one.

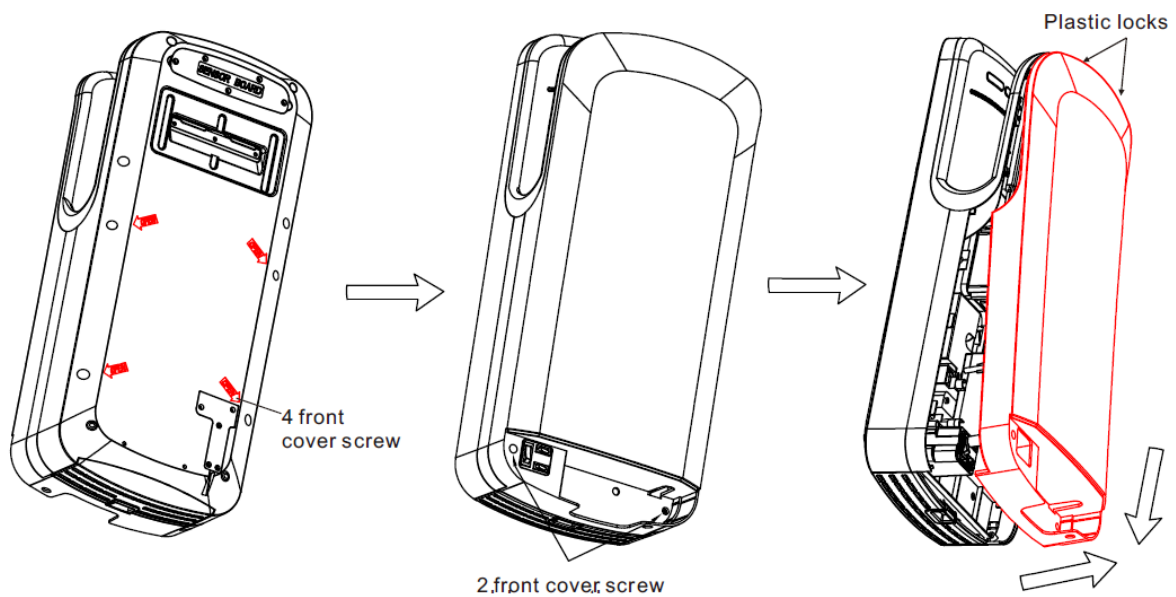
## REPLACE DISPLAY CIRCUIT BOARD



Replace Display Circuit Board:

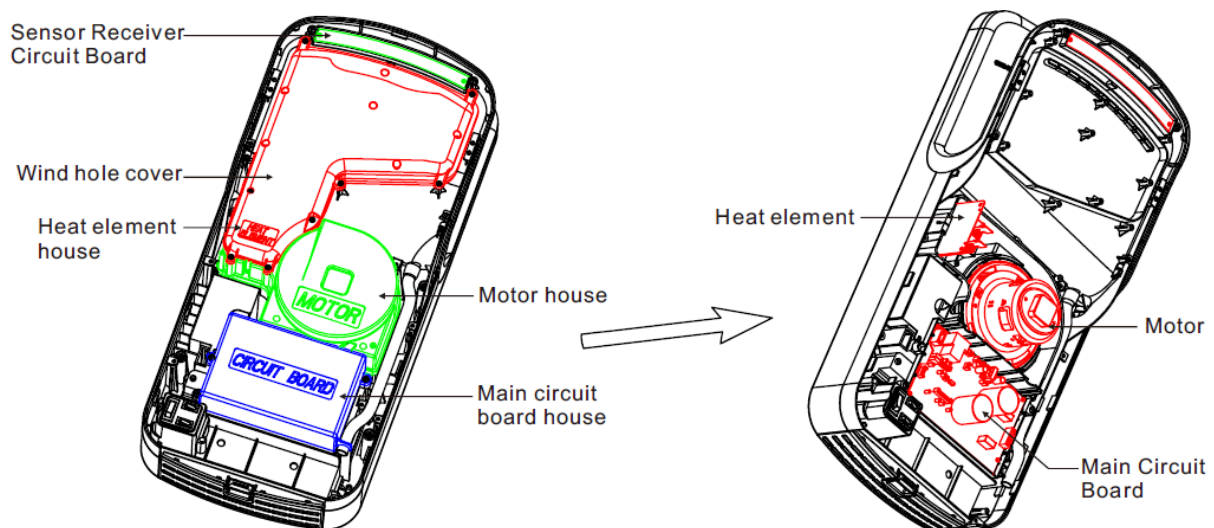
1. Move the sticker away. Be careful not to damage the hand dryer edge as it will affect the surface appearance.
2. Loosen two screws on the timer circuit board holder. Use a screwdriver to pull the holder a little to open it.
3. Take holder out lightly and the circuit board will come together ! Be careful there is wire connected on the circuit board.
4. Loosen two screws on circuit board and replace a new one.
5. After replacing the new circuit board right, it is suggested to use a new sticker for best appearance.

## OPEN HAND DRYER FRONT COVER



1. Loosen 4 front cover screws on hand dryer back base as the arrow marked.
2. Loosen 2 front cover screws on the hand dryer front & bottom.
3. Pull the front cover up then back a little to take it.
4. Pull the cover slowly and slightly because there are plastic locks on the top side.
5. Please do not damage the top side plastic locks because it is used to fix the front cover well on the base.

## REPLACE MAIN CIRCUIT BOARD, SENSOR RECEIVER BOARD, MOTOR, HEAT ELEMENT



**Replace Main Circuit Board:** Move marked circuit board house cover and replace a new circuit board.

**Replace Sensor Receiver circuit board:** .Move marked circuit board screw and replace a new one.

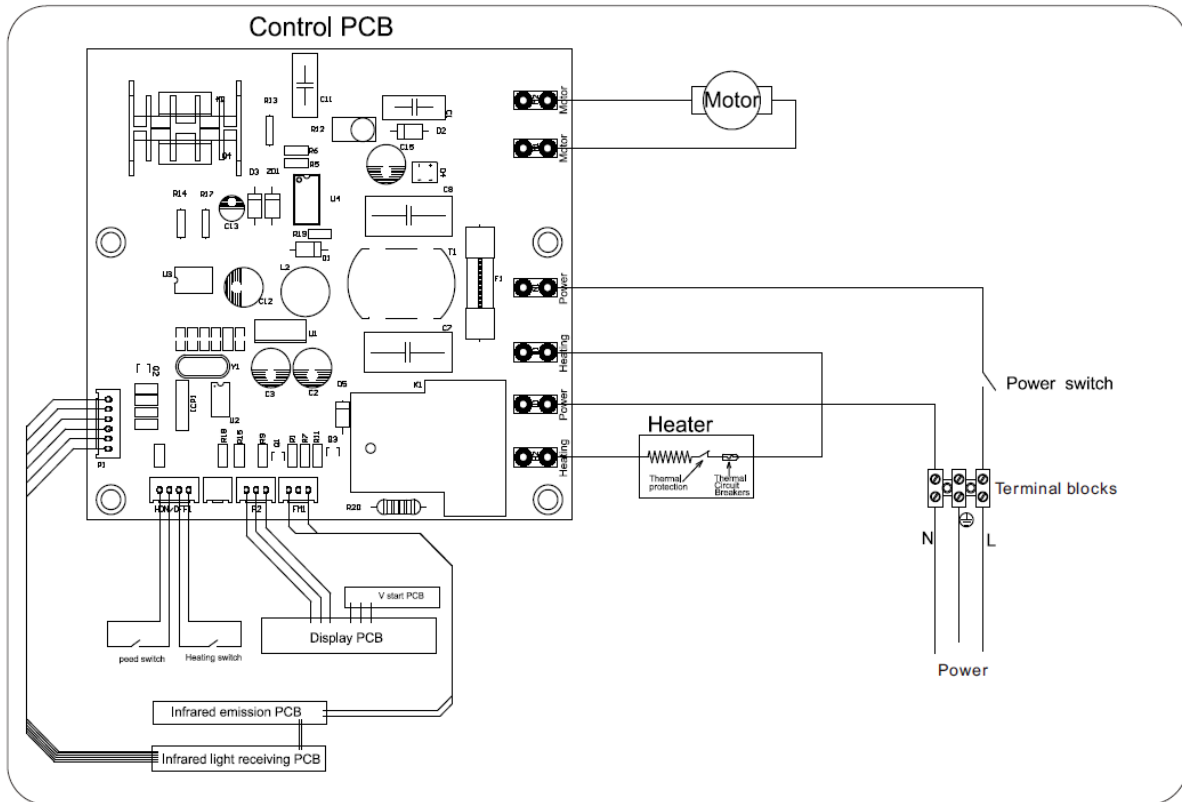
### Replace Heat Element:

1. Move marked wind hole cover. Take the heat element out then replace a new one.
2. Replace wind hole cover. Be sure the air seal rubber at right location to avoid wind leakage.

### Replace Motor:

1. Move marked wind hole cover and motor cover. Take the motor out and then replace a new motor.
2. Replace motor cover. Be sure the motor protection rubber & foam, air seal rubber at right location.
3. Replace wind hole cover. Be sure the air seal rubber at right location to avoid wind leakage.

## HAND DRYER BY BRUSH MOTOR ELECTRIC DIAGRAM



## 1. BESCHRIJVING

De handendroger is een aan het oppervlak gemonteerde handendroger aangedreven door een borstelloze of borstelmotor en levert 1650 watt aan droogvermogen. De droger heeft een vervangbaar HEPA-filter en een voorfilter voor hergebruik van luchtinlaat. Een infraroodsensor wordt gebruikt om de droger automatisch te activeren. De droger is bedoeld voor gebruik in commerciële, industriële, kantoor- en openbare omgevingen.

## 2. KENMERKEN

DUN ontwerp met snel drogen, kostenbesparend en meest hygiënisch.

25 seconden continue timerbeveiliging.

Anti-spatstructuurontwerp.

Met behulp van een zeer efficiënte motor om een sterke luchtstroom te creëren om het water van de handen te schrapen.

Geen verwijderings-, opslag- en arbeidskosten in vergelijking met papieren handdoeken, maar slechts eenmaal per dag reinigen.

Schone lucht door UV-sterilisatie om luchtbacteriën vrij te houden.

99% van alle bacteriën gefilterd door HEPA-filter met eenvoudig verwisselbaar systeem.

Tot 90% besparing in vergelijking met de kosten voor papieren handdoeken.

Milieuvriendelijk product door energiebesparende schone technologie en minder hoeveelheid koolstofdioxide.

## 3. SPECIFICATIES

Voltage: 220V-240V 50/60Hz

Vermogen: 1850W(Heater aan)/750W(Heater uit)

Luchttemperatuur: 40°C(Kamertemp.= 25°C)

Luchtsnelheid: 100M/S

Luchtstroom: 150M<sup>3</sup>/H

Droogtijd: 7-9S

Beschermingsniveau: IPX1

Elektrische isolatie: KLASSE II

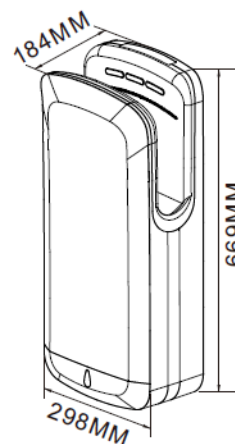
Motor: Borstelmotor

Ruis(at 1M): 70dB

Kastmateriaal: ABS Plastic

Netto gewicht: 7.5KGS

Brutogewicht: 9.3KGS



## 4. VEILIGHEIDSINFORMATIE

**GEVAAR** Het niet-uitschakelen van de stroombron voor installatie of onderhoud kan leiden tot ernstig letsel of dood door een elektrische schok. Koppel altijd de stroombron los voordat u de handendroger bedient of installeert.

**WAARSCHUWING** Risico op brand, elektrische schokken, lichamelijk letsel of schade aan eigendommen zijn mogelijk als lokale codes of veiligheidsaanbevelingen niet worden opgevolgd.

- Gebruik alleen voor het drogen van de handen en gebruik de handdroger niet voor andere doeleinden dan het drogen van de handen.
- Volg zorgvuldig alle instructies voor installatie op de bijgevoegde installatiesjabloon / -instructies.
- Installatie mag alleen worden uitgevoerd door gekwalificeerde personen in overeenstemming met alle van toepassing zijnde nationale en lokale codes en normen.
- Bij het snijden of boren in de muur of het plafond, de elektrische bedrading en andere verborgen utilities niet beschadigen.
- Sluit altijd aan op een aftakcircuit met stroomonderbreker of zekeringbescherming met een elektrische classificatie die hoger is dan de nominale stroomsterkte van het model handdroger.

- Gebruik alleen de elektrische voeding (spanning en frequentie) die is gespecificeerd voor de model handdroger die wordt geïnstalleerd.
- Elke handdroger moet een eigen circuit hebben.
- Alleen voor gebruik binnenshuis. Gebruik het niet buitenshuis. Niet blootstellen aan regen, zon of extreme temperaturen. Niet gebruiken in de buurt van een bron van water of extreme hitte.
- Om een spanningsverlies te beperken en een efficiënte werking te garanderen, is het gebruik van kabels van de juiste grootte vereist.
- Reparatiewerkzaamheden mogen alleen worden uitgevoerd door een bevoegd elektricien.
- Dit apparaat is niet bedoeld voor gebruik door personen met beperkte fysieke, sensorische of mentale capaciteiten, of een gebrek aan ervaring en kennis, tenzij ze toezicht hebben gehouden of instructies hebben gegeven over het gebruik van het apparaat door een persoon die verantwoordelijk is voor hun veiligheid.

**WAASCHUWING** Kans op brand, elektrische schokken, lichamelijk letsel of materiële schade is mogelijk als de volgende veiligheidsmaatregelen niet worden opgevolgd.

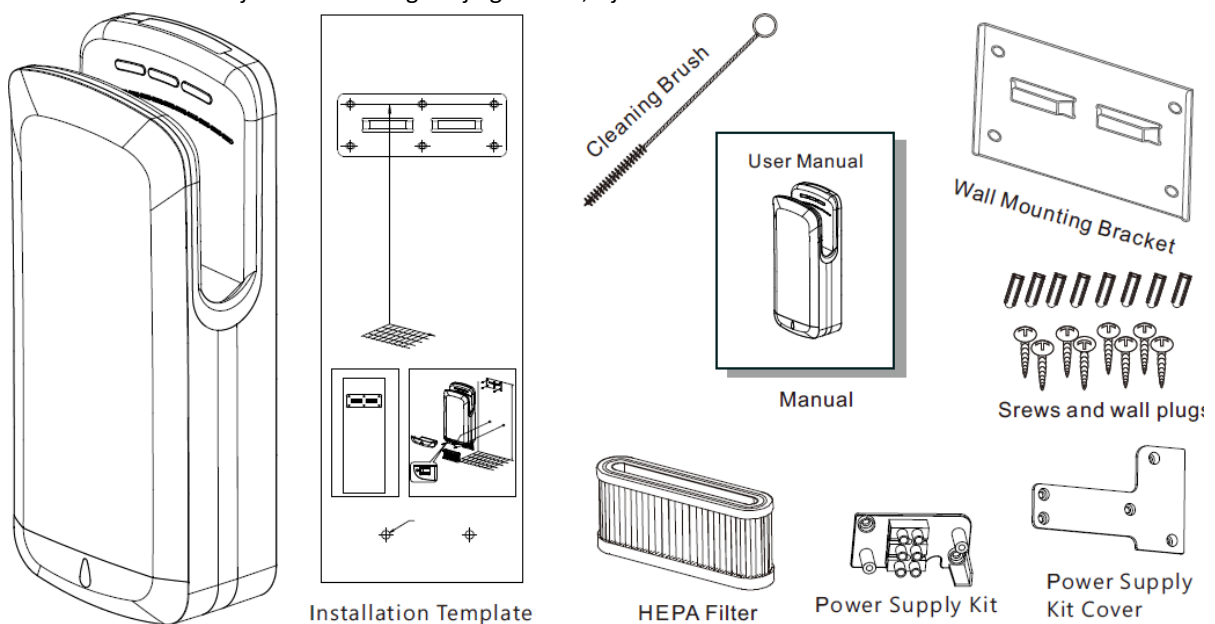
- Reparatiewerkzaamheden mogen alleen originele reserveonderdelen gebruiken.
- Steek geen vreemde voorwerpen in het apparaat en plaats geen zware voorwerpen op het apparaat.
- Niet gebruiken in corrosieve omgevingen of explosieve omgevingen.
- Niet gebruiken op extreem vochtige locaties of in de buurt van een bron van water.
- Dompel het apparaat niet onder in water of een andere vloeistof.
- Houd toezicht op kinderen om niet met het apparaat te spelen.

**WAARSCHUWING** Wanneer u een oud apparaat of onderdelen weggooit, moet u zich houden aan alle lokale en nationale wetten voor de verwijdering van elektronisch afval. Dit apparaat mag niet samen met het huisvuil worden weggegooid. Dit apparaat moet worden afgevoerd naar een erkende plaats voor recycling van elektrische en elektronische apparaten. Door afval te verzamelen en te recyclen, helpt u natuurlijke bronnen te sparen en zorgt u ervoor dat het product op een milieuvriendelijke en gezonde manier wordt weggegooid.

## 5. UITPAKKEN / STANDAARD ACCESSOIRES

1. Verwijder al het verpakkingsmateriaal. Recycling wordt aanbevolen.
2. Haal de handdroger voorzichtig uit de doos en zorg ervoor dat u het apparaat niet laat vallen.
3. Inspecteer zorgvuldig op eventuele schade die is ontstaan tijdens het transport. Controleer op losse, ontbrekende of beschadigde onderdelen. Als de handdroger is beschadigd of onderdelen missen, moet u de dealer waar u hem hebt gekocht onmiddellijk laten weten.

Standaard items die bij de handdroger zijn geleverd, zijn:



## 6. INSTALLATIE

**OPGELET** Onjuiste montage kan leiden tot persoonlijk letsel of schade aan eigendommen.

1. Gebruik de meegeleverde montagesjabloon om de locaties voor de 8 schroeven te markeren om de wandmontagebeugel aan de muur te bevestigen.

2. Aanbevolen wordt om ten minste 2 van de 6 schroeven voor de unit in een muurstijl of steun te bevestigen.

3. Om de holle wandpluggen te gebruiken die bij de wandbevestigingsset zijn geleverd, boort u de muur voorboren op de gemarkeerde plaatsen met behulp van een boor van 6 mm (6/25 "), steekt u de muurpluggen in en tikt u gelijk tegen de muur.

4. Maak de bevestiging van de wandmontagebeugel aan de muur af met de 6 bevestigingsschroeven.

5. Als de handdroger is voorzien van een kabel en stekker, hang hem dan op de beugel.

6. Als de handdroger zonder kabelstekker wordt geleverd en open dan de afdekking van de voedingseenheid op de handdroger en sluit deze vervolgens als volgt aan.  
<Stroom moet UIT> zijn:

A. Sluit de stroomdraad (gekleurd bruin, rood of zwart) aan op het klemmenblok gemarkeerd met "L".

B. Sluit de nulleider (gekleurd zwart, blauw) aan op het klemmenblok gemarkeerd met "N".

C. Sluit de aardingsdraad (gekleurd groen en geel) aan op het klemmenblok gemarkeerd met "E".

Vervang het deksel van de voedingseenheid en hang de droger op de beugel.

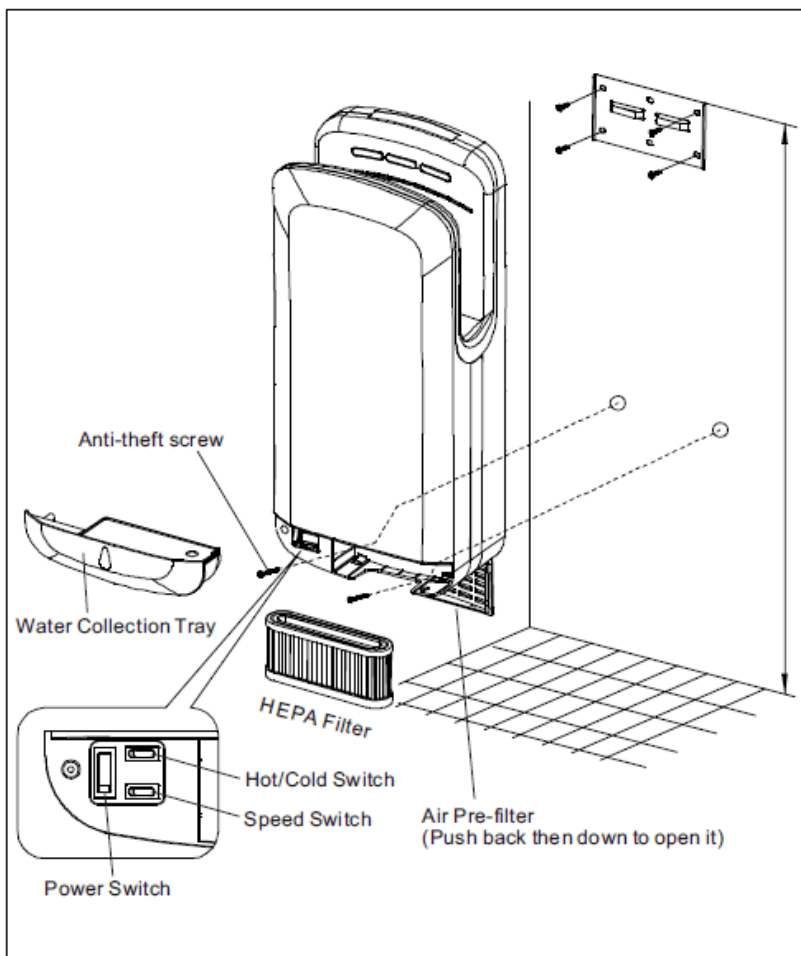
7. Verwijder de waterbak van de onderkant van de droger en voltooi de bevestiging van de droger met de linker 2 schroeven.

8. Voordat u de waterbak vervangt, is er een optie om de droogautomaat AAN of UIT te zetten en luchtsnelheid Hoog of Laag in te stellen. De schakelaar is duidelijk gemarkeerd.

9. Plaats de waterbak terug.

10. Open het voorfilter om zo nodig het HEPA-filter te installeren. De rubberen ring van HEPA is aan de bovenkant.

11. Sluit de stekker aan op de voedingsaansluiting of schakel de voeding in.



## 7. HOE TE GEBRUIKEN

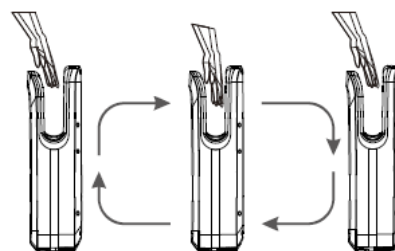
1. No-touch bediening.

2. Er is een blauw LED-lampje om de gebruiker naar de luchtstroom te leiden.

3. De handdroger wordt automatisch gestart wanneer de handen worden geplaatst.

4. Beweeg je handen langzaam op en neer door de luchtstroom voor 7-10 seconden.

5. De handdroger stopt automatisch nadat de handen zijn verwijderd.



LED-display: het LED-display geeft informatie over de werking en onderhoudsbehoeften van de handdroger.

- A. Droogtijd en welkomstdiagram                      B. Stroomindicator  
C. Indicator luchtsterilisatie                          D. Indicator zelfcontrole

De droger is uitgerust met een aan / uit-schakelaar, snelheidsregelaar en warm / koud-schakelaar voor optie indien gewenst. De standaardinstelling voor de aan / uit-schakelaar "ON", de snelheidsregelingsschakelaar "HIGH" en de hot / cold-schakelaar "HOT". Alle schakelaars bevinden zich in de droger - linkerkant van de wateropvangbak. Om toegang te krijgen, verwijdert u de wateropvangbak en wordt deze duidelijk weergegeven.

## 8. INSTRUCTIES VOOR ONDERHOUD EN REINIGING

**OPGELET met HEPA:** het niet vervangen van een gebruikte / vuile HEPA-filter kan oververhitting van de motor of het verwarmingselement van de handdroger veroorzaken en kan vervolgens uw recht op garantie ongeldig maken. Het wordt aanbevolen om het eenmaal / week schoon te maken.

1. Deze handdroger is uitgerust met een verwijderbaar voorfilter voor inlaatlucht en een vervangbaar HEPA-filter.
2. Controleer regelmatig de filter status. Veel verkeer kan een frequenter vervanging van het HEPA-filter vereisen.
3. Het verwijderbare voorfilter voor inlaatlucht kan worden gereinigd en opnieuw worden gebruikt.
4. Vervangende filters kunnen worden gekocht bij uw dealer waar u de handdroger hebt gekocht.
5. HEPA-filter wordt aanbevolen voor reiniging door een stofzuiger.

**OPGELET met Water Opvangbak:** controleer regelmatig het waterniveau van de wateropvangbak van de frontviewer en leeg het water. Reinig de lade en plaats deze terug. Volledige lade zal overlopen op de vloer.

### REINIGING

Alle oppervlakken van de handdroger kunnen worden gereinigd met een zachte doek en niet-schurende, niet-bijtende reinigungsoplossingen. De meegeleverde reinigungsborstel moet worden gebruikt voor het reinigen van de afvoeropening in de bodem van de droogruimte.

## 9. DIAGNOSTIEK & OPLOSSINGEN

SYMPTOOM	CORRECTIVE ACTION
Handdroger start niet	Controleer of de voeding is ingeschakeld en de aan / uit-schakelaar op de handdroger is ingeschakeld. Controleer op vreemde voorwerpen in de droogruimte die de sensoren kunnen blokkeren. Steek de handen iets verder in de droogruimte naar actieve sensoren.
Handdroger schakelt onregelmatig aan / uit	Reinig het sensorgedeelte in de droogruimte.
Geen hete lucht	Verwarming is niet werkbaar als de omgevingstemperatuur hoger is dan 25 °C. Controleer of de verwarmingszekering of het verwarmingselement niet gebroken is.
Lage luchtstroom	Draai de snelheidsregelaar op de positie "H"
Handdroger vergrendeld	Handdroger wordt vergrendeld door programma als het veranderde voltagebereik meer is dan 15%. Als het apparaat lange tijd niet is gebruikt, is de handdroger vergrendeld. Schakel de handdroger enkele minuten uit en schakel hem in.

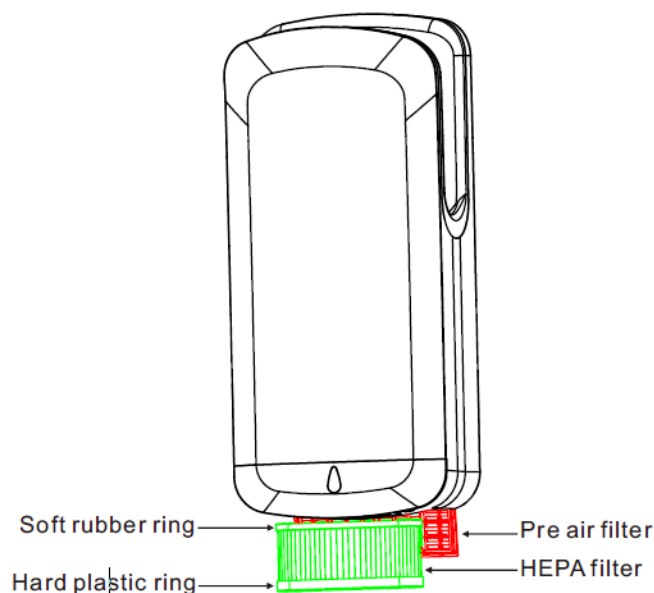
## 10. BEPERKTE GARANTIE

Deze handdroger heeft een garantie van 1 jaar vanaf de aankoopdatum op een fabricagefout. Het heeft betrekking op de vervanging van defecte onderdelen, behalve wanneer dit wordt veroorzaakt door onjuist gebruik van de handdroger. Deze garantie is alleen geldig als de formulierkaart correct is ingevuld met de stempel van de leverancier. Neem voor eventuele garantiereclams contact op met uw lokale distributeur of fabrikant.

Model: ..... Serienr.: .....  
Verdeler: ..... Klant: .....  
Adres: .....  
Telefoonnr.: ..... Faxnr.: .....  
Aankoopdatum: .....  
Voor verkoper: ..... Handtekening & Stempel: .....

## VERVANG HEPA-FILTER EN REINIG PRE-FILTER

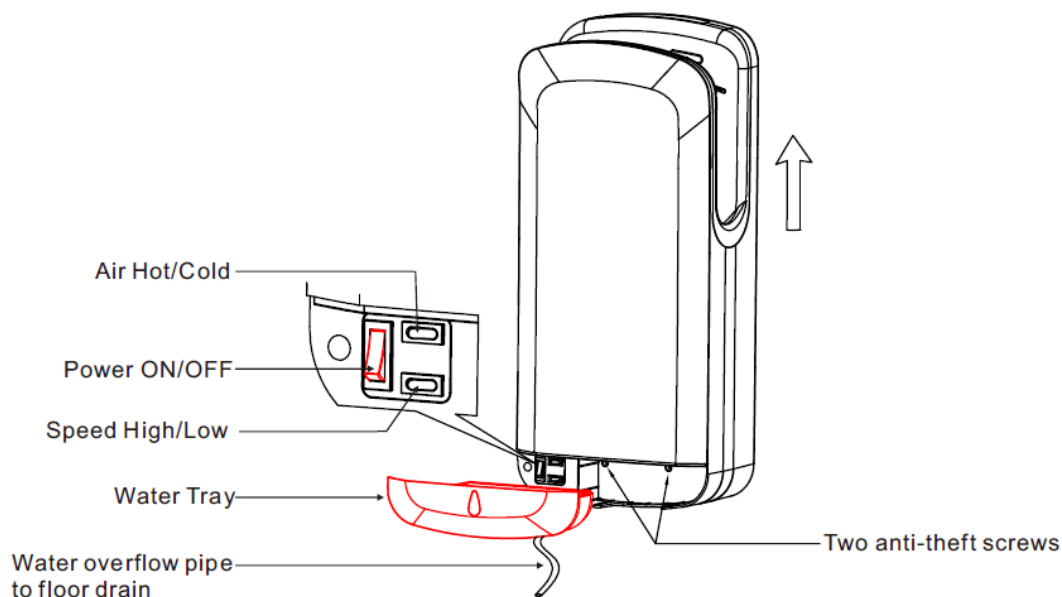
**WAARSCHUWING:** Ontkoppel de stroomtoevoer naar de stroomonderbreker of haal de stekker van de handdroger eruit voor onderhoud en service!



1. Druk naar achteren en naar beneden om de voorfilter te openen.
2. Haal de HEPA-filter eruit. Zorg er bij het vervangen van een nieuwe HEPA voor dat de rubberen ring van de HEPA bovenaan zit.
3. Reinig het stofpluis op het voorfilter.

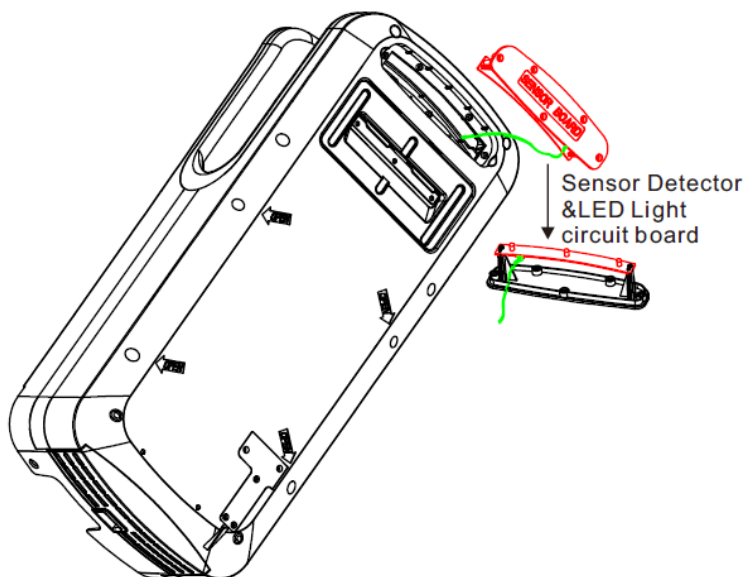


## VERVANG WATERBAK EN VERWIJDER HANDDROGER UIT MUUR



1. Als er een wateroverloopleiding is aangesloten, verplaats deze dan.
2. Trek aan de voorkant om het waterbakje eruit te halen. Draai vervolgens twee antidiefstalschroeven los <Alleen HEPA wordt verplaatst bij het opnieuw bevestigen van deze twee schroeven>.
3. Trek eerst omhoog en trek vervolgens aan de voorkant om de handdroger uit de muur te halen. Pas op, het weegt 11kg.
4. Na herinstallatie, voordat u de waterbak vervangt, is er een optie om de droogautomaat AAN of UIT te zetten en luchtsnelheid Hoog of Laag in te stellen. De schakelaar is duidelijk gemarkeerd.

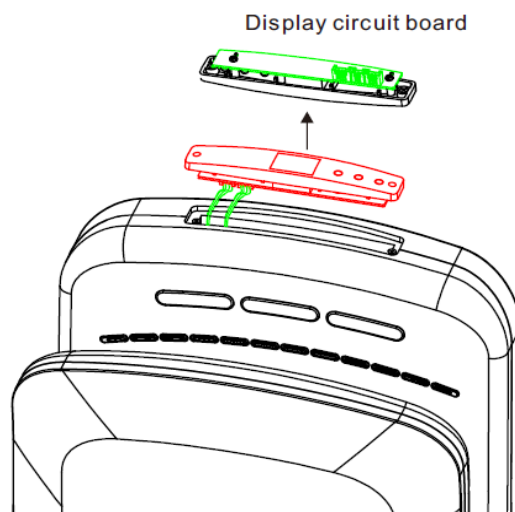
## VERVANG SENSOR DETECTOR & LED LICHT CIRCUIT BESTURING



Vervang Sensor Detector & LED Light Circuit Board:

1. Draai de schroef op de sensordetector en de LED-lichtkaarthouder los. Gebruik een schroevendraaier om het deksel een beetje te trekken om het te openen.
2. Neem een lichte dekking en de printplaat zal samenkomen! Wees voorzichtig dat er draad op de printplaat is aangesloten.
3. Draai twee schroeven op de printplaat los en vervang een nieuwe.

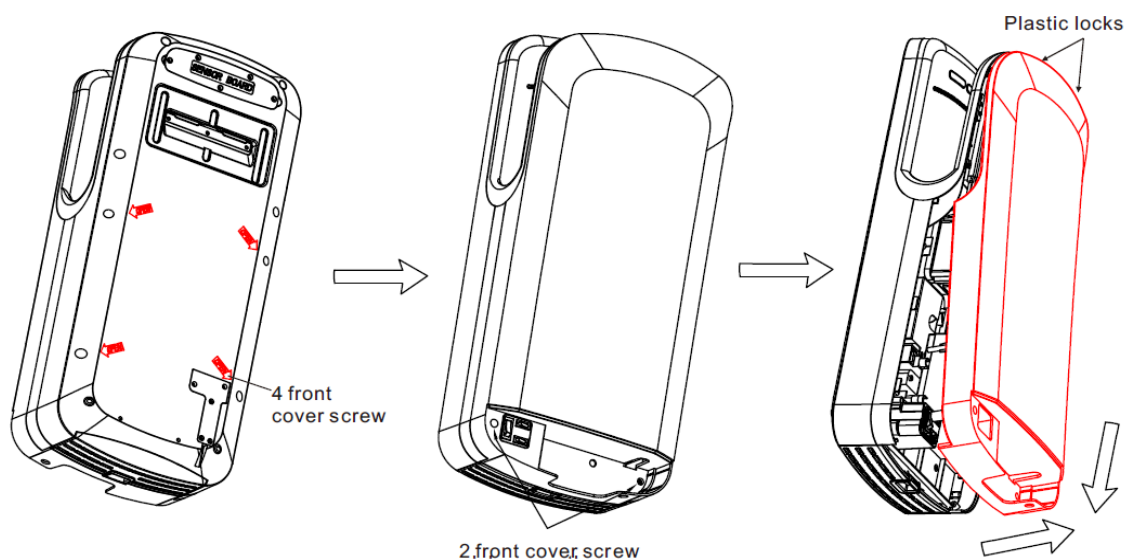
## VERVANG DISPLAY PRINTPLAAT



Vervang de display printplaat:

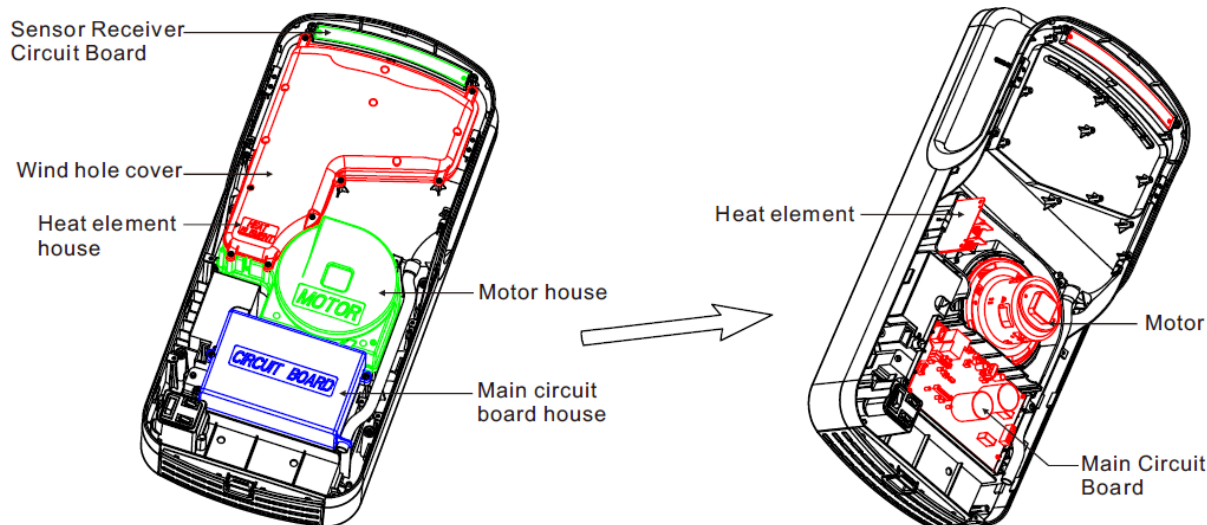
1. Verplaats de sticker weg. Pas op dat u de rand van de handdroger niet beschadigt, aangezien dit het uiterlijk van het oppervlak nadelig beïnvloedt.
2. Draai de twee schroeven op de houder van de timerprintplaat los. Gebruik een schroevendraaier om de houder iets te trekken om hem te openen.
3. Haal de houder er voorzichtig uit en de printplaat komt samen! Wees voorzichtig dat er draad op de printplaat is aangesloten.
4. Draai twee schroeven op de printplaat los en vervang een nieuwe.
5. Na het vervangen van de nieuwe printplaat rechts, wordt voorgesteld om een nieuwe sticker te gebruiken voor de beste uitstraling.

## OPEN HANDDROGER VOORKLEP



1. Draai de 4 schroeven van het voorpaneel los op de achterplaat van de handdroger terwijl de pijl is aangegeven.
2. Draai de 2 schroeven van het voorpaneel op de voorkant en onderkant van de handdroger los.
3. Trek de voorklep omhoog en vervolgens een beetje terug om hem te pakken.
4. Trek het deksel langzaam en enigszins naar voren, want er zijn plastic sluitingen aan de bovenzijde.
5. Beschadig de kunststof sluisen aan de bovenzijde niet, want deze worden gebruikt om de voorklep goed op de voet te bevestigen.

## VERVANG DE HOOFDCIRCUITKAART, SENSOR ONTVANGERKAART, MOTOR, VERWARMINGSELEMENT



**Hoofdcircuitkaart vervangen:** verplaats de gemarkeerde behuizing van de printplaat en vervang een nieuwe printplaat.

**Vervang de printplaat van de sensor:** verplaats de gemarkeerde printplaat Schroef en vervang met een nieuwe.

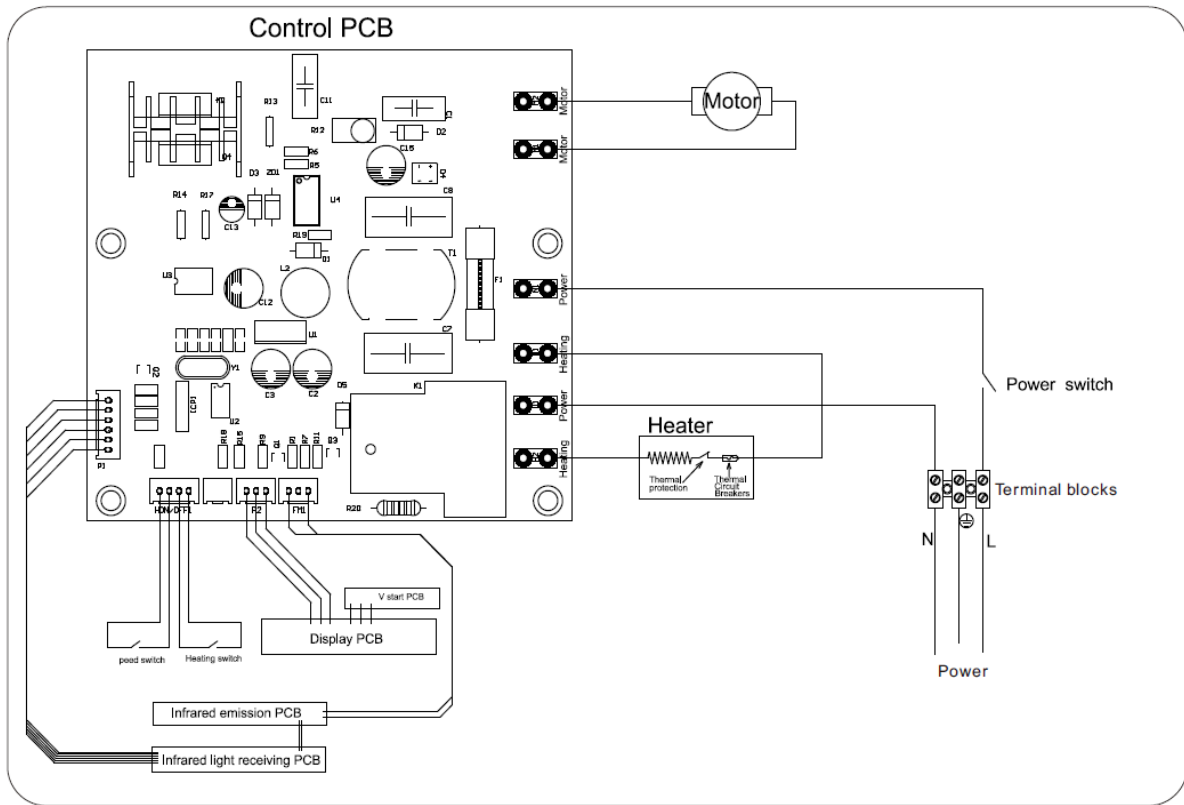
### Verwarmingselement vervangen:

1. Verplaats de gemarkeerde afdekking van het windgat. Haal het verwarmingselement eruit en vervang een nieuw element.
2. Vervang de afdekking van het windgat. Zorg dat het rubber van de luchtdichting op de juiste plaats zit om windlekkage te voorkomen.

### Vervang Motor:

1. Verplaats de gemarkeerde afdekking van het windgat en de motorafdekking. Haal de motor eruit en vervang een nieuwe motor.
2. Vervang het motordeksel. Zorg dat de motorbescherming rubber en schuim, luchtdichtingsrubber op de juiste plaats.
3. Vervang de afdekking van het windgat. Zorg dat het rubber van de luchtdichting op de juiste plaats zit om windlekkage te voorkomen.

# HANDDROGER MET BORSTELMOTOR ELEKTRISCH DIAGRAM



## 1. BESCHREIBUNG

Beim Händetrockner handelt es sich um einen Händetrockner für die Aufputz-Montage und wird von einem bürstenlosen Motor oder Bürstenmotor mit einer Trockenleistung von 1.650 Watt angetrieben. Der Trockner umfasst einen austauschbaren HEPA-Filter und einen wiederverwendbaren Vorfilter für die Luftansaugung. Für das automatische Einschalten des Trockners wird ein Infrarot-Sensor verwendet. Der Trockner ist für den Einsatz in einer gewerblichen, industriellen Umgebung, im Büro und in öffentlichen Einrichtungen geeignet.

## 2. FORTGESCHRITTENE EIGENSCHAFTEN UND MERKMALE

FLACHES Design mit schneller Trocknung, kosteneffizient und sehr hygienisch.

25 Sekunden fortlaufenden Timerschutzes.

Strukturdesign für den Schutz vor Wasserspritzern.

Einsatz eines sehr effizienten Motors, um eine starke Luftströmung zu erzeugen, um das Wasser von den Händen zu blasen.

Keine Entsorgungs-, Lager- und Arbeitskosten verglichen mit einem Papiertuch, muss nur einmal pro Tag gereinigt werden.

Saubere Luft durch UV-Sterilisation, um die Luft bakterienfrei zu halten.

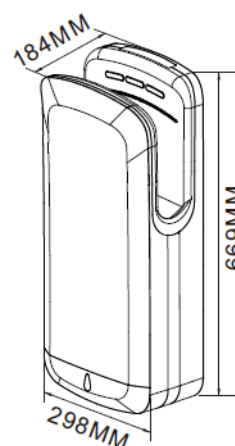
99% sämtlicher Bakterien werden vom HEPA-Filter mit einem einfachen Wechselsystem herausgefiltert.

Bis zu 90% Einsparung verglichen mit den Kosten für Papierhandtücher.

ECO-freundliches Produkt durch stromsparende, saubere Technologie und eine geringe Menge von Kohlendioxid.

## 3. SPEZIFIKATIONEN

Spannung:	220V-240V 50/60Hz
Leistung:	1850W(Heizung ein)/750W(ausgeschalteter Heizung)
Lufttemperatur:	40°C (Raumtemperatur= 25°C)
Luftgeschwindigkeit:	100 m/s
Luftstrom:	150 m³/h
Trockendauer:	7-9 s
Schutzklasse:	IPXI
Elektrische Isolierung:	CLASS II
Motor:	Bürstenmotor
Geräuschpegel (in 1 m):	70 dB
Gehäusematerial:	ABS-Kunststoff
Nettogewicht:	7,5 kg
Bruttogewicht:	9,3 kg



## 4. SICHERHEITSINFORMATIONEN

**GEFAHR** Falls vor der Durchführung von Installations- oder Servicearbeiten das Gerät nicht von der Stromversorgung getrennt wird, kann das zu ernsthaften Verletzungen oder zum Tod durch einen Stromschlag führen. Trennen Sie den Händetrockner vor der Durchführung von Service- oder Installationsarbeiten von der Stromversorgung.

**WARNHINWEIS** Gefahr eines Brandes, elektrischen Schlags, von Körperverletzung oder Sachschäden sind möglich, falls örtliche Vorschriften oder Sicherheitsempfehlungen nicht befolgt bzw. eingehalten werden.

- Nur für das Trocknen von Händen zu benutzen und verwenden Sie den Händetrockner nicht für andere Zwecke außer dem Trocknen von Händen.
- Folgen Sie bei der Montage sorgfältig sämtliche Instruktionen der beiliegenden Installationsschablone/-anweisungen.
- Die Montage sollte nur von qualifizierten Personen in Übereinstimmung mit sämtlich anwendbaren nationalen und lokalen Vorschriften und Standards durchgeführt werden.
- Beschädigen Sie nicht die elektrischen Leitungen und andere, nicht sichtbare Versorgungsleitungen beim Schneiden oder Bohren in die Wand oder Decke.
- Schließen Sie das Gerät immer an einen Stromkreis mit einem Fehlerschutzschalter oder einem Schutz durch eine Sicherung mit einer elektrischen Nennleistung an, die höher ist, als die Nennstromstärke des Modells des Händetrockners.
- Verwenden Sie ausschließlich elektrischen Strom (Spannung und Frequenz), die für das Modell des zu montierenden Händetrockners geeignet ist.
- Jeder Händetrockner muss über einen eigenen Stromkreis verfügen.
- Nur für den Gebrauch in Innenräumen geeignet. Nicht für den Gebrauch im Außenbereich geeignet. Nicht Regen, Sonne oder extremen Temperaturen aussetzen. Nicht in der Nähe von Wasserversorgungsbereichen oder extremen Wärmequellen verwenden.
- Um einem Spannungsabfall vorzubeugen und einen effizienten Betrieb sicherzustellen, ist der Einsatz der richtigen Dimension der Kabel erforderlich.
- Reparaturarbeiten dürfen nur von einem befugten Elektriker durchgeführt werden.
- Dieses Gerät ist nicht für den Gebrauch durch Personen mit eingeschränkten körperlichen, sensorischen oder mentalen Fähigkeiten oder mangelnder Erfahrung und Wissen geeignet, außer diese werden betreffend des Gebrauchs des Gerätes von einer für Ihre Sicherheit verantwortliche Person beaufsichtigt oder angeleitet.

**WARNHINWEIS** Gefahr eines Brandes, elektrischen Schlags, von Körperverletzung oder Sachschäden sind möglich, falls die folgenden Sicherheitsmaßnahmen nicht befolgt werden:

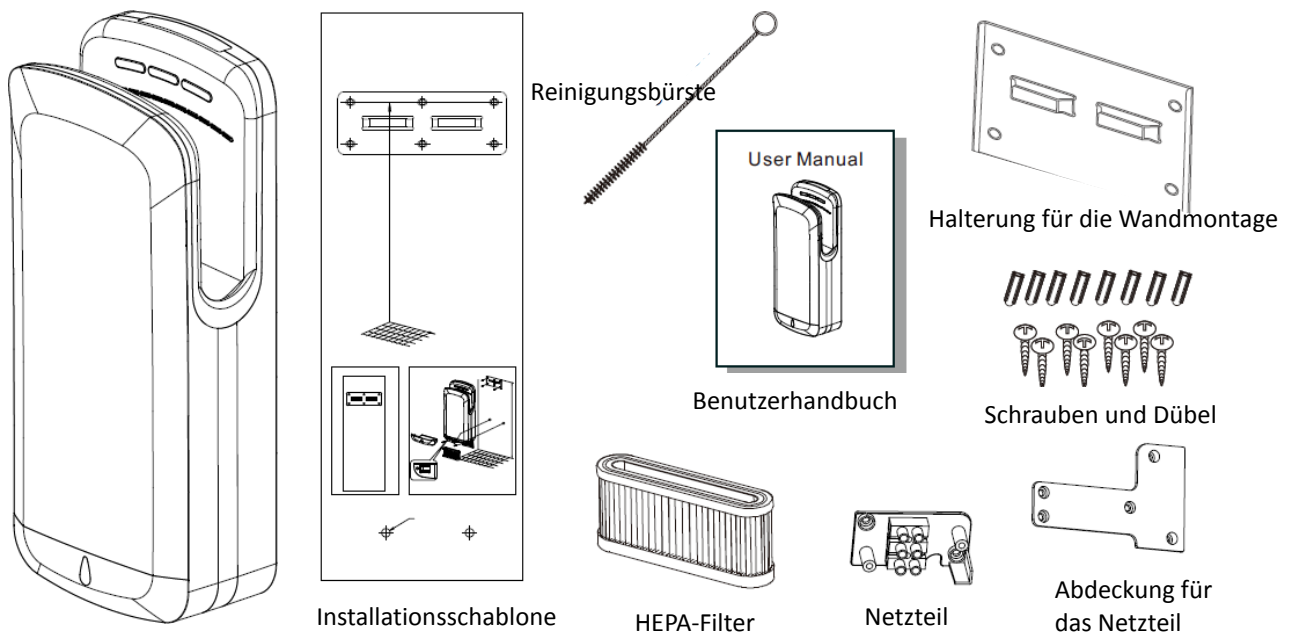
- Bei Reparaturarbeiten dürfen nur Originalersatzteile verwendet werden.
- Stecken Sie keine Fremdkörper in oder legen schwere Gegenstände auf das Gerät.
- Nicht in ätzenden Umgebungen oder explosionsgefährdeten Bereichen verwenden.
- Nicht an Orten mit extremer Luftfeuchtigkeit oder in der Nähe von Wasserversorgungsbereichen verwenden.
- Tauchen Sie das Gerät nicht unter Wasser oder in andere Flüssigkeiten ein.
- Kinder sollten beaufsichtigt werden, um nicht mit dem Gerät zu spielen.

**WARNHINWEIS** Bei der Entsorgung eines Altgeräts oder von Komponenten davon, befolgen Sie sämtliche lokale und nationale Gesetze und Vorschriften bezüglich der Entsorgung von Elektroschrott. Dieses Gerät darf nicht gemeinsam mit dem Hausmüll entsorgt werden. Dieses Gerät muss bei einer befugten Stelle für das Recycling von elektrischen und elektronischen Gerät entsorgt werden. Durch das Sammeln und Recyceln von Abfall tragen Sie dazu bei, natürliche Ressourcen zu schonen und stellen sicher, dass das Produkt in einer umweltfreundlichen und verträglichen Art und Weise entsorgt wird.

## 5. AUSPACKEN / SERIENMÄSSIGES ZUBEHÖR

1. Entfernen Sie sämtliches Verpackungsmaterial. Es wird empfohlen dieses zu recyceln.
2. Nehmen Sie den Händetrockner sorgfältig aus der Versandverpackung; achten Sie darauf, das Gerät nicht fallen zu lassen.
3. Überprüfen Sie das Gerät sorgfältig auf Schäden, die während des Transports entstanden sein könnten. Überprüfen Sie, ob lockere, fehlende oder beschädigte Teil vorhanden sind. Falls der Händetrockner beschädigt sein sollte oder Teile fehlen, informieren Sie den Händler unverzüglich, bei dem Sie das Gerät gekauft haben.

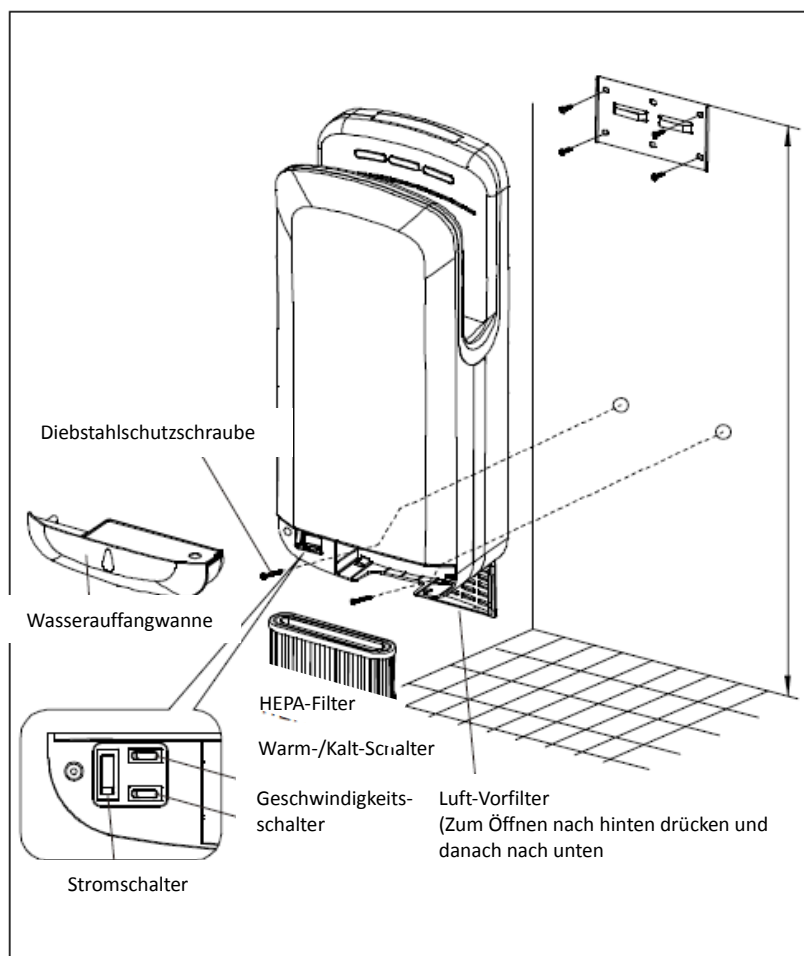
Die serienmäßigen Teile, die beim Händetrockner inkludiert sind, sind die nachfolgenden:



## 6. INSTALLATION/MONTAGE

**ACHTUNG** unsachgemäße Montage könnte zu Körperverletzungen oder Sachschäden führen.

1. Verwenden Sie die mitgelieferte Montageschablone, um die Positionen der 8 Schrauben anzuzeichnen, um die Halterung für die Wandmontage an der Wand anzubringen.
2. Es wird empfohlen, dass mindestens 2 der 6 Schrauben des Gerätes in eine Trennwand oder einen Träger festgeschraubt werden.
3. Um die Dübel, die beim Wandmontage-Set inkludiert sind, verwenden zu können, bohren Sie bei den angezeichneten Stellen mit einem 6/25 Zoll (6 mm) Bohrer Löcher in die Wand vor, stecken die Dübel hinein und klopfen Sie bündig in die Wand.
4. Schrauben Sie abschließend die Wandhalterung mit den 6 Montageschrauben an der Wand fest.
5. Falls der Händetrockner mit einem Stromkabel samt Stecker geliefert wird, hängen Sie dieses auf die Halterung.
6. Falls der Händetrockner ohne Stromkabel mit Stecker geliefert wird, öffnen Sie die Abdeckung der Netzteil-Baugruppe auf der Rückseite des Händetrockners und schließen ihn dann wie folgt an <Die Stromversorgungen sollte AUS sein>:



- A. Verbinden Sie das stromführende Kabel (mit den Farben Braun, Rot oder Schwarz) mit dem Anschluss „L“.
- B. Verbinden Sie den Nullleiter (Schwarz, Blau) mit dem Anschluss „N“.
- C. Verbinden Sie das Erdungskabel (Grün & Gelb) mit dem Anschluss „E“.

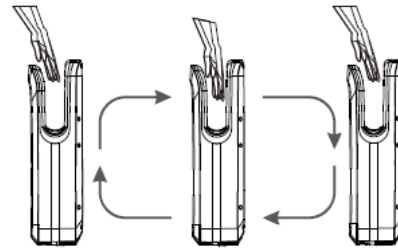
Montieren Sie die Abdeckung des Netzteils wieder und hängen den Händetrockner auf die Halterung.

7. Nehmen Sie die Wasserwanne am Boden des Trockners ab und schließen Sie die Montage des Trockners mit den 2 restlichen Schrauben ab.
8. Bevor Sie die Wasserwanne wieder einsetzen, gibt es die Möglichkeit, das Hezelement des Trockners EIN oder AUS zu schalten und die Luftgeschwindigkeit hoch oder niedrig zu stellen.
9. Setzen Sie die Wasserwanne wieder ein.
10. Öffnen Sie den Vorfilter, um den HEPA-Filter gegebenenfalls einzusetzen. Der Gummiring des HEPA-Filters befindet sich oben.
11. Stecken Sie den Stecker in die Steckdose oder schalten Sie den Strom ein.



## 7. VERWENDUNG DES GERÄTS

1. kontaktloser Betrieb.
2. Es ist ein blaues LED-Licht vorhanden, um den Benutzer zur Luftströmung zu führen.
3. Der Händetrockner schaltet sich automatisch ein, sobald die Hände hineingesteckt werden.
4. Bewegen Sie Ihre Hände 7-10 Sekunden lang langsam durch den Luftstrom nach oben und unten.
5. Der Händetrockner schaltet sich automatisch aus, sobald die Hände herausgenommen worden sind.



LED-Anzeige: Die LED-Anzeige gibt Informationen über den Betrieb und den Wartungsbedarf des Händetrockners.

- A. Trockendauer und Willkommensanzeige    B. Betriebsanzeige  
C. Anzeige der Luftsterilisation                      D. Anzeige der Selbstprüfung/-diagnose

Der Trockner verfügt über einen EIN-/AUS-Schalter, Schalter für die Geschwindigkeitssteuerung und Warm-/Kalt-Schalter falls die Option benötigt wird. Die Werkseinstellungen für den Stromschalter lautet „EIN“, den Schalter für die Geschwindigkeitssteuerung „HOCH“ und für den Warm-/Kalt-Schalter „WARM“. Sämtliche Schalter befinden sich im Inneren des Trockners – auf der linken Seite der Wasserauffangwanne. Um darauf zugreifen zu können, nehmen Sie die Wasserauffangwanne heraus und diese sind dann klar ersichtlich.

## 8. WARTUNGS- UND REINIGUNGSANWEISUNGEN

**ACHTUNG bei HEPA:** wenn ein gebrauchter/schmutziger HEPA-Filter nicht getauscht wird, kann das zu Überhitzung des Motors oder des Heizelements des Trockners führen und Ihre Garantie erlischt. Es wird empfohlen ihn einmal pro Woche zu reinigen.

1. Dieser Händetrockner verfügt über einen abnehmbaren Vorfilter der Luftansaugung und einen tauschbaren HEPA-Filter.
2. Es ist erforderlich, den Filterstatus in regelmäßigen Abständen zu prüfen. Eine hohe Benutzungsfrequenz macht es erforderlich, den HEPA-Filter öfters zu wechseln bzw zu ersetzen.
3. Der abnehmbare Vorfilter der Luftansaugung kann gereinigt und wiederverwendet werden.
4. Ersatzfilter können über Ihren Händler bezogen werden, bei dem Sie Ihren Händetrockner gekauft haben.
5. Es wird empfohlen, den HEPA-Filter mit einem Staubsauger zu reinigen.

**ACHTUNG bei der Wasserauffangwanne:** Überprüfen Sie in regelmäßigen Abständen den Wasserstand in der Wasserauffangwanne anhand der Anzeige vorne und leeren Sie das Wasser aus. Reinigen Sie die Wanne und setzen Sie wieder ein. Eine volle Wanne läuft über und das Wasser fließt auf den Boden.

### REINIGUNG

Sämtliche Oberflächen des Händetrockners können mit einem weichen Tuch und nicht scheuernden, nicht ätzenden Reinigungsmitteln gesäubert werden.

Die mitgelieferte Reinigungsbürste sollte für die Reinigung der Abflauöffnung im Boden der Trockenöffnung verwendet werden.

## 9. DIAGNOSE & BEHEBUNG

SYMPTOM	MÄNGELBEHEBUNG
Der Händetrockner startet nicht.	Prüfen Sie, ob die Stromversorgung und der Einschalter am Händetrockner eingeschaltet sind. Prüfen Sie, ob sich Fremdkörper in der Trockenöffnung befinden, die eventuell die Sensoren blockieren. Stecken Sie die Hände etwas tiefer in die Trockenöffnung, um die Sensoren zu aktivieren.
Der Händetrockner schaltet sich unkontrolliert ein und aus.	Reinigen Sie den Sensorbereich innerhalb der Trockenöffnung.
keine Warmluft	Das Heizelement funktioniert nicht, falls die Umgebungstemperatur höher als 25°C ist. Prüfen Sie ob die Sicherung des Heizelements oder das Heizelement nicht defekt ist.
geringe Luftströmung	Bringen Sie den Schalter zur Geschwindigkeitssteuerung in die Position „H“.
Der Händetrockner ist gesperrt.	Der Händetrockner wird durch das Programm gesperrt, falls sich der Spannungsbereich um mehr als 15% ändert. Falls der Händetrockner längere Zeit nicht betrieben worden ist, ist er gesperrt. Schalten Sie den Händetrockner für mehrere Minuten aus und danach wieder ein.

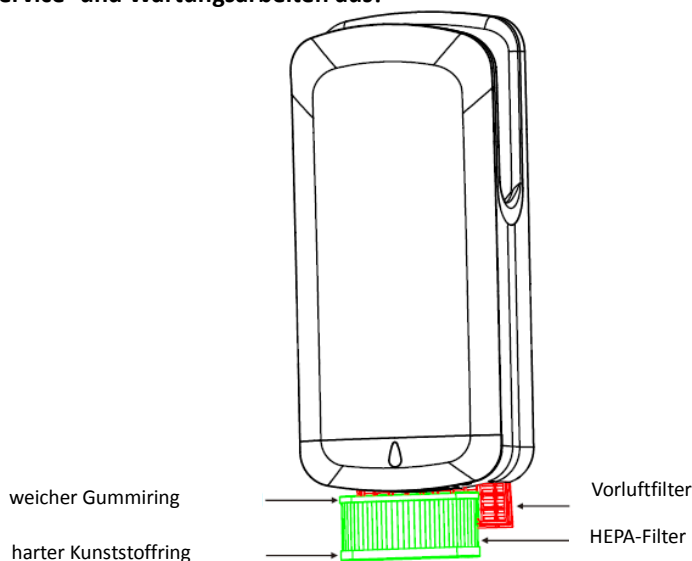
## 10. EINGESCHRÄNKTE GARANTIE

Dieser Händetrockner verfügt über eine 1-Jahres-Garantie ab dem Kaufdatum für sämtliche Herstellungsmängel. Sie deckt den Austausch von defekten Teilen ab, mit der Ausnahme, dass diese auf unsachgemäßen Gebrauch des Händetrockners zurückzuführen sind. Diese Garantie ist nur dann gültig, falls das Formular ordnungsgemäß ausgefüllt und mit dem Stempel des Händlers versehen worden ist. Für sämtliche Garantieansprüche sollten Sie Ihren lokalen Händler oder Hersteller kontaktieren.

Modell: ..... Seriennr.: .....  
Händler: ..... Kunde: .....  
Adresse: .....  
Tel Nr.: ..... Fax Nr.: .....  
Kaufdatum: .....  
Für den Verkäufer: ..... Unterschrift & Stempel: .....

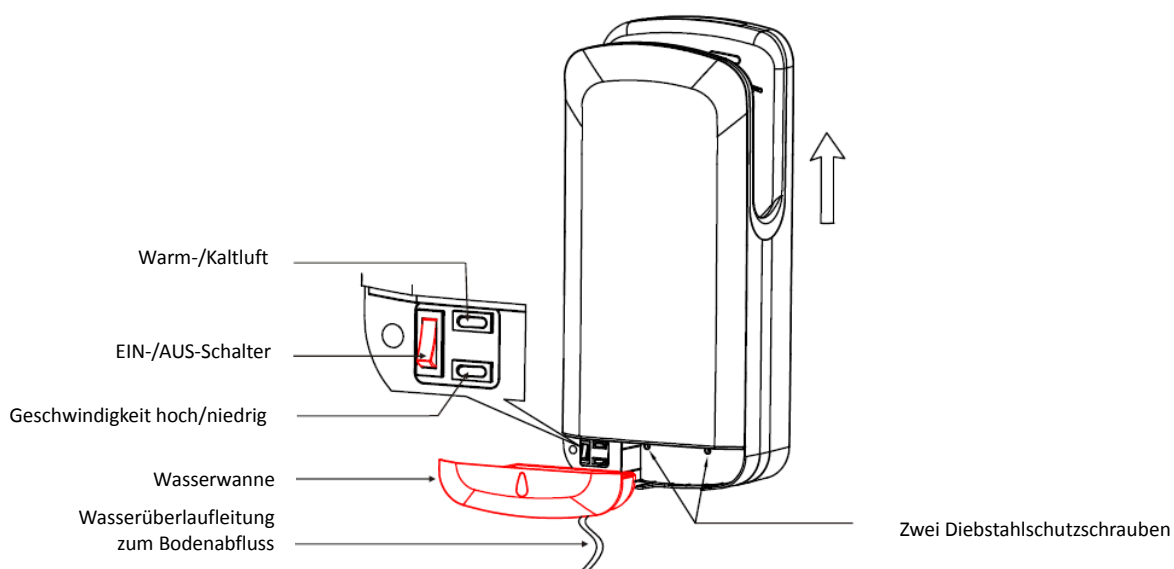
## AUSTAUSCH DES HEPA-FILTERS UND REINIGUNG DES VORFILTERS

**WARNHINWEIS:** Trennen Sie die Stromversorgung mit dem Stromschalter oder stecken Sie das Gerät vor dem Durchführen von Service- und Wartungsarbeiten aus!



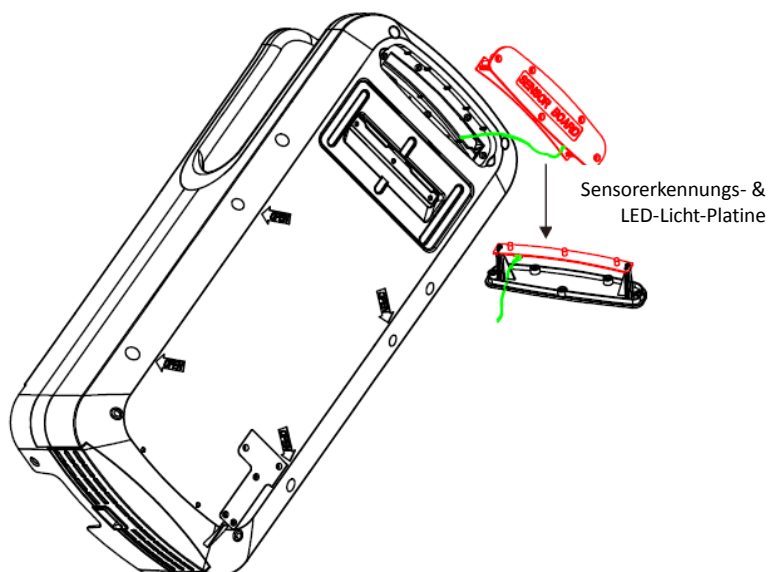
1. Drücken Sie nach hinten, um den Luftvorfilter zu öffnen.
2. Nehmen Sie den HEPA-Filter heraus. Falls Sie den HEPA-Filter gegen einen neuen austauschen, stellen Sie sicher, dass sich der Gummiring des HEPA-Filters oben befindet.
3. Entfernen Sie Staubfussel/Verunreinigungen vom Vorfilter.

## HERAUSNEHMEN DER WASSERWANNE UND DEMONTAGE DES HÄNDETROCKNERS VON DER WAND



1. Falls eine Wasserüberlaufleitung angeschlossen ist, entfernen Sie diese bitte.
2. Ziehen Sie vorne, um die Wasserwanne abzunehmen. Lockern Sie danach die zwei Diebstahlschutzschrauben <der HEPA-Filter wird erst dann entfernt, nachdem diese beiden Schrauben wieder befestigt sind>.
3. Drücken Sie zuerst hinauf, schieben dann nach vorne, um den Händetrockner von der Wand zu nehmen. Geben Sie Acht, er wiegt 11 kg.
4. Nach der erneuten Montage, bevor Sie die Wasserwanne wieder einsetzen, gibt es die Möglichkeit das Heizelement des Trockners EIN oder AUS zu schalten und die Luftgeschwindigkeit hoch oder niedrig zu stellen. Der Schalter ist klar gekennzeichnet.

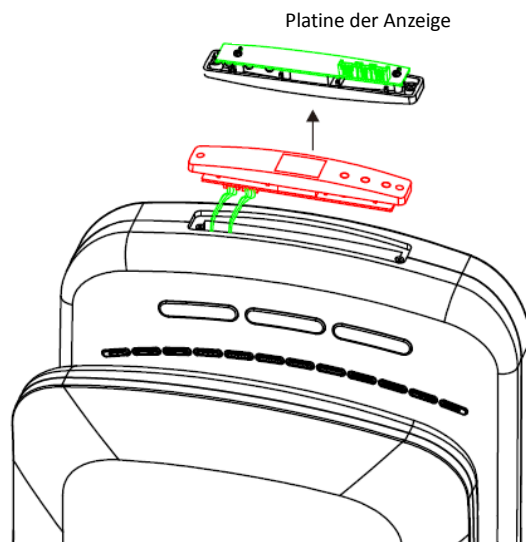
## AUSTAUSCH DES SENSORERKENNUNGS- & LED-LICHT PLATINE



Austausch der Sensorerkennung- & der Platine des LED-Lichts:

1. Lösen Sie die Schrauben der Sensorerkennung & der Halterung der LED-Licht-Platine. Verwenden Sie einen Schraubenzieher, um die Abdeckung etwas zu schieben, um sie zu öffnen.
2. Nehmen Sie die Abdeckung etwas heraus und die Platine kommt ebenso mit! Geben Sie Acht, da Kabel an der Platine angeschlossen sind.
3. Lösen Sie die beiden Schrauben auf der Platine und tauschen sie gegen eine neue aus.

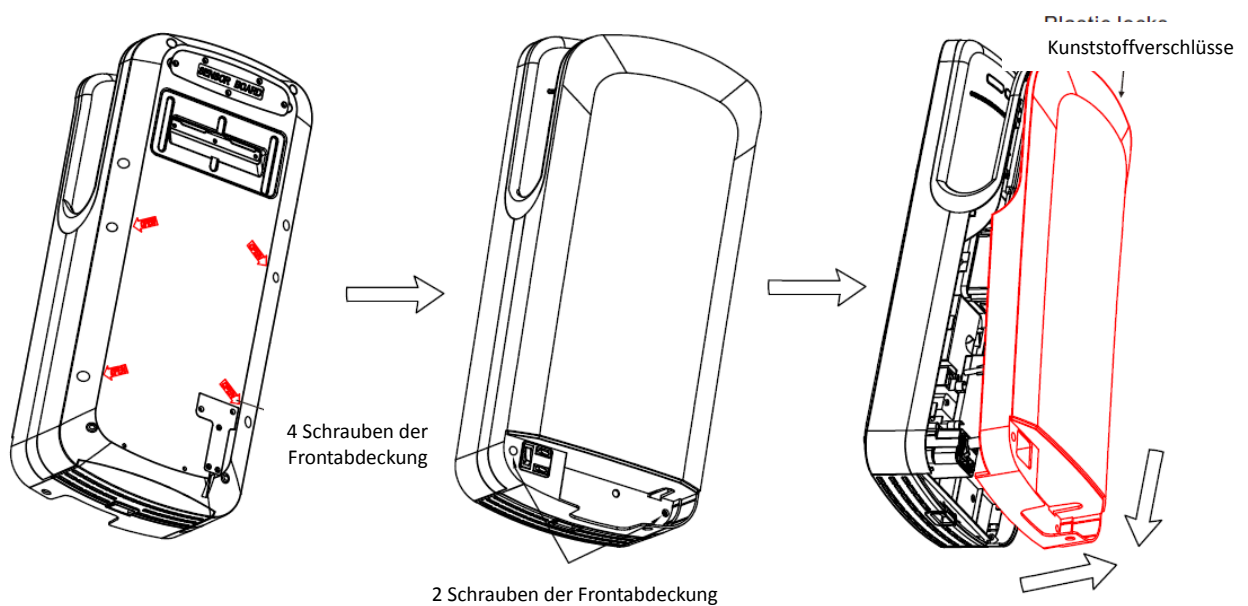
## AUTAUSCH DER PLATINE DER ANZEIGE



Austausch der Platine der Anzeige:

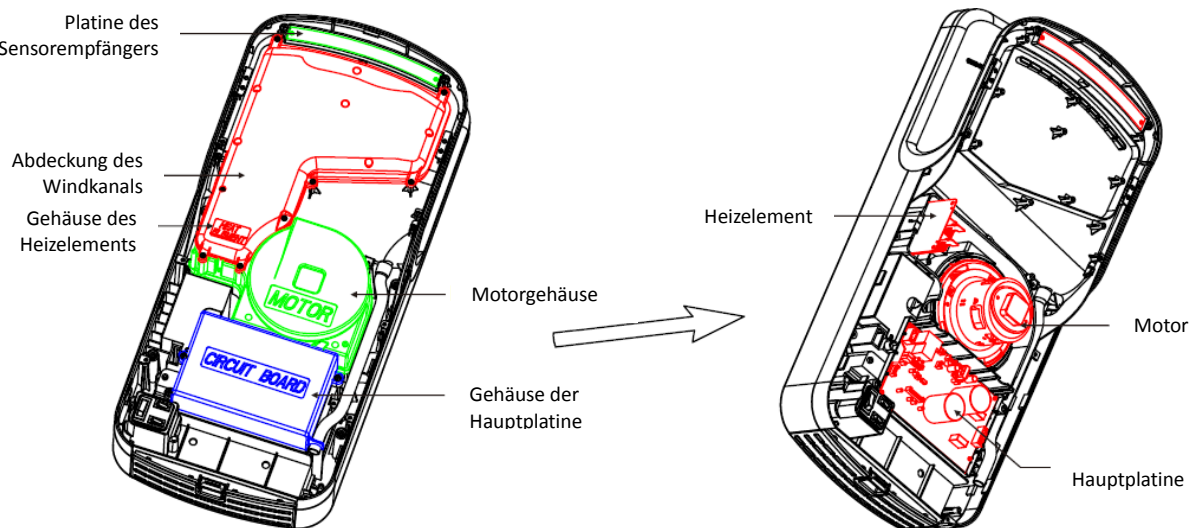
1. Entfernen Sie den Aufkleber. Geben Sie Acht, dass Sie nicht den Rand des Händetrockners beschädigen, da das Erscheinungsbild der Oberfläche beeinträchtigen kann.
2. Lösen Sie die beiden Schrauben an der Halterung der Timer-Platine. Verwenden Sie einen Schraubenzieher, um die Halterung etwas zu ziehen, um diese zu öffnen.
3. Nehmen Sie die Halterung heraus und die Platine kommt gleichzeitig mit! Geben Sie Acht, da Kabel an der Platine angeschlossen sind.
4. Lösen Sie die beiden Schrauben an der Platine und ersetzen diese gegen eine neue.
5. Nach dem Austausch der Platine, empfehlen wir Ihnen, einen neuen Aufkleber zu werden, um ein schönes Erscheinungsbild beizubehalten.

## ÖFFNEN DER VORDEREN ABDECKUNG DES HÄNDETROCKNERS



1. Lösen Sie die 4 Schrauben der Frontabdeckung auf der Rückplatte des Händetrockners wie mit den Pfeilen angezeigt.
2. Lösen Sie die beiden Schrauben der vorderen Abdeckung des Händetrockners auf der Vorderseite unten.
3. Ziehen Sie die Frontabdeckungen nach oben und dann ein wenig zurück, um sie zu greifen.
4. Ziehen Sie die Abdeckung langsam und vorsichtig, da auf der Oberseite Kunststoffverschlüsse vorhanden sind.
5. Beschädigen Sie bitte nicht die Kunststoffverschlüsse auf der Oberseite, da diese benutzt werden, um die Frontabdeckung gut am Gehäuse zu befestigen.

## AUSTAUSCH DER HAUPTPLATINE, SENSOREMPFANGSPLATINE, DES MOTORS, HEIZELEMENTS



**Austausch der Hauptplatine:** Nehmen Sie die markierte Gehäuseabdeckung der Platine ab und tauschen sie gegen eine neue Platine aus.

**Austausch der Sensorempfangsplatine:** Entfernen Sie die markierten Schrauben der Platine und tauschen diese dann gegen eine neue aus.

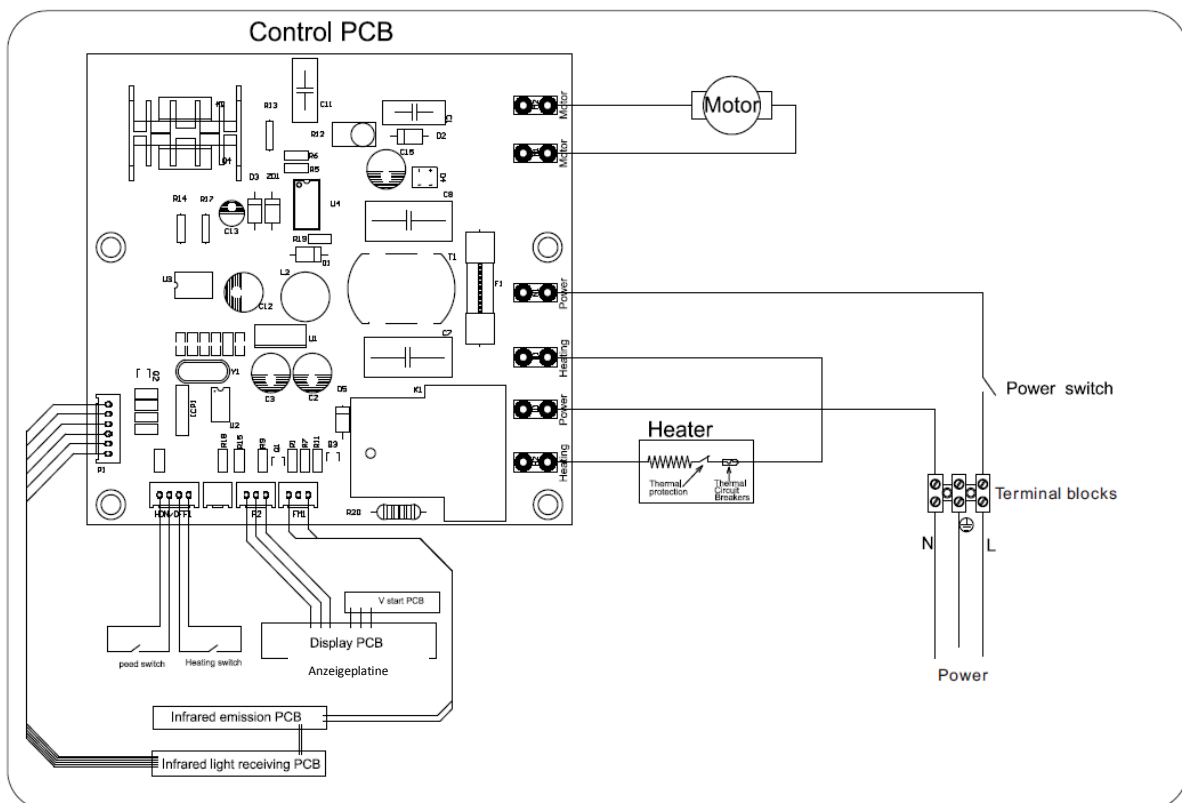
### Austausch des Heizelements:

1. Entfernen Sie die Abdeckung des Windkanals. Nehmen Sie das Heizelement heraus und tauschen es gegen ein neues aus.
2. Setzen Sie die Abdeckung des Windkanals wieder ein. Stellen Sie sicher, dass sich die Gummidichtung in der richtigen Position befindet, um das Entweichen von Luft zu vermeiden.

### Austausch des Motors:

1. Entfernen Sie die markierte Abdeckung des Windkanals und die Abdeckung des Motors. Nehmen Sie den Motor heraus und tauschen Sie ihn gegen einen neuen aus.
2. Bringen Sie die Abdeckung wieder an. Stellen Sie sicher, dass sich der Gummi- & Schaumstoffschutz des Motors und die Gummidichtung an der richtigen Position befinden.
3. Befestigen Sie die Abdeckung des Windkanals wieder. Stellen Sie sicher, dass sich die Gummidichtung in der richtigen Position befindet, um das Entweichen von Luft zu vermeiden.

## HÄNDETROCKNER MIT BÜRSTENMOTOR – ELEKTRISCHER SCHALTPLAN



## 1. DESCRIPTION

Le sèche-mains est un sèche-mains monté en surface, alimenté par un moteur sans brosse ou à brosse et qui délivre une puissance de séchage de 1650 watts. Le sècheur comprend un filtre HEPA remplaçable et un préfiltre d'admission d'air réutilisé. Un capteur infrarouge est utilisé pour activer automatiquement le sèche-linge. Le sècheur est conçu pour une utilisation dans un environnement commercial, industriel, de bureau et public.

## 2. FONCTIONNALITÉS AVANCÉES

Design mince avec séchage rapide, rentable et très hygiénique.

Protection de minuterie continue de 25 secondes.

Design de structure anti-éclaboussures.

En utilisant un moteur très efficace pour créer un flux d'air fort pour enlever l'eau des mains.

Pas d'élimination, de stockage et de coût de la main-d'œuvre par rapport à une serviette en papier, à nettoyer seulement une fois par jour.

Purifie l'air par stérilisation aux UV pour garder les bactéries libres de l'air.

99% de toutes les bactéries filtrées par filtre HEPA avec un système facile à changer.

Jusqu'à 90% d'économie par rapport aux coûts des serviettes en papier.

Produit respectueux de l'environnement grâce à une technologie propre permettant d'économiser l'énergie et à une quantité moindre de dioxyde de carbone.

## 3. CARACTÉRISTIQUES

Tension: 220V-240V 50 / 60Hz

Puissance: 1850W (chauffage activé) / 750W (chauffage désactivé)

Température de l'air: 40 °C (température ambiante = 25 °C)

Vitesse de l'air: 100M / S

Débit d'air: 150M<sup>3</sup> / H

Temps de séchage: 7-9S

Niveau de protection: IPXI

Isolation électrique: CLASSE II

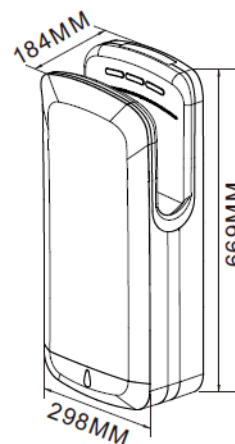
Moteur: Moteur de brosse

Bruit (à 1M): 70dB

Matériel de Cabinet: ABS en plastique

Poids net: 7.5KGS

Poids brut: 9.3KGS



## 4. INFORMATION DE SÉCURITÉ

**DANGER** Ne pas débrancher la source d'alimentation avant l'installation ou l'entretien peut entraîner des blessures graves ou la mort par choc électrique. Débranchez toujours la source d'alimentation avant d'effectuer l'entretien ou l'installation du sèche-mains.

**ATTENTION** Risque d'incendie, d'électrocution, de blessure ou de dommages matériels si les codes locaux ou les recommandations de sécurité ne sont pas respectés.

- À utiliser uniquement pour vous sécher les mains et à ne pas utiliser le sèche-mains à d'autres fins que le séchage des mains.
- Suivez attentivement toutes les instructions d'installation sur le modèle / les instructions d'installation ci-joint.
- L'installation doit être effectuée uniquement par des personnes qualifiées conformément à tous les codes et normes nationaux et locaux applicables.
- Lorsque vous coupez ou percez dans le mur ou le plafond, n'endommagez pas le câblage électrique et les autres accessoires cachés.
- Toujours raccorder à un circuit de dérivation muni d'un disjoncteur ou d'une protection par fusible d'une puissance nominale supérieure à l'ampérage nominal du sèche-mains.

- N'utilisez que l'alimentation électrique (tension et fréquence) spécifiée pour le modèle du sèche-mains en cours d'installation.
- Chaque sèche-mains doit avoir un circuit dédié.
- Pour une utilisation en intérieur uniquement. Ne pas utiliser à l'extérieur. Ne pas exposer à la pluie, au soleil ou à des températures extrêmes. Ne pas utiliser près d'une source d'eau ou d'une chaleur extrême.
- Pour limiter la chute de tension et assurer un fonctionnement efficace, l'utilisation d'un fil de bonne taille est nécessaire.
- Les réparations doivent uniquement être effectuées par un électricien agréé.
- Cet appareil n'est pas destiné à être utilisé par des personnes ayant des capacités physiques, sensorielles ou mentales réduites ou un manque d'expérience et de connaissances, à moins d'avoir été supervisé ou instruit par une personne responsable de leur sécurité.

**ATTENTION** Risque d'incendie, d'électrocution, de blessure ou de dommages matériels si les précautions de sécurité suivantes ne sont pas respectées.

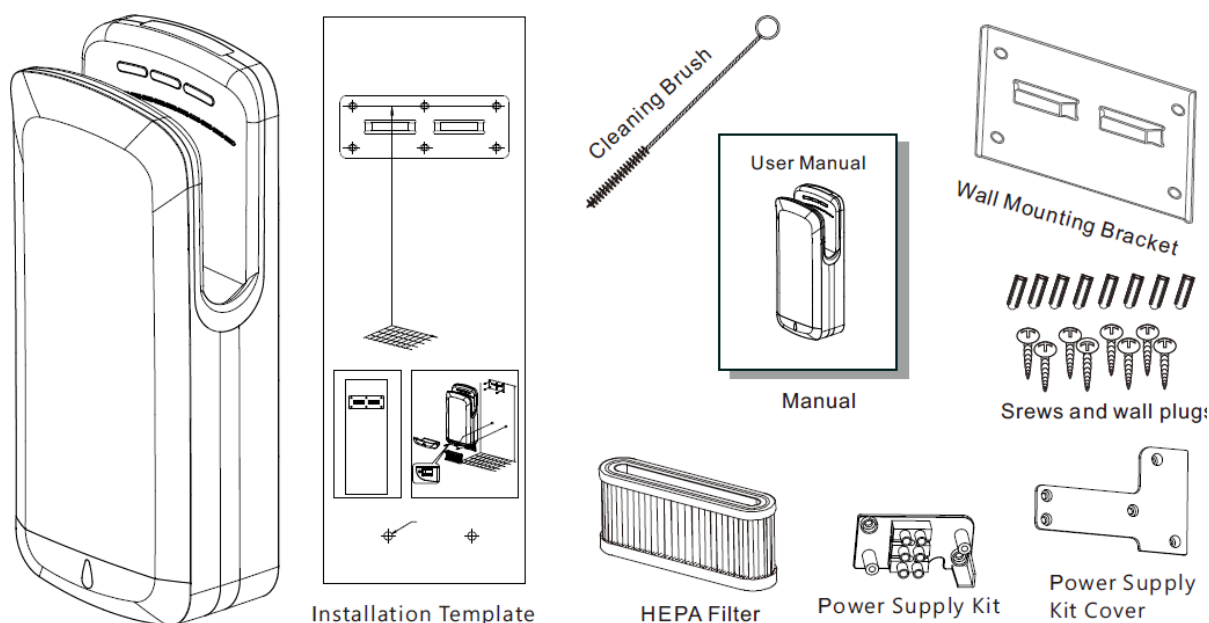
- Les travaux de réparation doivent uniquement utiliser des pièces de rechange d'origine.
- N'insérez pas d'objets étrangers dans l'appareil et ne placez pas d'objets lourds sur l'appareil.
- Ne pas utiliser dans des environnements corrosifs ou dans des atmosphères explosives.
- Ne pas utiliser dans des endroits extrêmement humides ou à proximité d'une source d'eau.
- Ne pas immerger l'appareil dans l'eau ou un autre liquide.
- Les enfants doivent être surveillés pour ne pas jouer avec l'appareil.

**ATTENTION** Lorsque vous vous débarrassez d'un ancien appareil ou de tout composant, respectez les lois locales et nationales relatives à l'élimination des déchets électroniques. Cet appareil ne doit pas être jeté avec les ordures ménagères. Cet appareil doit être placé dans un endroit autorisé pour le recyclage des appareils électriques et électroniques. En collectant et en recyclant les déchets, vous aidez à économiser les ressources naturelles et assurez-vous que le produit est éliminé de manière écologique et saine.

## 5. DÉBALLAGE / ACCESSOIRES STANDARD

1. Retirez tout le matériel d'emballage. Le recyclage est recommandé.
2. Retirez délicatement le sèche-mains du carton d'emballage en veillant à ne pas laisser tomber l'appareil.
3. Inspectez soigneusement pour tout dommage qui aurait pu survenir pendant le transport. Vérifiez s'il y a des pièces détachées, manquantes ou endommagées. Si le sèche-mains est endommagé ou s'il manque des pièces, informez immédiatement le revendeur auprès duquel vous l'avez acheté.

Les articles standards inclus avec le sèche-mains sont:





## 6. INSTALLATION

**MISE EN GARDE** Un montage incorrect peut entraîner des blessures ou des dommages matériels.

1. Utilisez le modèle de montage fourni pour marquer les emplacements des 8 vis pour fixer le support de montage mural au mur.

2. Il est recommandé de fixer au moins 2 des 6 vis de l'unité dans un goujon mural ou un support.

3. Pour utiliser les chevilles murales creuses fournies avec le kit de montage mural, prépercez le mur dans les emplacements marqués à l'aide d'une perceuse de 6/25 po (6 mm), insérez les chevilles et tapez contre le mur.

4. Complétez la fixation du support mural au mur à l'aide des 6 vis de montage.

5. Si le sèche-mains fourni avec le câble et la prise, l'accrocher au support.

6. Si le sèche-mains est fourni sans fiche de câble et s'il vous plaît ouvrez le couvercle du kit d'alimentation électrique sur le sèche-mains à l'arrière puis connectez-le comme suit <L'alimentation doit être éteinte>:

A. Connectez le fil sous tension (brun coloré, rouge ou noir) au bornier marqué "L".

B. Connectez le fil neutre (noir coloré, bleu) au bornier marqué "N".

C. Connectez le fil de masse (vert et jaune coloré) au bornier marqué "E".

Remplacer le couvercle du kit d'alimentation, puis suspendre le sèche-linge sur le support.

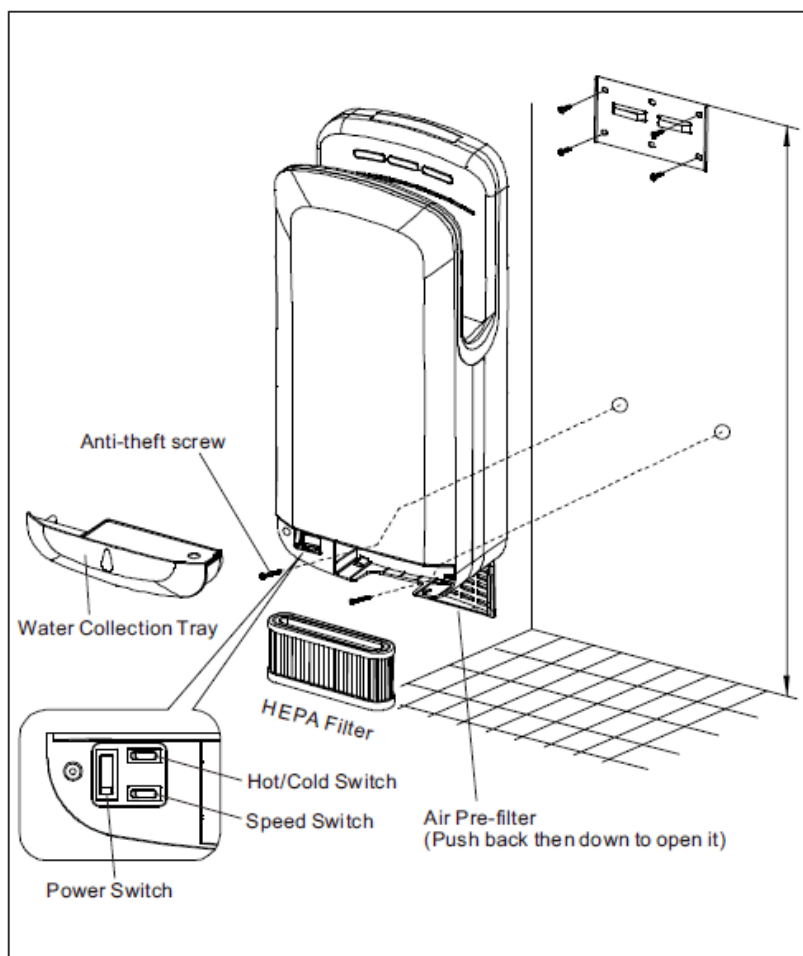
7. Retirez le bac à eau du fond du sèche-mains et complétez la fixation du sèche-mains avec les 2 vis de gauche.

8. Avant de remplacer le bac à eau, vous pouvez activer ou désactiver le chauffage du sèche-mains et augmenter ou diminuer la vitesse de l'air. L'interrupteur est clairement marqué.

9. Remplacez le bac à eau.

10. Ouvrez le pré-filtre pour installer le filtre HEPA si nécessaire. L'anneau en caoutchouc de HEPA est au sommet.

11. Connectez la fiche à la prise d'alimentation ou mettez l'appareil sous tension.



## 7. COMMENT L'UTILISER

1. Utilisation sans toucher.

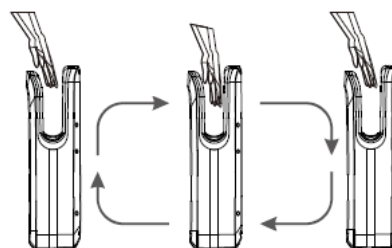
2. Il y a une lumière bleue de LED pour guider l'utilisateur au flux d'air.

3. Le sèche-mains démarre automatiquement lorsque les mains sont insérées.

4. Déplacez lentement vos mains de haut en bas dans le courant d'air pour

7-10 secondes.

5. Le sèche-mains s'arrêtera automatiquement après le retrait des mains.



Affichage LED: L'affichage LED fournit des informations sur les besoins de fonctionnement et d'entretien du sèche-mains.

A. Temps de séchage et diagramme de bienvenue

B. Indicateur d'alimentation

C. Indicateur de stérilisation de l'air

D. Indicateur d'autocontrôle

Les sèche-mains est équipé d'un interrupteur d'alimentation ON / OFF, d'un commutateur de contrôle de vitesse et d'un commutateur chaud / froid pour l'option si désiré. Le réglage d'usine par défaut pour l'interrupteur d'alimentation "ON", l'interrupteur de commande de vitesse "HAUT" et l'interrupteur "Chaud / froid" "CHAUD". Tous les interrupteurs sont situés à l'intérieur du sèche-linge - côté gauche du bac de récupération d'eau. Pour accéder, retirez le bac de récupération d'eau et il est clairement montré.

## 8. INSTRUCTIONS D'ENTRETIEN ET DE NETTOYAGE

**ATTENTION sur le filtre HEPA:** Le fait de ne pas remplacer un filtre HEPA usagé / sale peut entraîner une surchauffe du moteur ou de l'élément chauffant du sèche-mains, ce qui peut invalider le droit à la garantie. Il est recommandé de le nettoyer une fois par semaine.

1. Ce sèche-mains est équipé d'un préfiltre d'air d'admission amovible et d'un filtre HEPA remplaçable.
2. Vérifiez régulièrement l'état du filtre. Un trafic élevé peut nécessiter un remplacement plus fréquent du filtre HEPA.
3. Le préfiltre d'air d'admission amovible peut être nettoyé et réutilisé.
4. Les filtres de rechange peuvent être achetés auprès de votre revendeur où vous avez acheté le sèche-mains.
5. Il est recommandé de nettoyer le filtre HEPA à l'aide d'un aspirateur.

**ATTENTION sur le bac de récupération de l'eau:** Vérifiez régulièrement le niveau d'eau du bac de récupération de l'eau de la visionneuse avant et videz l'eau. Nettoyez le bac puis remplacez-le. Le plateau complet débordera sur le sol.

### NETTOYAGE

Toutes les surfaces du sèche-mains peuvent être nettoyées avec un chiffon doux et des solutions de nettoyage non abrasives et non corrosives.

Fourni brosse de nettoyage doit être utilisé pour nettoyer le trou de vidange dans le fond de la cavité de séchage

## 9. DIAGNOSTICS ET SOLUTIONS

SYMPTÔMES	ACTION CORRECTIVE
Le sèche-mains ne démarre pas	Vérifiez que l'alimentation électrique est allumée et que l'interrupteur d'alimentation du sèche-mains est activé. Vérifiez qu'il n'y a pas d'objets étrangers dans la cavité de séchage susceptibles de bloquer les capteurs. Insérez les mains un peu plus loin dans la cavité de séchage aux capteurs actifs.
Le sèche-mains s'allume / s'éteint de manière erratique	Nettoyer la zone du capteur à l'intérieur de la cavité de séchage.
Pas d'air chaud	L'appareil de chauffage ne fonctionne pas si la température ambiante est supérieure à 25 °C. Vérifiez que le fusible ou l'élément chauffant n'est pas brisé.
Faible débit d'air	Tournez l'interrupteur de commande de vitesse sur la position "H"
Sèche-mains verrouillé	Le sèche-mains sera verrouillé par programme si la plage de tension modifiée est supérieure à 15%. Si longtemps sans opération, le sèche-mains est verrouillé. Éteignez le sèche-mains plusieurs minutes puis allumez-le.

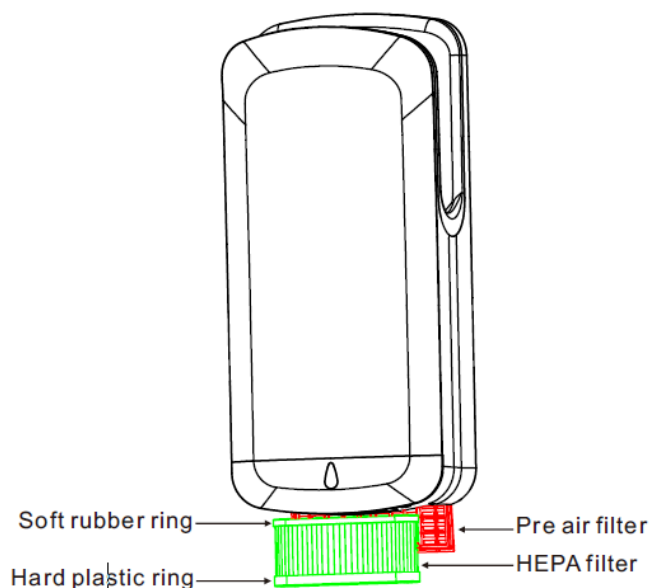
## 10. GARANTIE LIMITÉE

Ce sèche-mains a une garantie de 1 an à compter de la date d'achat pour tout défaut de fabrication. Il couvre le remplacement des pièces défectueuses sauf lorsqu'elles sont causées par une mauvaise utilisation du sèche-mains. Cette garantie n'est valable que si la fiche a été correctement remplie avec le cachet du vendeur. Pour toute réclamation de garantie, vous devez contacter votre distributeur ou fabricant local.

Modèle: ..... No de série.: .....  
Distributeur: ..... Client: .....  
Adresse: .....  
No de tel.: ..... No de fax.: .....  
Date de l'achat: .....  
Pour le vendeur: ..... Signature & Cachet: .....

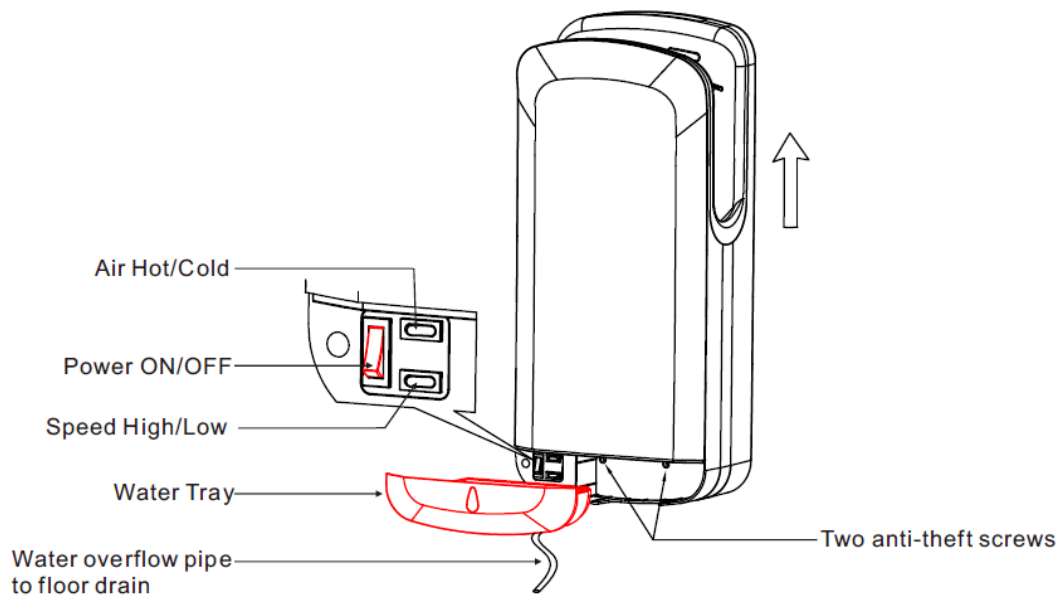
## REEMPLACER LE FILTRE HEPA ET NETTOYER LE PRE-FILTRE

**AVERTISSEMENT:** Débranchez l'alimentation du disjoncteur ou débranchez le sèche-mains avant tout entretien et maintenance!



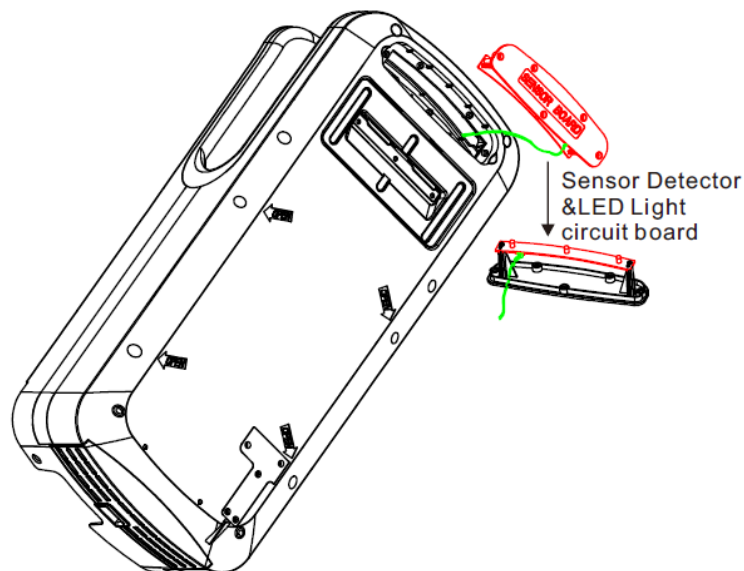
1. Appuyez sur arrière puis vers le bas pour ouvrir le filtre pré-air.
2. Retirez le filtre HEPA. Lorsque vous remplacez un nouveau HEPA, assurez-vous que l'anneau en caoutchouc de l'HEPA est en haut.
3. Nettoyez la poussière sur le préfiltre.

## REEMPLACER LE PLATEAU D'EAU ET DÉSINSTALLER LE SECHE-MAINS DU MUR



1. Si un tuyau de trop-plein est connecté, veuillez le déplacer.
2. Tirer vers l'avant pour sortir le bac à eau. Desserrez ensuite deux vis antivol <Seul le HEPA est déplacé lors de la remise en place de ces deux vis>.
3. Tirez d'abord vers l'avant puis tirez-le vers l'avant pour retirer le sèche-mains du mur. Attention, il pèse 11KG.
4. Après la réinstallation, avant de remplacer le bac à eau, il est possible d'activer ou de désactiver le chauffage du sèche-mains et d'augmenter ou de diminuer la vitesse de l'air. L'interrupteur est clairement marqué.

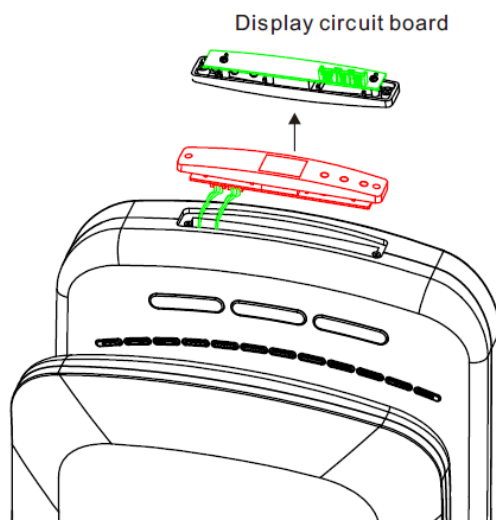
## REEMPLACER LE DÉTECTEUR DE CAPTEUR ET LA CARTE DE CIRCUIT DE LUMIÈRE DE LED



Remplacer le détecteur de capteur et la carte de circuit d'éclairage à LED:

1. Desserrez la vis du détecteur de capteur et du support de la carte de circuit d'éclairage à LED. Utilisez un tournevis pour tirer un peu sur le couvercle pour l'ouvrir.
2. Retirez légèrement la couverture et la carte de circuit se réunira! Soyez prudent, il y a un fil connecté sur la carte de circuit imprimé.
3. Desserrez les deux vis du circuit imprimé et remplacez-en une neuve.

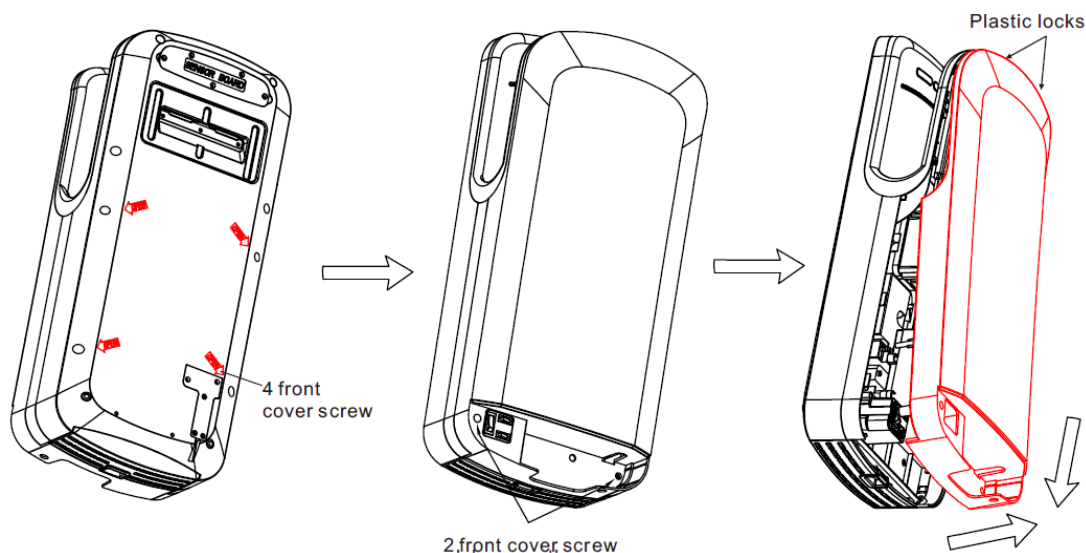
## REPLACER LA CARTE DE CIRCUIT D'AFFICHAGE



Remplacer la carte de circuit d'affichage:

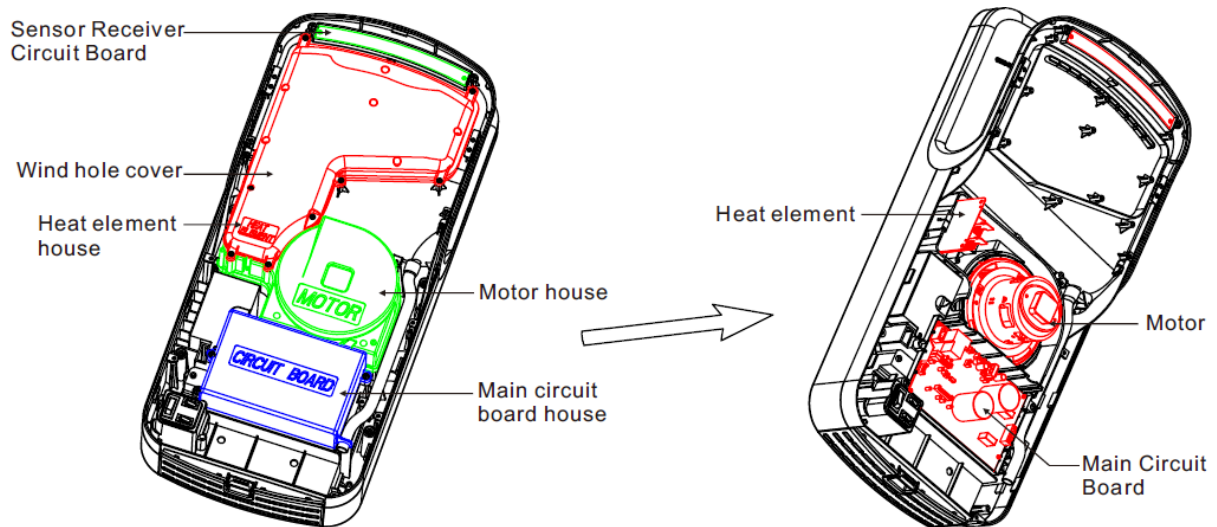
1. Écartez l'autocollant. Veillez à ne pas endommager le bord du sèche-mains car cela affecterait l'aspect de la surface.
2. Desserrez les deux vis du support de la carte de circuit imprimé de la minuterie. Utilisez un tournevis pour tirer un peu le support pour l'ouvrir.
3. Sortez le support légèrement et la carte de circuit se réunira! Soyez prudent, il y a un fil connecté sur la carte de circuit imprimé.
4. Desserrez les deux vis du circuit imprimé et remplacez-en une neuve.
5. Après avoir remplacé la nouvelle carte de circuit à droite, il est suggéré d'utiliser un nouvel autocollant pour une meilleure apparence.

## COUVERCLE AVANT SECHE-MAINS



1. Desserrez les 4 vis du couvercle avant de la base arrière du sèche-mains comme indiqué par la flèche.
2. Desserrez les 2 vis du couvercle avant du sèche-mains avant et arrière.
3. Tirez le couvercle avant puis reculez un peu pour le prendre.
4. Tirez le couvercle lentement et légèrement car il y a des verrous en plastique sur le dessus.
5. S'il vous plaît ne pas endommager les verrous en plastique du côté supérieur, car il est utilisé pour bien fixer le couvercle avant sur la base.

## REPLACER LA CARTE DE CIRCUIT PRINCIPAL, LA CARTE DE RÉCEPTEUR DE CAPTEUR, LE MOTEUR, L'ÉLÉMENT DE CHALEUR



**Remplacer la carte de circuit imprimé principale:** Déplacez le couvercle de la carte de circuit imprimé marqué et remplacez une nouvelle carte de circuit imprimé.

**Remplacer la carte de circuit imprimé du récepteur:** Dévissez la vis de la carte de circuit imprimé et remplacez-la par une neuve.

### Remplacer l'élément chauffant:

1. Déplacez le couvercle du trou de vent marqué. Sortez l'élément chauffant puis remplacez-en un nouveau.
2. Remplacez le couvercle du trou de vent. Assurez-vous que le caoutchouc d'étanchéité à l'air au bon endroit pour éviter les fuites de vent.

### Remplacer le moteur:

1. Déplacez le couvercle du trou de vent marqué et le couvercle du moteur. Sortez le moteur et remplacez un nouveau moteur.
2. Remplacez le couvercle du moteur. Assurez-vous que le caoutchouc et la mousse de protection du moteur, le caoutchouc d'étanchéité à l'air au bon endroit.
3. Remplacez le couvercle du trou de vent. Assurez-vous que le caoutchouc d'étanchéité à l'air au bon endroit pour éviter les fuites de vent.

# SCHÉMA ÉLECTRIQUE DU MOTEUR DE BROSSE DU SECHE-MAINS

