

ecofrost

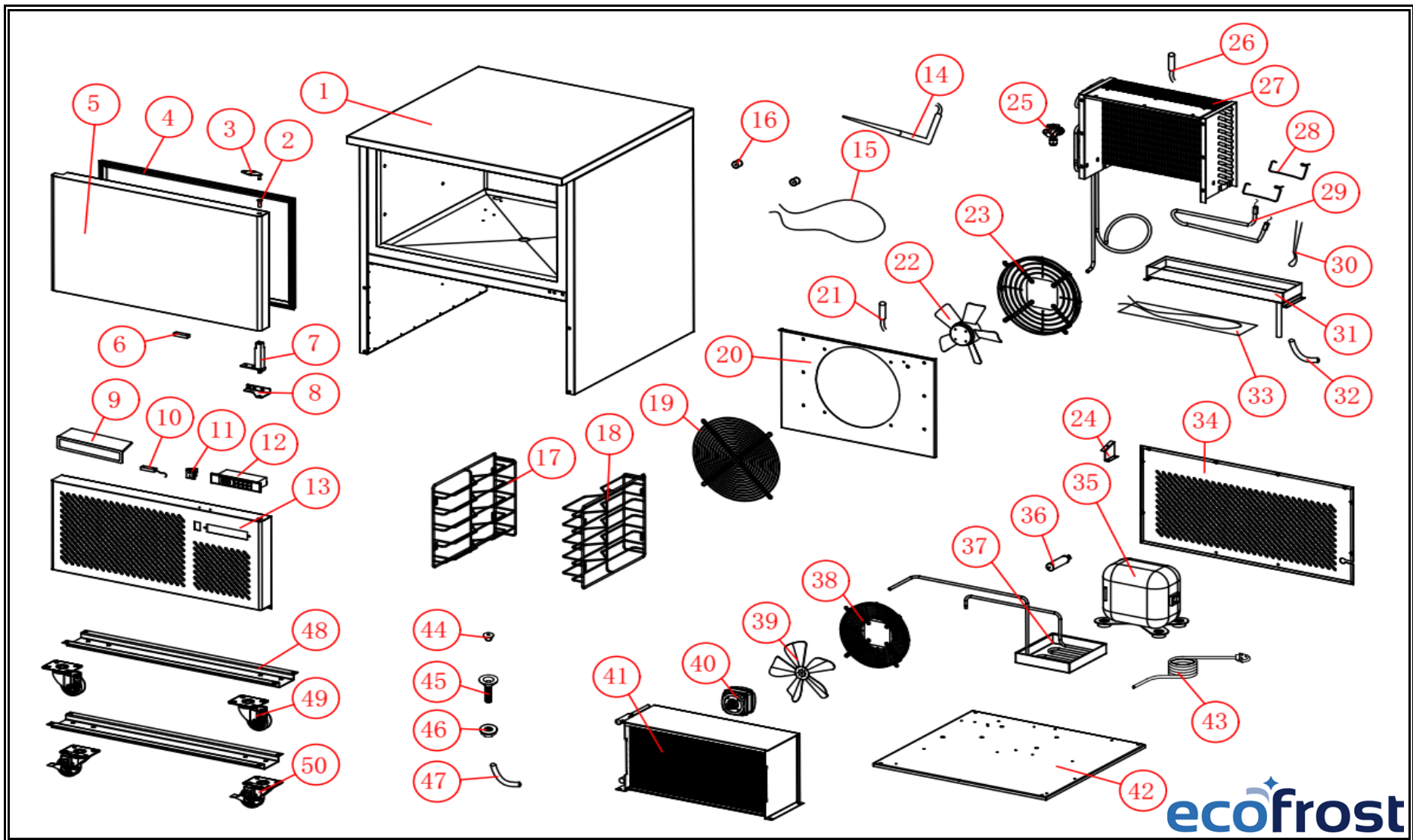
7950.5235

R290

Onderdelen informatie
Erzatzteil information
Spare part information
Information de pièces







| POS: | Art.No.: | Omschrijving: | Aantal: |
|------|-----------|-----------------------------|---------|
| 1 | | cabinet | 1 |
| 2 | 9338.3275 | door axis sleeve | 1 |
| 3 | | right upper hinge | 1 |
| 4 | 9338.3700 | door gasket | 1 |
| 5 | | door | 1 |
| 6 | 9338.3705 | magnet | 1 |
| 7 | 9338.3710 | spring hinge | 1 |
| 8 | 9338.3711 | right bottom hinge | 1 |
| 9 | | controller antiwater cover | 1 |
| 10 | 9338.3706 | magnet switch | 1 |
| 11 | 9344.0105 | power switch | 1 |
| 12 | 9338.3730 | controller | 1 |
| 13 | | panel | 1 |
| 14 | 9338.3720 | core probe | 1 |
| 15 | 9338.3715 | frame heater | 1 |
| 16 | | spacer | 2 |
| 17 | | pan holder(left) | 1 |
| 18 | | pan holder(right) | 1 |
| 19 | | conden.fan cover | 1 |
| 20 | | fan cover | 1 |
| 21 | 9338.3525 | probe | 1 |
| 22 | 9338.3660 | eva. Fan | 1 |
| 23 | | eva fan cover | 1 |
| 24 | | dryer filter mounting plate | 1 |
| 25 | 9338.3665 | expansion valve | 1 |
| 26 | 9338.3520 | eva. probe | 1 |
| 27 | | evaporator | 1 |
| 28 | | defrost heater clip | 2 |
| 29 | 9338.3375 | defrost heater | 1 |
| 30 | 9338.3510 | draining heater | 1 |
| 31 | 9338.3380 | inner water box | 1 |
| 32 | | transparent hose | 1 |
| 33 | 9338.3385 | eva. drain pan heater | 1 |
| 34 | | back cover | 1 |
| 35 | 9338.3390 | compressor | 1 |
| 36 | 9338.3370 | dryer filter | 1 |
| 37 | 9338.3395 | outer water box | 1 |
| 38 | | eva. Fan cover | 1 |
| 39 | | cond. Fan blade | 1 |
| 40 | 9338.3725 | cond.Fan motor | 1 |
| 41 | 9338.3400 | condenser | 1 |
| 42 | | cooling unit board | 1 |
| 43 | | power cord | 1 |

| POS: | Art.No.: | Omschrijving: | Aantal: |
|------|-----------|-----------------------|---------|
| 44 | | water plug | 1 |
| 45 | | drain-pipe | 1 |
| 46 | | drain-pipe but | 1 |
| 47 | | drain-pipe | 1 |
| 48 | | castor mounting plate | 2 |
| 49 | 9338.3095 | castor | 2 |
| 50 | 9338.3100 | castor(with brake) | 2 |