



**MOD : LFD-06L**

**Production code : P010210DIA**

**03/2025**

# EV3 300 series

## Temperature modules for basic ovens



**PLEASE READ CAREFULLY**  
and save this document  
**CONSIDER THE ENVIRONMENT**

### EN ENGLISH

- user interface with push encoder or touch keys (according to the model).
- 230 VAC or 12 VAC/DC power supply (according to the model).
- regulation probe (J/K).
- multi-purpose input.
- relay output, 5 A res. @ 250 VAC or open collector, 12 VDC, 10 mA for SSR module control (according to the model).
- alarm buzzer.
- on-off/PID control.
- hot or cold mode regulation.
- operation with programming key.

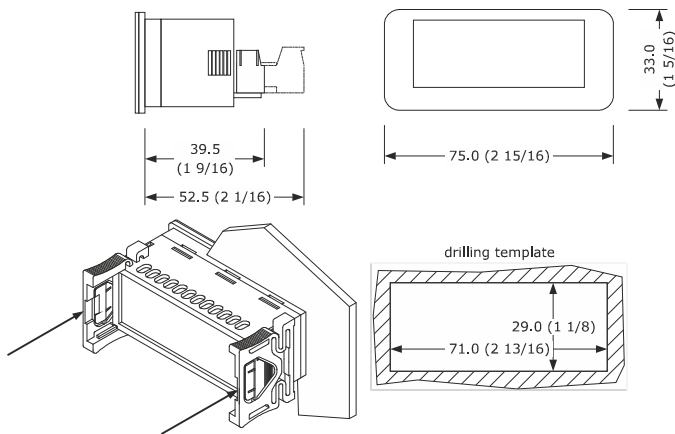
**N.B.**

- the push encoder is not provided.
- for models with a push encoder user interface, it is mandatory.
- models with a touch key user interface also operate with push encoder.

| Purchasing code | User interface | Power supply | Output                        |
|-----------------|----------------|--------------|-------------------------------|
| EV3301J2        | push encoder   | 12 VAC/DC    | relay, 5 A res.               |
| EV3301J7        | push encoder   | 230 VAC      | relay, 5 A res.               |
| EV3301J7VR0     | push encoder   | 230 VAC      | open collector, 12 VDC, 10 mA |
| EV3311J2        | touch keys     | 12 VAC/DC    | relay, 5 A res.               |
| EV3311J7        | touch keys     | 230 VAC      | relay, 5 A res.               |
| EV3311J7VR0     | touch keys     | 230 VAC      | open collector, 12 VDC, 10 mA |

### 1 MEASUREMENTS AND INSTALLATION

Measurements in mm (in); 39.5 (1 9/16) depth with fixed screw terminal blocks, 52.5 (2 1/16) depth with plug-in screw terminal blocks.  
To be fitted to a panel, snap-in brackets provided.



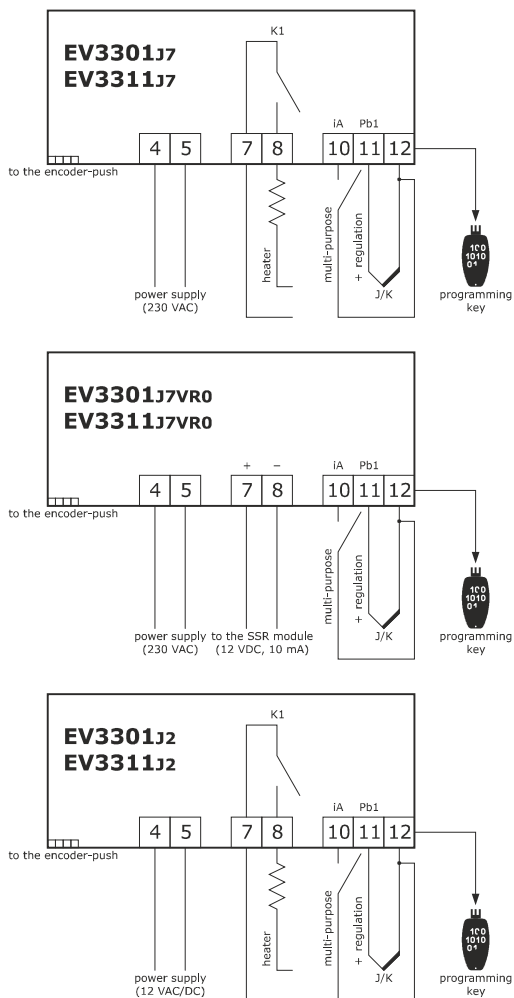
### INSTALLATION PRECAUTIONS

- the thickness of the panel must be between 0.8 and 2.0 mm (1/32 and 1/16 in).
- ensure that the working conditions are within the limits stated in the *TECHNICAL SPECIFICATIONS* section.
- do not install the device close to heat sources, equipment with a strong magnetic field, in places subject to direct sunlight, rain, damp, excessive dust, mechanical vibrations or shocks.
- in compliance with safety regulations, the device must be installed properly to ensure adequate protection from contact with electrical parts. All protective parts must be fixed in such a way as to need the aid of a tool to remove them.

### 2 ELECTRICAL CONNECTION

**N.B.**

- use cables of an adequate section for the current running through them.
- ensure that the thermocouple is properly insulated from contact with metal parts or use an already insulated thermocouple.
- if necessary, extend the thermocouple cable using a compensating cable.
- to reduce any electromagnetic interference locate the power cables as far away as possible from the signal cables.



### PRECAUTIONS FOR ELECTRICAL CONNECTION

- if using an electrical or pneumatic screwdriver, adjust the tightening torque.
- if the device is moved from a cold to a warm place, humidity may cause condensation to form inside. Wait for about an hour before switching on the power.
- make sure that the supply voltage, electrical frequency and power are within the set limits. See the section *TECHNICAL SPECIFICATIONS*.
- disconnect the power supply before carrying out any type of maintenance.
- do not use the device as a safety device.
- for repairs and for further information, contact the EVCO sales network.

### 3 FIRST-TIME USE

1. Carry out the installation following the instructions given in the section *MEASUREMENTS AND INSTALLATION*.
2. Power up the device as set out in the section *ELECTRICAL CONNECTION*: an internal test will start up. The test normally takes a few seconds; when it is finished the display will switch off.
3. Configure the device as shown in the section *Setting configuration parameters*.

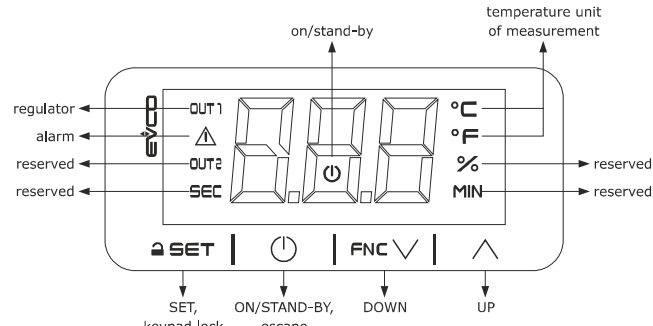
Recommended configuration parameters for first-time use:

| PAR. | DEF. | PARAMETER                    | MIN... MAX.                   |
|------|------|------------------------------|-------------------------------|
| SP   | 0    | setpoint                     | r1... r2                      |
| P0   | 2    | type of probe                | 2 = J      3 = K              |
| P2   | 0    | temperature measurement unit | 0 = °C    1 = °F              |
| r5   | 1    | hot or cold mode regulation  | 0 = cold mode<br>1 = hot mode |

Then check that the remaining settings are appropriate; see the section *CONFIGURATION PARAMETERS*.

4. Disconnect the device from the mains.
5. Make the electrical connection as shown in the section *ELECTRICAL CONNECTION* without powering up the device.
6. If necessary, connect the push encoder.
7. Power up the device.

### 4 USER INTERFACE AND MAIN FUNCTIONS



#### 4.1 Switching the device on/off

To switch on push encoder models:

1. Press the encoder.

To switch off push encoder models:

1. Press the encoder for 2 s.

To switch on touch key models:

1. Touch the ON/STAND-BY key.

To switch off touch key models:

1. Touch the ON/STAND-BY key for 2 s.

If the device is switched on, the display will show the P5 value ("regulation temperature" default); if the display shows an alarm code, see the section *ALARMS*.

| LED   | ON                  | OFF                | FLASHING  |
|-------|---------------------|--------------------|---|
| OUT1  | regulator active    | -                  | - regulator protection active<br>- setpoint being set |
| !     | alarm active        | -                  | -   |
| OUT2  | unused              | -                  | -   |
| SEC   | unused              | -                  | -   |
|       | device switched off | device switched on | device being switched off                             |
| °C/°F | temperature display | -                  | -   |
| %     | unused              | -                  | -   |
| MIN   | unused              | -                  | -   |

If Loc = 1 and 30 s have elapsed without the keys being pressed, the display will show the "Loc" label and the keypad will lock automatically.

#### 4.2 Unlocking the keypad

Touch a key for 1 s: the display will show the label "UnL".

#### 4.3 Setting the setpoint

For push encoder models:

1. Rotate the encoder.
2. Rotate the encoder within 15 s to set the value within the limits r1 and r2 (default "0... 350").
3. Press the encoder.
4. Take no action for 15 seconds to exit the procedure in advance: the device will not save the entered value.

For touch key models:

- check that the keypad is not locked.

  1. Touch the SET key.
  2. Touch the UP or DOWN keys within 15s to set the value within the limits r1 and r2 (default "0... 350").
  3. Touch the SET key.
  4. Touch the ON/STAND-BY key (or take no action for 15 s) to exit the procedure in advance: the device will not save the entered value.

#### 4.4 Silencing the buzzer

For push encoder models:

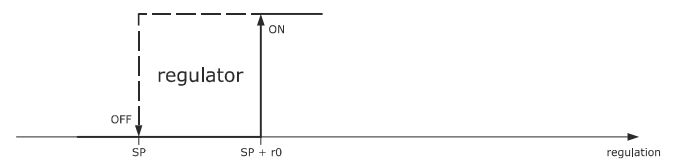
- rotate or press the encoder.

For touch key models:

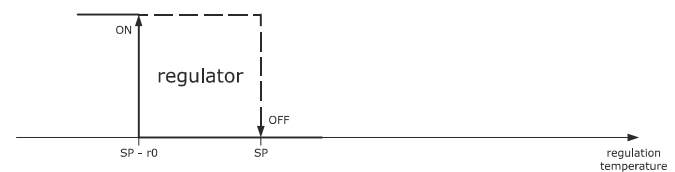
- touch a key.

### 5 OPERATION WITH ON-OFF CONTROL

Cold mode regulation (r5 = 0).



Hot mode regulation (r5 = 1).



### 6 SETTINGS

#### 6.1 Setting configuration parameters

**N.B.**  
Changing parameter P2 from °C to °F (and vice versa) causes the value of the parameters whose unit of measurement is °C or °F to be changed automatically.

For push encoder models:

- make sure that the device is switched off.

  1. Press the encoder for 4 s: the display will show the label "PA".
  2. Press the encoder.
  3. Rotate the encoder within 15 s to set the PAS value (default "-19").
  4. Press the encoder (or take no action for 15 s): the display will show the label "SP".
  5. Rotate the encoder to select a parameter.
  6. Press the encoder.
  7. Rotate the encoder within 15 s to set the value.
  8. Press the encoder (or take no action for 15 s).
  9. Press the encoder for 4 s (or take no action for 60 s) to exit the procedure.

For touch key models:

- make sure that the device is switched off.

  1. Touch the SET key for 4 s: the display will show the label "PA".
  2. Touch the SET key.
  3. Touch the UP or DOWN key within 15s to set the PAS value (default "-19").
  4. Touch the SET key (or take no action for 15s): the display will show the label "SP".
  5. Touch the UP or DOWN key to select a parameter.
  6. Touch the SET key.
  7. Touch the UP or DOWN key within 15s to set the value.
  8. Touch the SET key (or take no action for 15s).
  9. Touch the SET key for 4s (or take no action for 60s) to exit the procedure.

#### 6.2 Restoring factory settings (default) and saving customised settings

**N.B.**

- Check that the factory settings are appropriate; see the section *CONFIGURATION PARAMETERS*.
- Saving customised settings overwrites the factory settings.

For push encoder models:

- make sure that the device is switched off.

  1. Press the encoder for 4 s: the display will show the label "PA".
  2. Press the encoder.
  3. Rotate the encoder within 15 s to set the value.

| VAL. | DESCRIPTION   |
|------|---|
| 149  | value for restoring the factory information (default) |
| 161  | value for saving customised settings                  |

  4. Press the encoder (or take no action for 15 s): the display will show the label "dEF" (for setting the "149" value) or the label "MAP" (for setting the "161" value).
  5. Press the encoder.
  6. Rotate the encoder within 15 s to set the value "4".
  7. Press the encoder (or take no action for 15 s): the display will show "- -" flashing for 4 s, after which the device will exit the procedure.
  8. Disconnect the device from the power supply.
  9. Press the encoder for 2s before action 6 to exit the procedure beforehand.

For touch key models:

- make sure that the device is switched off.

  1. Touch the SET key for 4 s: the display will show the label "PA".
  2. Touch the SET key.
  3. Touch the UP or DOWN key within 15s to set the value.

| VAL. | DESCRIPTION   |
|------|---|
| 149  | value for restoring the factory information (default) |
| 161  | value for saving customised settings                  |

  4. Touch the SET key (or take no action for 15 s): the display will show the label "dEF" (for setting the "149" value) or the label "MAP" (for setting the "161" value).
  5. Touch the SET key.
  6. Touch the UP or DOWN key within 15s to set "4".
  7. Touch the SET key (or take no action for 15 s): the display will show "- -" flashing for 4 s, after which the device will exit the procedure.
  8. Disconnect the device from the power supply.
  9. Touch the SET key for 2s before action 6 to exit the procedure beforehand.

**7 CONFIGURATION PARAMETERS**

| No.                          | PAR. | DEF.  | SETPOINT  | MIN... MAX.  |
|------------------------------|------|-------|---|--|
| 1                            | SP   | 0     | setpoint  | r1... r2   |
| <b>ANALOGUE INPUTS</b>       |      |       |   |  |
| 2                            | CA1  | 0     | regulation probe offset   | -25... 25 °C/°F  |
| 3                            | P0   | 2     | type of probe   | 2 = J 3 = K  |
| 4                            | P2   | 0     | temperature measurement unit  | 0 = °C 1 = °F  |
| 5                            | P4   | 1     | enable regulator LED  | 0 = no 1 = yes   |
| 6                            | P5   | 0     | value displayed   | 0 = regulation temperature<br>1 = setpoint<br>2 = setpoint if regulation temperature > setpoint,<br>regulation temperature if regulation temperature < setpoint - P6 |
| 7                            | P6   | 20    | display unlock threshold for P5 = 2                                     | 1... 99 °C/°F<br>setpoint - P6   |
| 8                            | P7   | 0     | display with device switched off  | 0 = display off + on/standby LED on<br>1 = regulation temperature + on/standby LED on<br>2 = label OFF + on/stand-by LED off   |
| 9                            | P8   | 5     | display refresh time  | 0... 250 s; 10   |
| <b>REGULATION</b>            |      |       |   |  |
| 10                           | r0   | 5     | setpoint differential   | 1... 99 °C/°F<br>if u0 = 3, cold mode regulation differential  |
| 11                           | r1   | 0     | minimum setpoint  | -199 °C/°F... r2   |
| 12                           | r2   | 350   | maximum setpoint  | r1... 999 °C/°F  |
| 13                           | r5   | 1     | hot or cold mode regulation   | 0 = cold mode<br>1 = hot mode  |
| 14                           | r11  | 0     | setpoint offset from digital input                                      | -199... 999 °C/°F  |
| 15                           | r14  | 0     | proportional band   | 0... 999 °C/°F<br>0 = PID control disabled   |
| 16                           | r15  | 60    | integral action time  | 0... 999 s   |
| 17                           | r16  | 30    | derivative action time  | 0... 999 s   |
| 18                           | r17  | 180   | PID regulator cycle time  | 1... 999 s   |
| 19                           | r18  | 0     | PID regulator minimum time on   | 0... 240 s   |
| 20                           | r19  | 0     | PID regulator minimum time off  | 0... 240 s   |
| <b>REGULATOR PROTECTIONS</b> |      |       |   |  |
| 21                           | C1   | 0     | minimum time between two power-ons of regulator                         | 0... 240 min   |
| 22                           | C2   | 0     | minimum time off and delay from power-on of regulator                   | 0... 240 min   |
| 23                           | C3   | 0     | regulator minimum time on   | 0... 240 s   |
| 24                           | C4   | 0     | regulator activity during regulation probe alarm                        | 0 = off 1 = on   |
| <b>ALARMS</b>                |      |       |   |  |
| 25                           | A1   | 0     | temperature alarm threshold   | -199... 999 °C/°F  |
| 26                           | A2   | 0     | temperature alarm type  | 0 = disabled<br>1 = absolute low<br>2 = absolute high<br>3 = low relative to setpoint<br>4 = high relative to setpoint   |
| 27                           | A3   | 0     | temperature alarm delay   | 0... 999 min   |
| 28                           | A7   | 0     | temperature alarm delay after modifying setpoint and power-on           | 0... 999 min   |
| 29                           | A8   | 0     | additional alarm signal delay after silencing if the condition persists | 0... 999 min   |
| 30                           | A11  | 2     | temperature alarm switch off differential                               | 1... 99 °C/°F  |
| <b>DIGITAL INPUTS</b>        |      |       |   |  |
| 31                           | i5   | 0     | multi-purpose input function  | 0 = disabled<br>1 = alarm iA<br>2 = alarm iA + regulator off<br>3 = switches device on/off<br>4 = modifies setpoint  |
| 32                           | i6   | 0     | multi-purpose input activation  | 0 = with contact closed<br>1 = with contact open   |
| 33                           | i7   | 0     | multi-purpose input alarm delay   | 0... 999 s   |
| <b>SECURITY</b>              |      |       |   |  |
| 34                           | Loc  | 1     | enable keypad lock  | 0 = no 1 = yes<br>not available for EV3301   |
| 35                           | PAS  | -19   | password  | -99... 999<br>do not set "149" or "161"  |
| 36                           | nS1  | - - - | display of K1 relay start-ups in thousands                              | 0... 999 start-ups x 1,000   |


**8 ALARMS**

| COD. | DESCRIPTION               | RESET     | TO CORRECT   |
|------|---------------------------|-----------|--|
| Pr1  | regulation probe alarm    | automatic | - check P0<br>- check probe integrity<br>- check electrical connection |
| AL   | temperature alarm         | automatic | check A1 and A2  |
| iA   | multi-purpose input alarm | automatic | check i5 and i6  |

**9 TECHNICAL SPECIFICATIONS**

|   |  |                                      |
|---|--|--------------------------------------|
| Purpose of the control device   | function controller  |                                      |
| Construction of the control device  | built-in electronic device   |                                      |
| Container   | black, self-extinguishin   |                                      |
| Category of heat and fire resistance  | D  |                                      |
| <b>Measurements</b>   |  |                                      |
| 75.0 x 33.0 x 39.5 mm (2 15/16 x 1 5/16 x 1 9/16 in) with fixed screw terminal blocks | 75.0 x 33.0 x 52.5 mm (2 15/16 x 1 5/16 x 2 15/16 in) with plug-in screw terminal blocks |                                      |
| Mounting methods for the control device   | to be fitted to a panel, snap-in brackets provided                                       |                                      |
| Degree of protection provided by the covering   | IP65 (front)   |                                      |
| <b>Connection method</b>  |  |                                      |
| fixed screw terminal blocks for wires up to 2.5 mm <sup>2</sup>                       | plug-in screw terminal blocks for wires up to 2.5 mm <sup>2</sup> (on request)           | JST connector                        |
| <b>Maximum permitted length for connection cables</b>                                 |  |                                      |
| power supply: 10 m (32.8 ft)  | analogue inputs: 10 m (32.8 ft)  |                                      |
| digital inputs: 10 m (32.8 ft)  | digital outputs: 10 m (32.8 ft)  |                                      |
| Operating temperature   | from 0 to 60 °C (from 32 to 140 °F)  |                                      |
| Storage temperature   | from -25 to 70 °C (from -13 to 158 °F)   |                                      |
| Operating humidity  | relative humidity without condensate from 10 to 90%                                      |                                      |
| Pollution status of the control device  | 2  |                                      |
| <b>Compliance:</b>  |  |                                      |
| RoHS 2011/65/EC   | WEEE 2012/19/EU  | REACH (EC) Regulation no. 1907/2006  |
| EMC 2014/30/EU  | LVD 2014/35/EU   |                                      |
| <b>Power supply:</b>  |  |                                      |
| 230 VAC (+10 % -15 %), 50/60 Hz (±3 Hz), max. 2 VA in EV3... J7                       |  |                                      |
| 12 VAC/DC (+10% -15%), 50/60 Hz (±3 Hz), max. 5 VA/3W in EV3... J2                    |  |                                      |
| Earthing methods for the control device   | none   |                                      |
| Rated impulse-withstand voltage   | 4 KV   |                                      |
| Over-voltage category   | III  |                                      |
| Software class and structure  | A  |                                      |
| <b>Analogue inputs</b>  |  |                                      |
| 1 for J/K thermocouples (regulation probe)  |  |                                      |
| J thermocou-<br>ples  | Measurement field:   | from 0 to 700 °C (from 32 to 999 °F) |
|   | Resolution:  | 1 °C (1 °F)                          |
| K thermocou-<br>ples  | Measurement field:   | from 0 to 999 °C (from 32 to 999 °F) |
|   | Resolution:  | 1 °C (1 °F)                          |

|   |  |               |
|---|--|---------------|
| Digital inputs                                  | 1 dry contact (multi-purpose)  |               |
| Dry contact                                     | Contact type:  | 5 VDC, 1.5 mA |
|   | Power supply:  | none          |
|   | Protection:  | none          |
| Digital outputs                                 | 1 with electro-mechanical relay (K1) or open collector (ac-<br>cording to the model) |               |
| K1 relay  | SPST, 5 A res. @ 250 VAC   |               |
| Open collector                                  | 6... 14 VDC, 10 mA   |               |
| Type 1 or Type 2 Actions                        | Type 1   |               |
| Additional features of Type 1 or Type 2 actions | C  |               |
| Displays  | LED display, 3 digit, with function icons  |               |
| Alarm buzzer                                    | Built-in   |               |
| Communications ports                            | 1 port for push encoder  |               |

 N.B.  
The device must be disposed of according to local regulations governing the collection of electrical and electronic equipment.

This document and the solutions contained therein are the intellectual property of EVCO and thus protected by the Italian Intellectual Property Rights Code (CPI). EVCO imposes an absolute ban on the full or partial reproduction and disclosure of the content other than with the express approval of EVCO. The customer (manufacturer, installer or end-user) assumes all responsibility for the configuration of the device.  
EVCO accepts no liability for any possible errors in this document and reserves the right to make any changes, at any time without prejudice to the essential functional and safety features of the equipment.