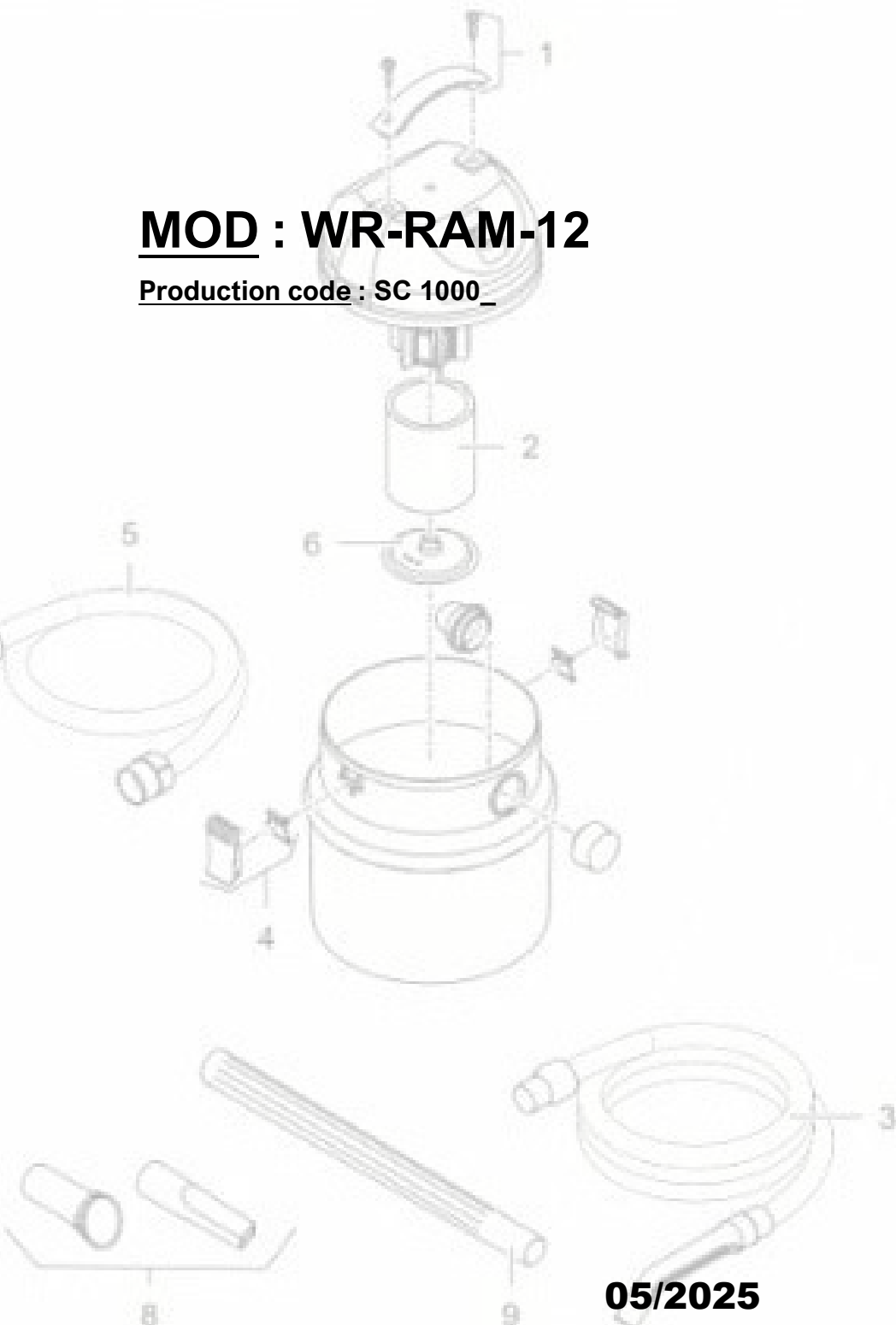
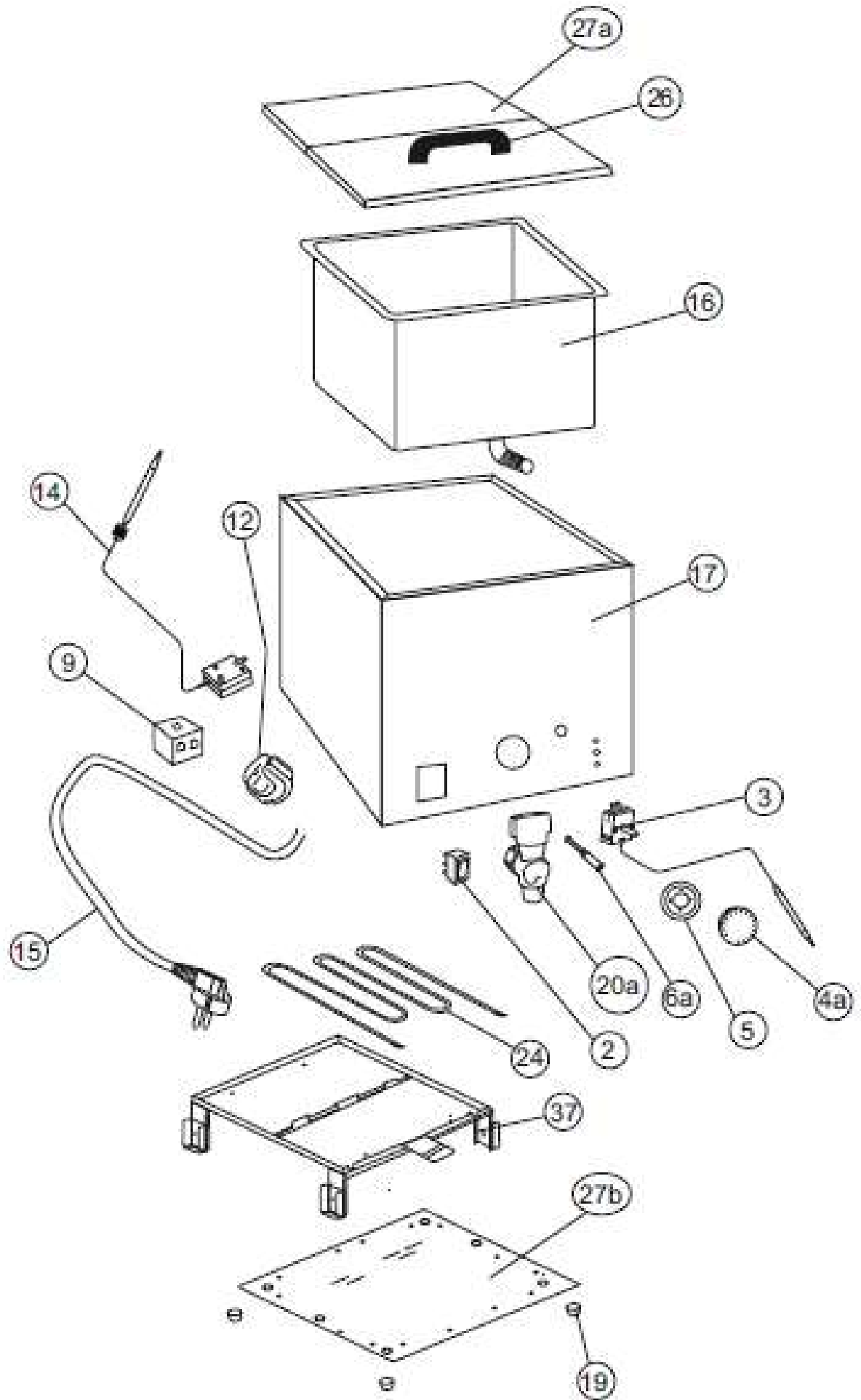


**MOD : WR-RAM-12**

**Production code : SC 1000\_**





**Spare Part List | Liste de Pièces Détachées Mod.: WR-RAM-12  
Item: XDCS 01**

Item #	Code	Designation	Qty
2	07IU009	Switch w/ safe gland	1
3	07TR003	Regulating thermostat	1
4a	06BT001-90	Thermostat knob 90°	1
5	109ES000	Knob accessorie	1
6a	07SL008	Pilot light orange 230V	1
9	07LG002	Ceramic Connecting Block	1
12	06CC001	Strain relief 3x1,5	1
14	07TS010	Safety thermostat	1
15	07CA007	Power cord H05RN F3G1,5mm2	1
16	109CU006TR	Water tank GN1/2 150 w/pipe	1
17	119CS-BDCS01	Body CS 01	1
19	204PBM6S	Set Foot (rubber foot + screw)	4
20a	09TR000	Safe Tap 1/2"	1
24	07RE031	Heating element 1000W/230V	1
26	06PG004	Lid Handle	1
27a	119CS-TST	Lid CS	1
27b	19CS-BS1000	Bottom cover CS 01	1
37	119CS-CHRST1020	Heating element housing CS	1