



MOD : WR-NG41-LV

Production code : QNG 400

04/2025

FRIGORIFERO DIGITALE

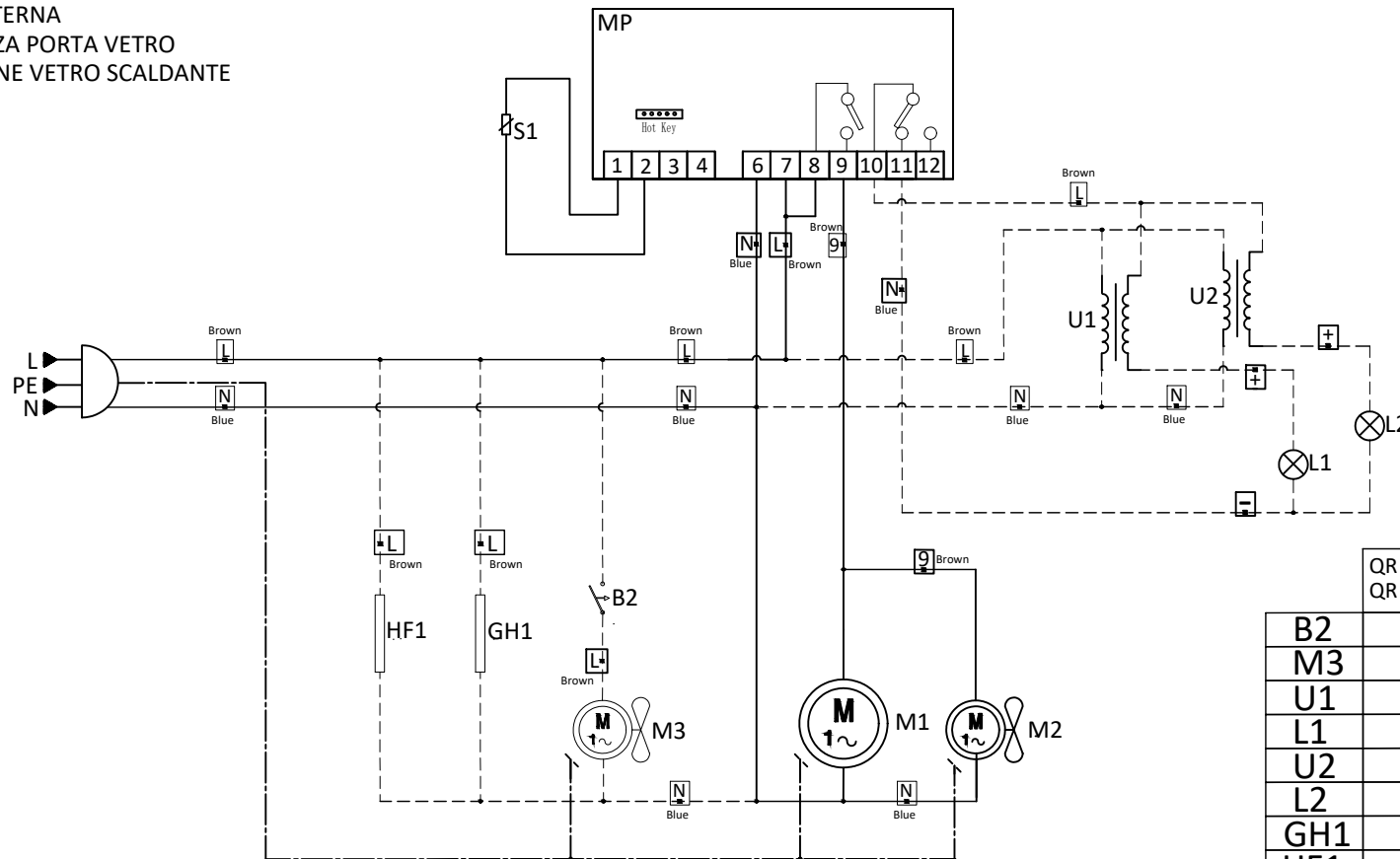
LEGENDA

- B2: INTERUTTOE LUCE INTERNA
- M1: COMPRESSORE
- M2: VENTILATORE CONDENSATORE
- M3: VENTILATORE CELLA
- MP: TERMOREGOLATORE DIGITALE
- S1: SONDA CAMERA
- U1: TRASFORMATTORE
- L1/L2: LUCE INTERNA
- GH1: RESISTENZA PORTA VETRO
- HF1: PROTEZIONE VETRO SCALDANTE

DIGITAL REFRIGERATOR

LEGEND

- B2: INNER LIGHT SWITCH
- M1: COMPRESSOR
- M2: CONDENSER FAN
- M3: STORAGE COMPARTMENT FAN
- MP: DIGITAL THERMOREGULATOR
- S1: ROOM PROBE
- U1: TRANSFORMER
- L1/L2: INNER LIGHT
- GH1: GLASS DOOR HEATER
- HF1: HEATING FILM PROTECTION



	QR 400 QR 600	QRG 400 QRG 600	QN 400 QN 600	QNG 400 QNG 600
B2	X	X		
M3	X	X		
U1		X		X
L1		X		X
U2				X
L2				X
GH1				X
HF1				X

"400/600" ABS RANGE
 CHILLER SOLID/GLASS DOOR and
 FREEZER SOLID/GLASS DOOR