



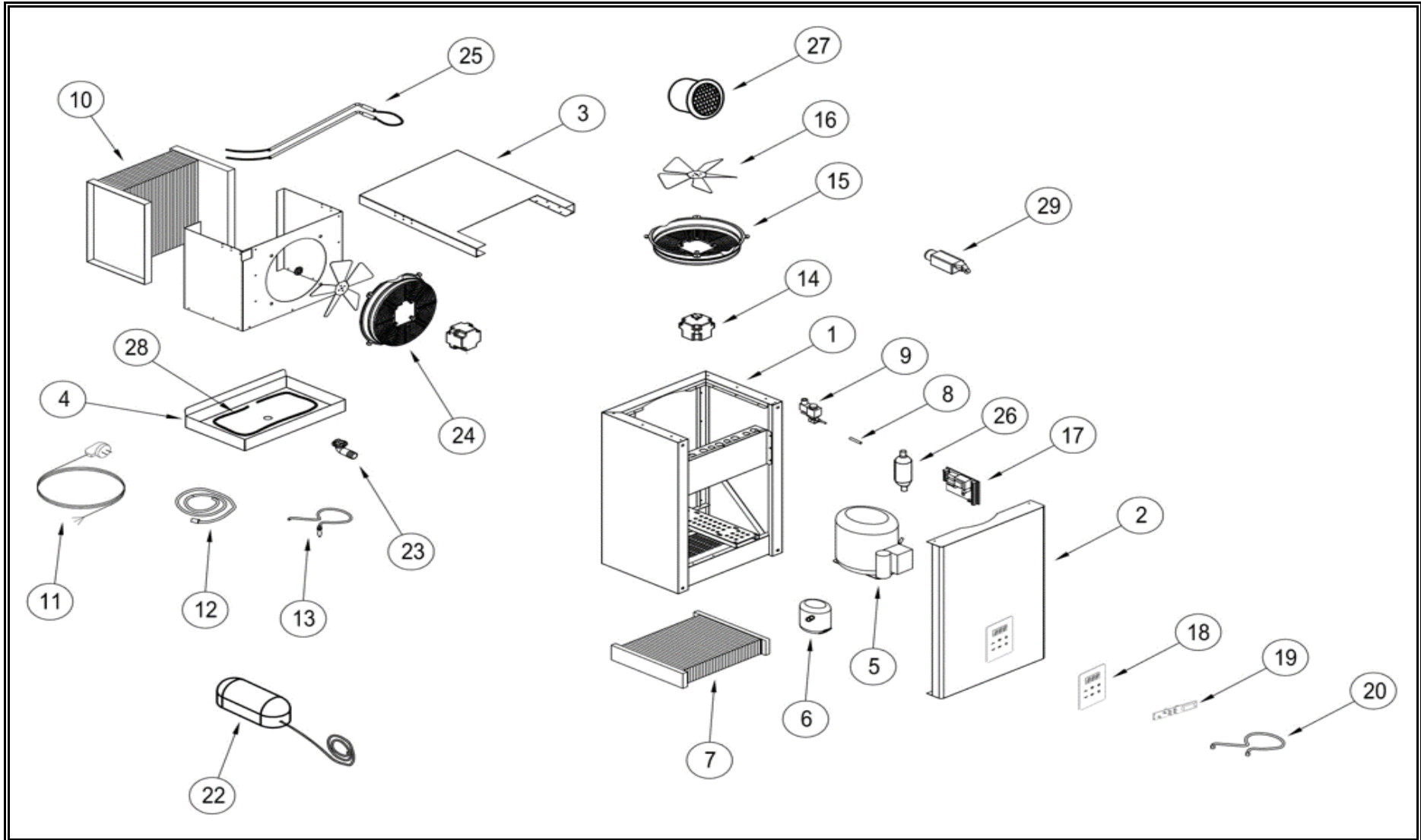
7489.0440

R452a

Onderdelen informatie
Erzatzteil information
Spare part information
Information de pièces







| <i>POS:</i> | <i>Art.No.:</i> | <i>Omschrijving:</i> | <i>Aantal:</i> |
|-------------|-----------------|--------------------------------|----------------|
| 1 | | COOLING GROUP BODY SHEET | 1 |
| 2 | | COOLING GROUP CANOPY SHEET | 1 |
| 3 | | COOLING GROUP EVAP SHEET | 1 |
| 4 | | WATER BOX | 1 |
| 5 | CS9113.0530 | COMPRESSOR--2HP-NTZ 048 | 1 |
| 6 | | LIQUID TANK | 1 |
| 7 | | CONDANSER--(7,6-15,0 m3) 3000W | 1 |
| 8 | CS9180.1950 | EXPENSION VALVE NEEDLE | 1 |
| 9 | CS9113.0725 | EXPENSION VALVE | 1 |
| 10 | | EVAP--(7,6-15,0 m3) DEEP.2000W | 1 |
| 11 | | PLUG CABLE | 1 |
| 12 | CS9390.2290 | PROP (3mt) | 1 |
| 13 | CS9181.2051 | PROP (1,5mt) | 1 |
| 14 | | CONDENSER FAN | 1 |
| 15 | CS9113.0230 | FAN PLASTIC | 1 |
| 16 | CS9995.2417 | EVAPORATOR FAN | 1 |
| 17 | CS9113.0155 | MOTHERBOARD | 1 |
| 18 | | WATERPROOF DIGITAL DISPLAY | 1 |
| 19 | | WATERPROOF DIGITAL FRONT PANEL | 1 |
| 20 | CS9113.1015 | WATER EVAPORATION RESISTOR | 1 |
| 21 | CS9390.2560 | DISPLAY CONNECTION CABLE | 1 |
| 22 | CS9113.2320 | LED LAMP | 1 |
| 23 | | EVAP OUT ELBOW | 1 |
| 24 | | COLD ROOM FAN PLASTIC | 1 |
| 25 | CS9113.0985 | 400W--RESISTANCE | 2 |
| 26 | | DRAYER 3/8" (GMC) | 1 |
| 27 | | PRESSURE VALVE | 1 |
| 28 | CS9113.0995 | DOOR RESISTANCE 7mt | 1 |
| 29 | CS9113.0685 | DOOR SWITCH | 1 |