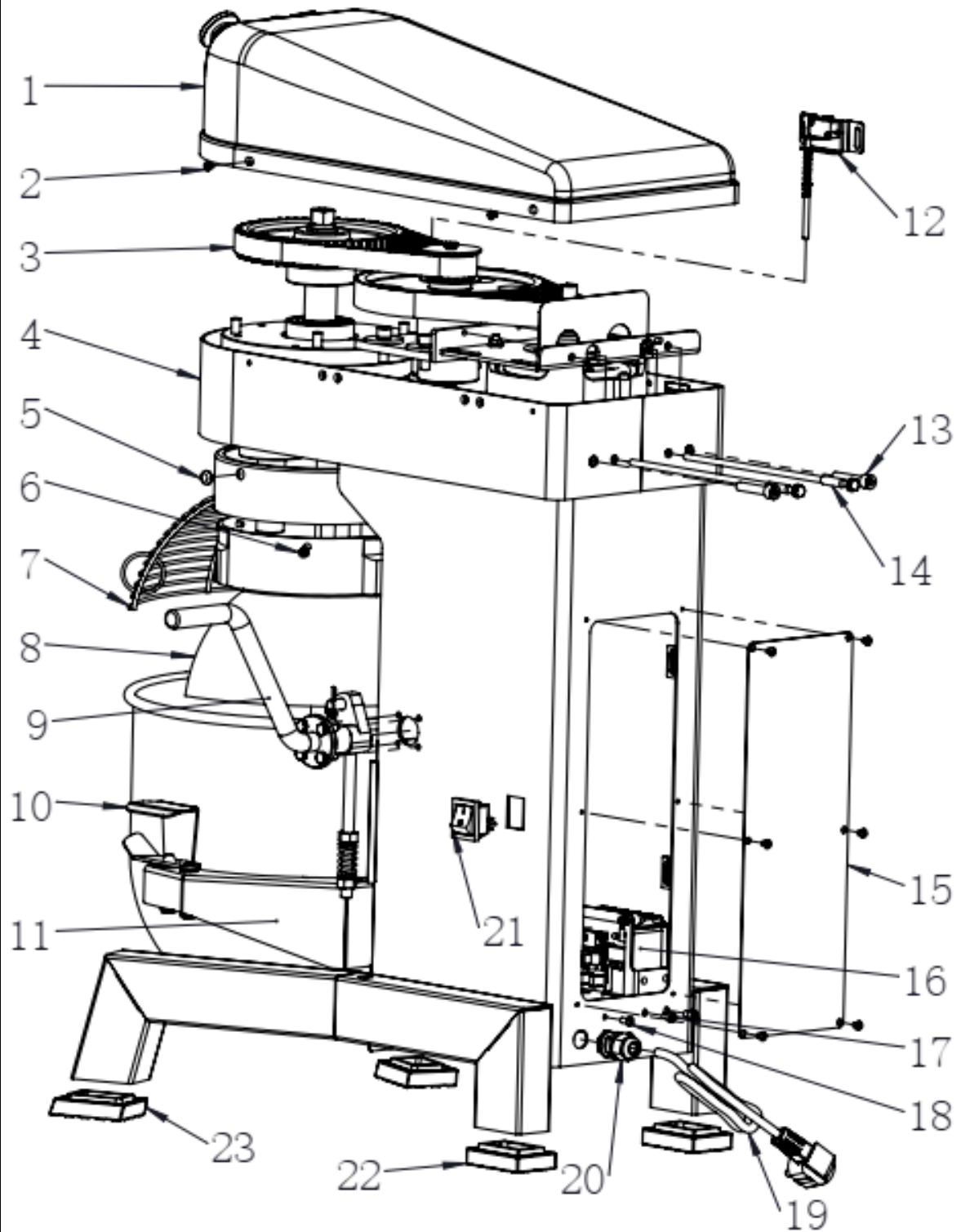
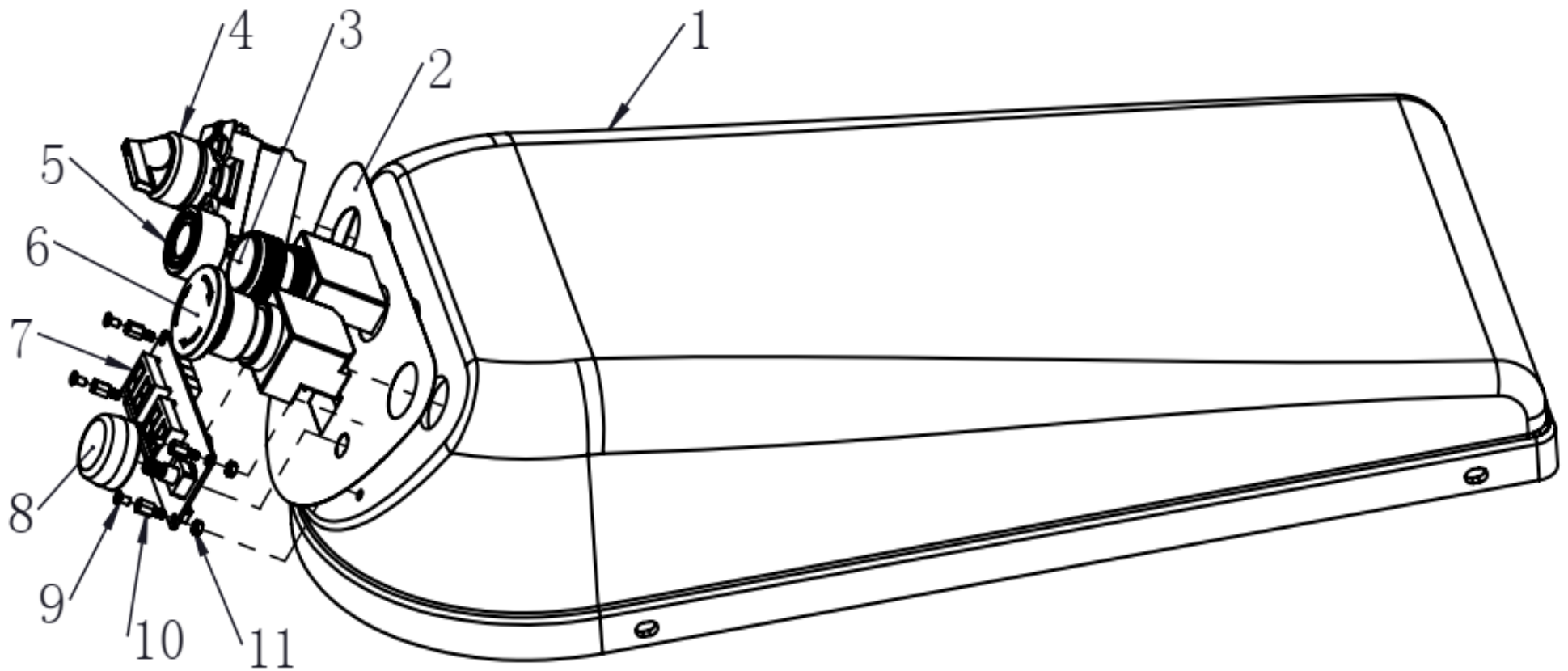




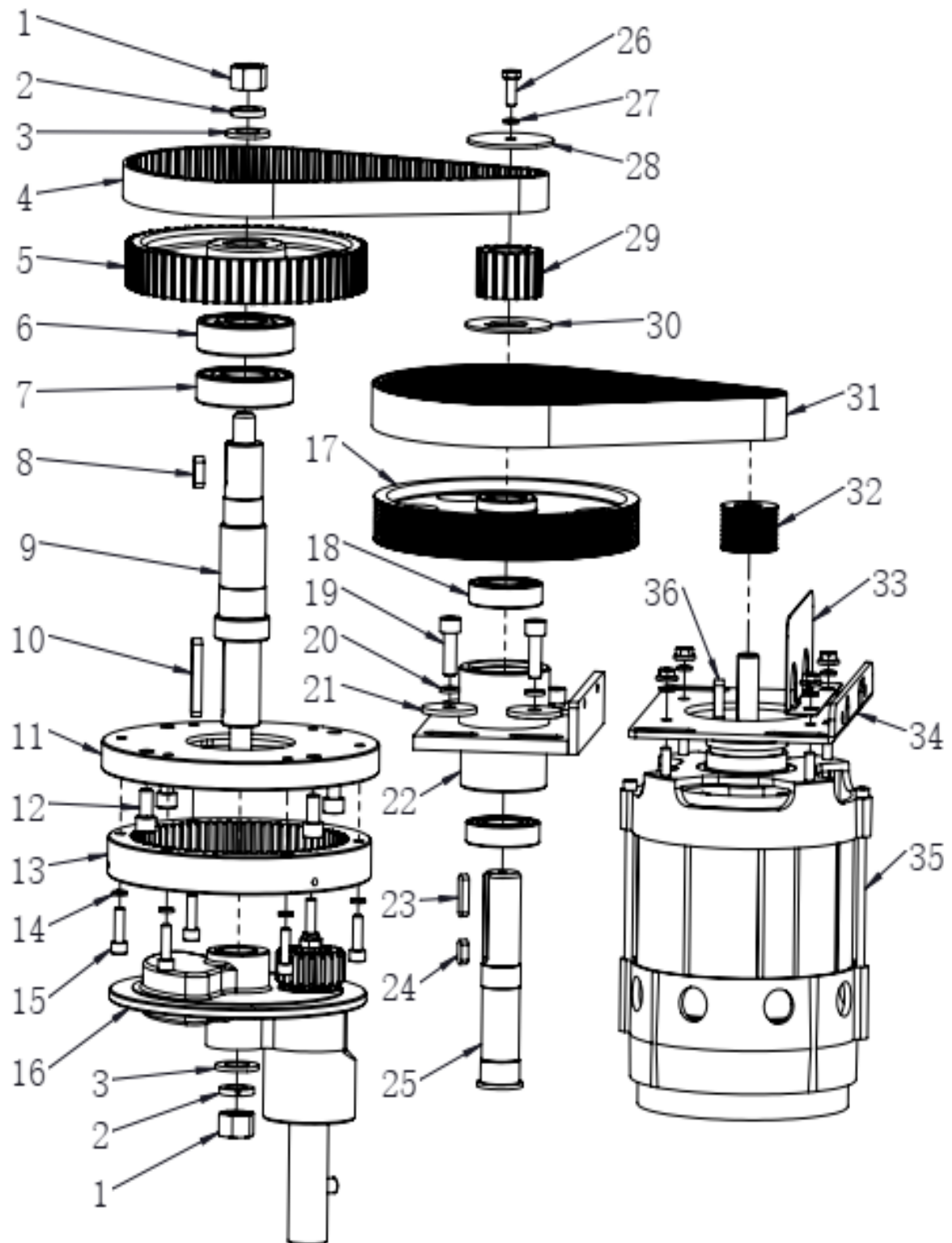
Drawing: 1



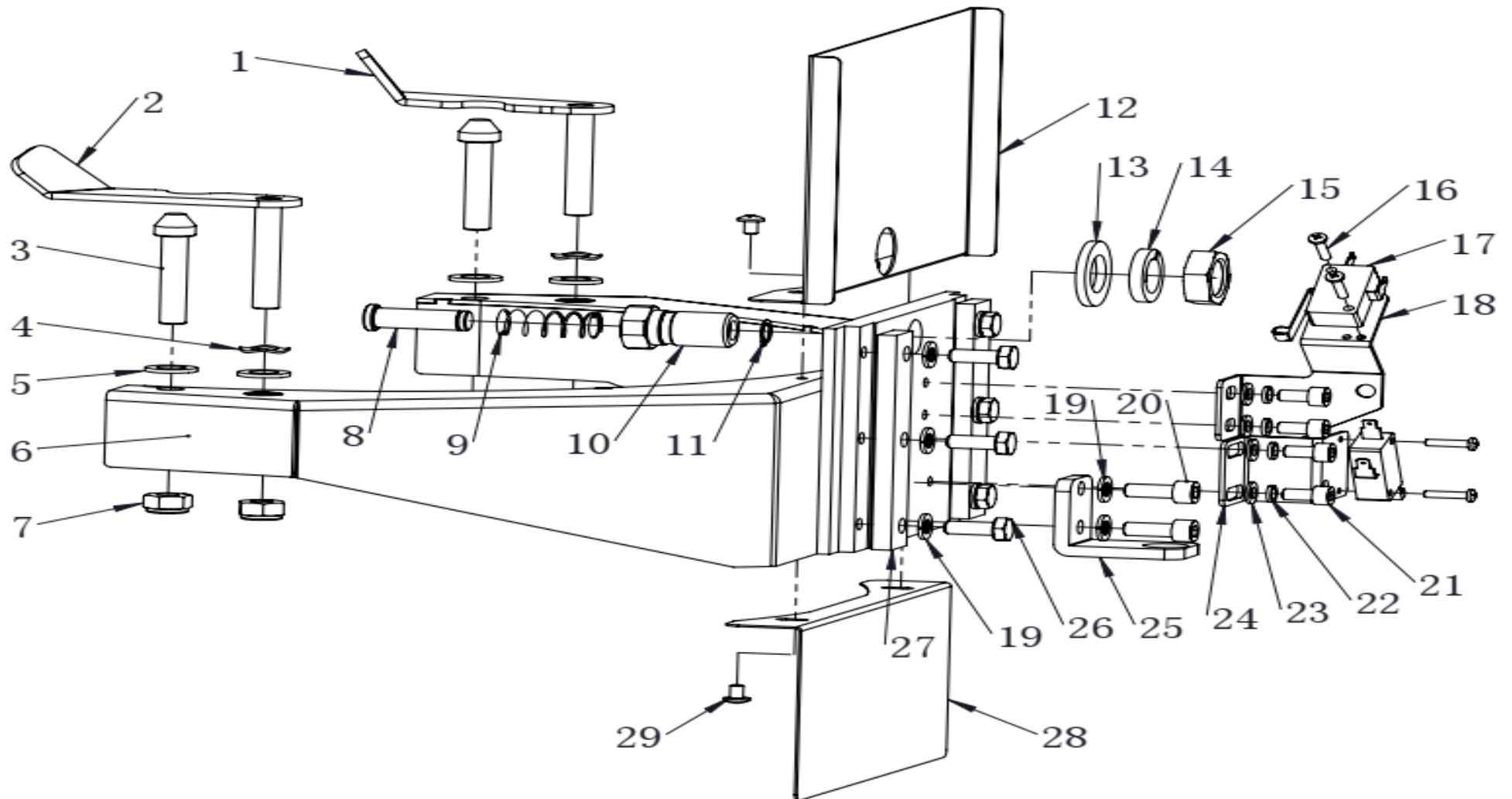
Drawing: 2



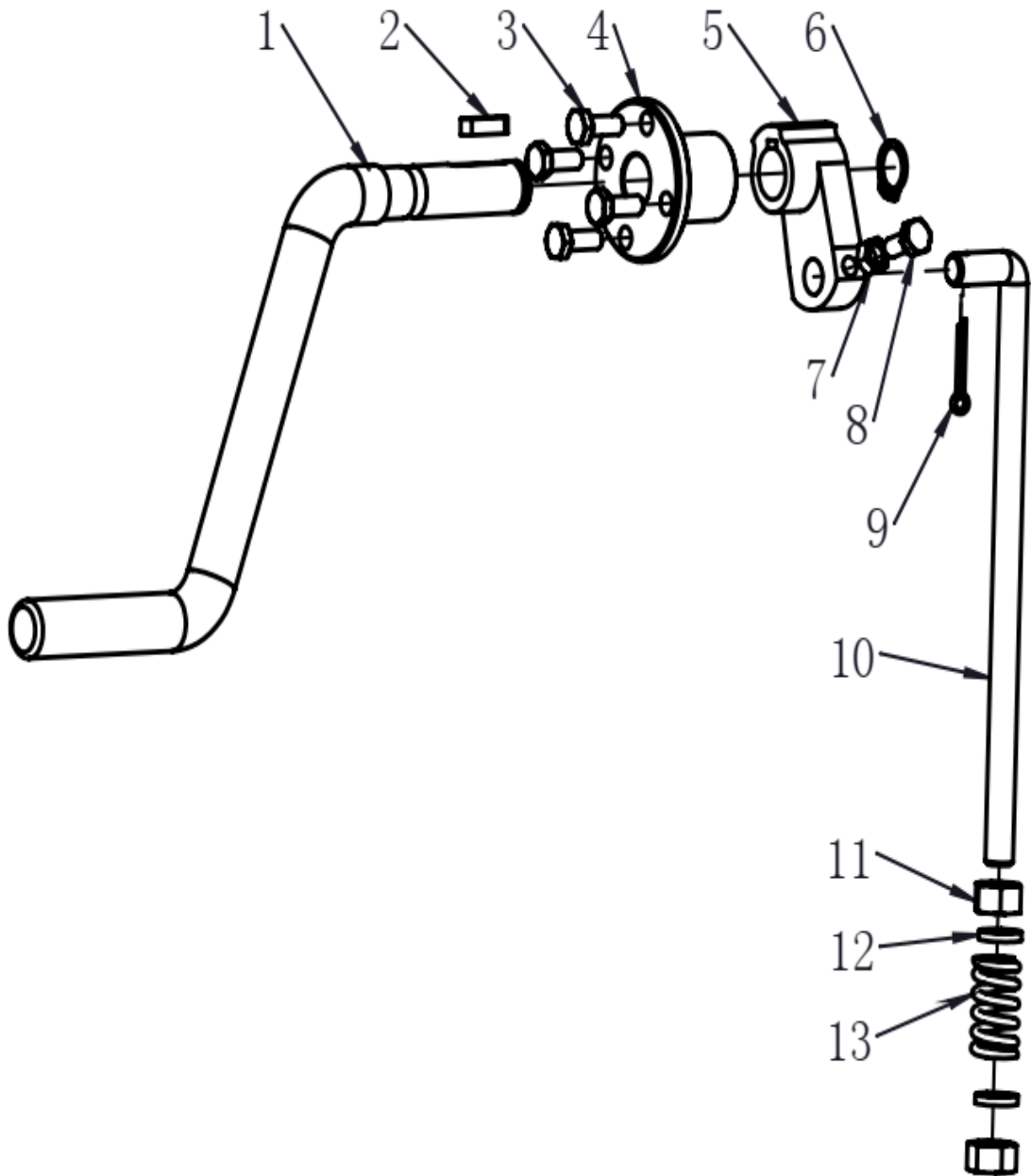
Drawing: 3



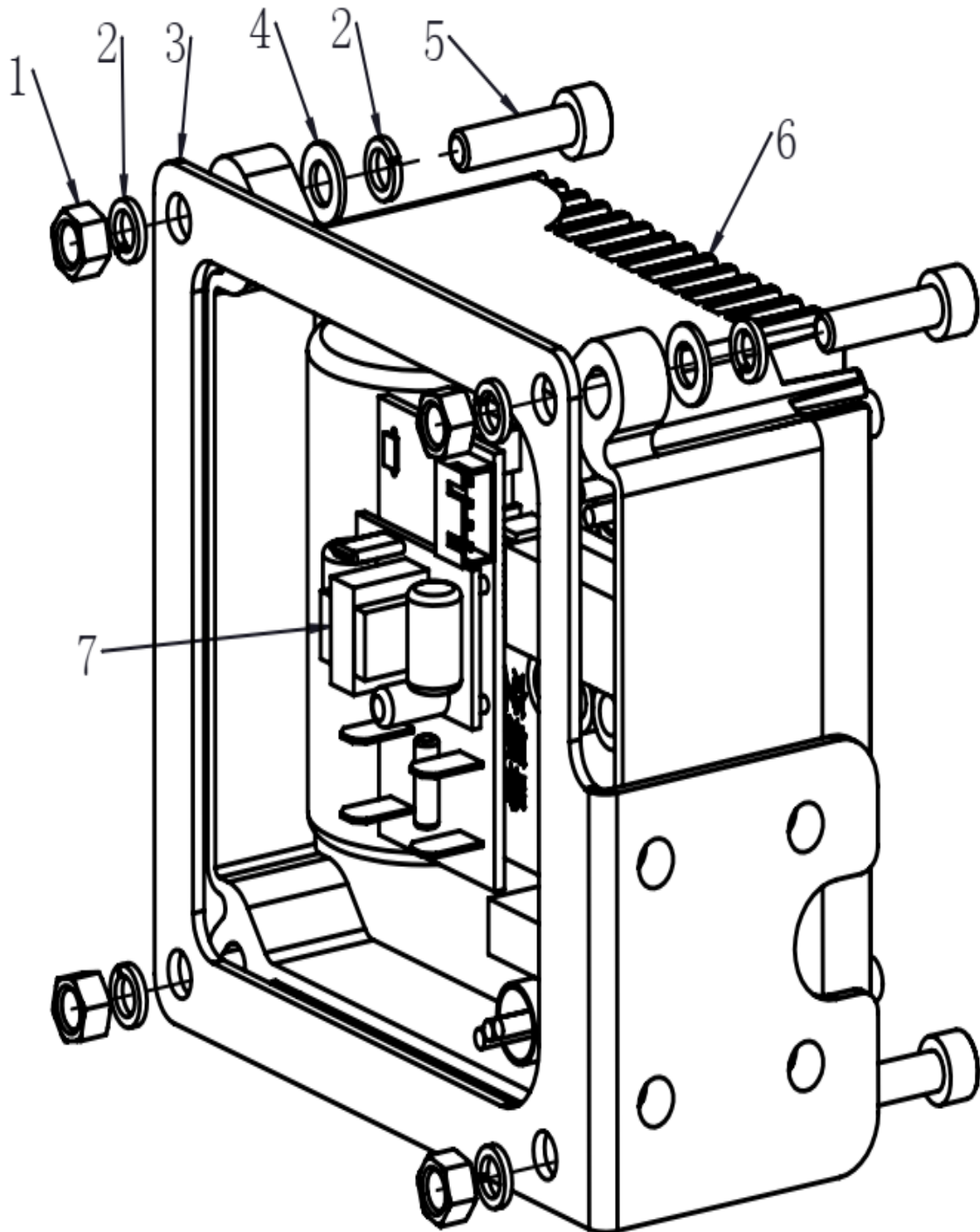
Drawing: 4



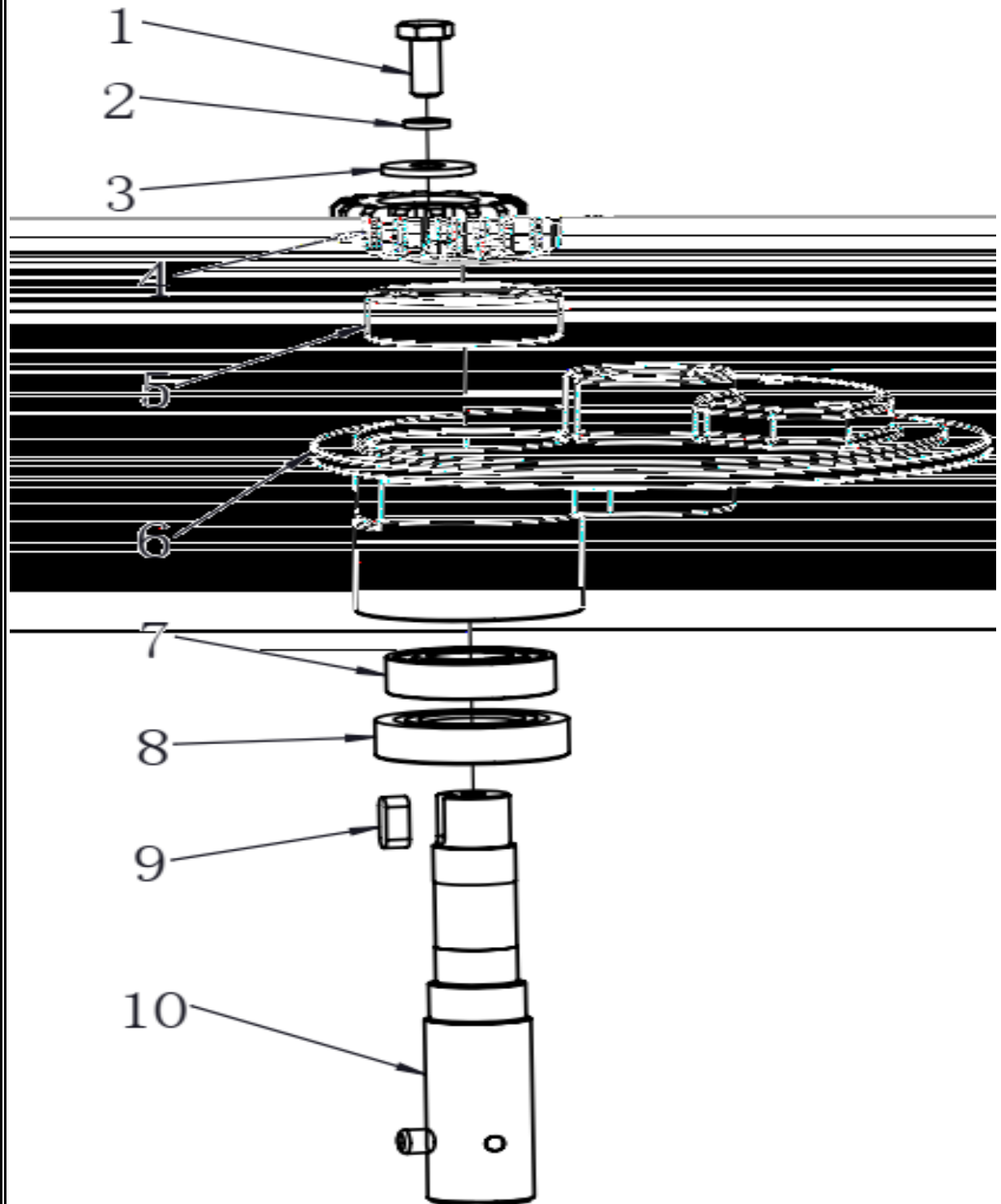
Drawing: 5



Drawing: 6

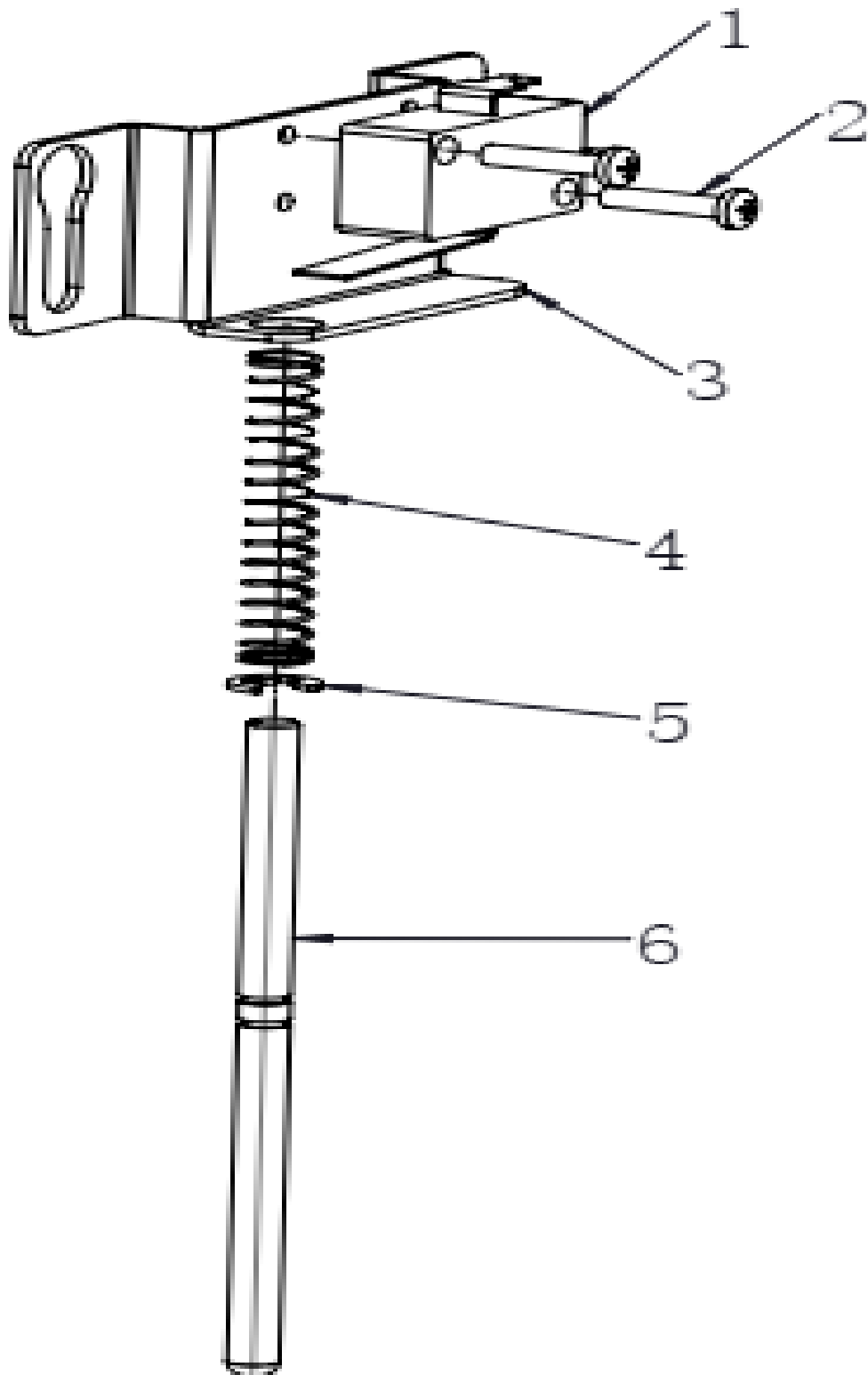


Drawing: 7

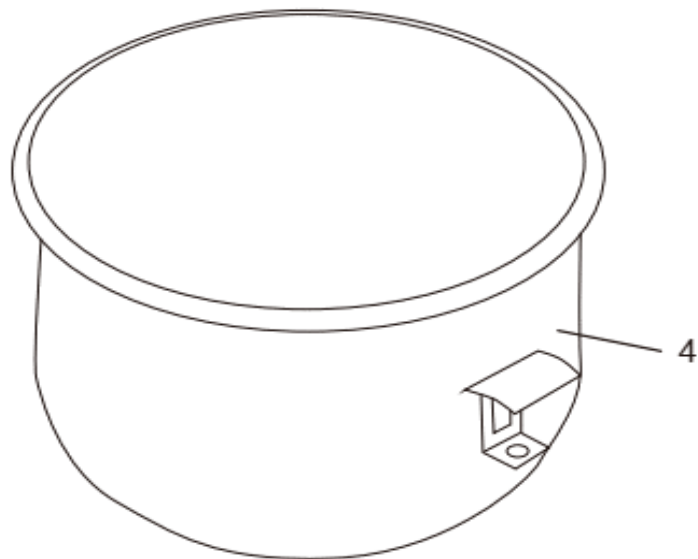
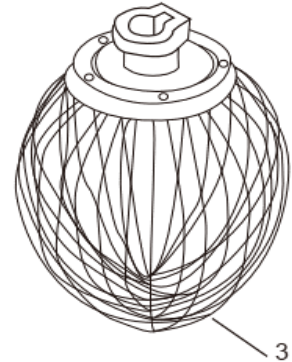
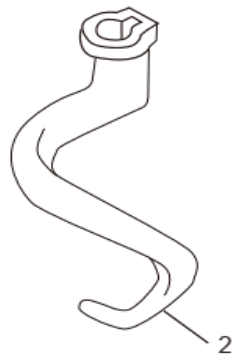
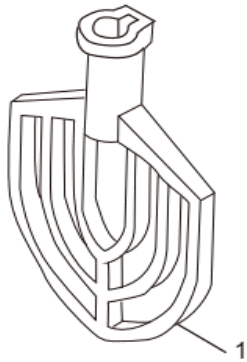




Drawing: 8



Drawing: 9





## Onderdelenlijst 7534.0010

POS:	Art.No.:	Omschrijving:	Aantal:
1-1		Top cover	
1-2		screw M4*6	
1-3		Belt	
1-4		Body	
1-5		Rubber plug	
1-6		screw M5*8	
1-7		Safety net (move)	
1-8		safety net (fixed)	
1-9		Handle	
1-10		Bowl	
1-11		Arm	
1-12		Micro-switch	
1-13		Screw M8*40	
1-14		Screw	
1-15		Rear cover	
1-16		Frequency changer	
1-17		Screw M5*8	
1-18		Screw M5*10	
1-19		Cable	
1-20		Cable Joint	
1-21		Power Switch	
1-22		Rear feet pad	
1-23		Front feet pad	
2-2		panel sticker	
2-3		Start Switch	
2-4		Mix tool selector Switch	
2-5		Rubber Boots	
2-6		Emergency switch	
2-7		Control Panel	
2-8		changer speed switch	
2-9		Screw M3*6	
2-10		Single end studs M3*7+6	
2-11		Nut M3	
3-1		Nut M14	
3-2		Spring gasket 14	
3-3		Gasket 14	
3-4		Belt 5M 565*25	
3-5		Belt wheel 8M 61Z	
3-6		Bearing 6305	
3-7		Bearing 6206	
3-8		key 6*18	
3-9		Center axle	
3-10		Key 6*45	



## Onderdelenlijst 7534.0010

POS:	Art.No.:	Omschrijving:	Aantal:
3-11		Gear ring cover	
3-12		Screw M8*16	
3-13		Inner gear	
3-14		Spring gasket 6	
3-15		Screw M6*20	
3-16		Turning plate	
3-17		Belt wheel 170-Z8	
3-18		Bearing 6005	
3-19		Screw M8*25	
3-20		Spring gasket 8	
3-21		Gasket 35*8.3	
3-22		Middle axle seat	
3-23		Key 5*24	
3-24		Key 5*14	
3-25		Middle axle	
3-26		Screw M6*16	
3-27		Spring gasket 6	
3-28		intermediate shaft	
3-29		Belt wheel 5M 22Z	
3-30		BX middle gasket	
3-31		Belt PJ660-Z10	
3-32		Belt wheel 36Z10	
3-33		Board	
3-34		Motor's board	
3-35		Motor	
3-36		Key 6*24	
4-1		Pressing handle (left)	
4-2		Pressing handle (right)	
4-3		Bowl's screw	
4-4		Corrugated packing ring	
4-5		Gasket 8	
4-6		Arm	
4-7		Lock nut M8	
4-8		Mandril	
4-9		Mandril's spring	
4-10		Sleeve	
4-11		Stop ring 9*0.7	
4-12		Arm's upper board	
4-13		Gasket 16	
4-14		Spring gasket 16	
4-15		Nut M16*1.5	
4-16		Screw M3*14	
4-17		Micro-switch	



## Onderdelenlijst 7534.0010

POS:	Art.No.:	Omschrijving:	Aantal:
4-18		Frame	
4-19		Spring gasket 6	
4-20		Screw M6*16	
4-21		Screw M5*10	
4-22		Spring gasket 5	
4-23		Gasket 5	
4-24		Lifting switch frame	
4-25		Board	
4-26		Screw M6*16	
4-27		plate	
4-28		Arm's lower board	
4-29		Screw M4*6	
5-1		Handle	
5-2		Key 5*20	
5-3		Screw M6*16	
5-4		Flange knot	
5-5		Crank	
5-6		Stop ring 14	
5-7		Nut M6	
5-8		Screw M6*14	
5-9		Pin 3*20	
5-10		handlebar pull	
5-11		Nut M10	
5-12		Spring gasket 10	
5-13		Spring 17*3*30	
6-1		Nut M5	
6-2		Spring gasket 5	
6-3		Board	
6-4		Gasket 5	
6-5		Screw M5*20	
6-6		Frequency changer	
6-7		Power board	
7-1		Screw M8*20	
7-2		Spring gasket 8	
7-3		Gasket	
7-4		Planetary gear	
7-5		Bearing 6203	
7-6		Turning plate	
7-7		Bearing 6204	
7-8		Oil seal 25*50*10	
7-9		Key 5*5*18	
7-10		Mixing axle	
8-1		Micro-switch XV-152-1C25	



## Onderdelenlijst 7534.0010

POS:	Art.No.:	Omschrijving:	Aantal:
8-2		Screw M3*14	
8-3		Micro-switch bracket	
8-4		Spring gasket $\phi 7*0.6*45$	
8-5		split ring 4	
8-6		switch pole	
9-1	CS7534.9045	BEATER	
9-2	CS7534.9065	HOOK	
9-3	CS7534.9025	WHISK	
9-4	CS7534.9005	BOWL	