

# CombiSteel

**7534.0005**

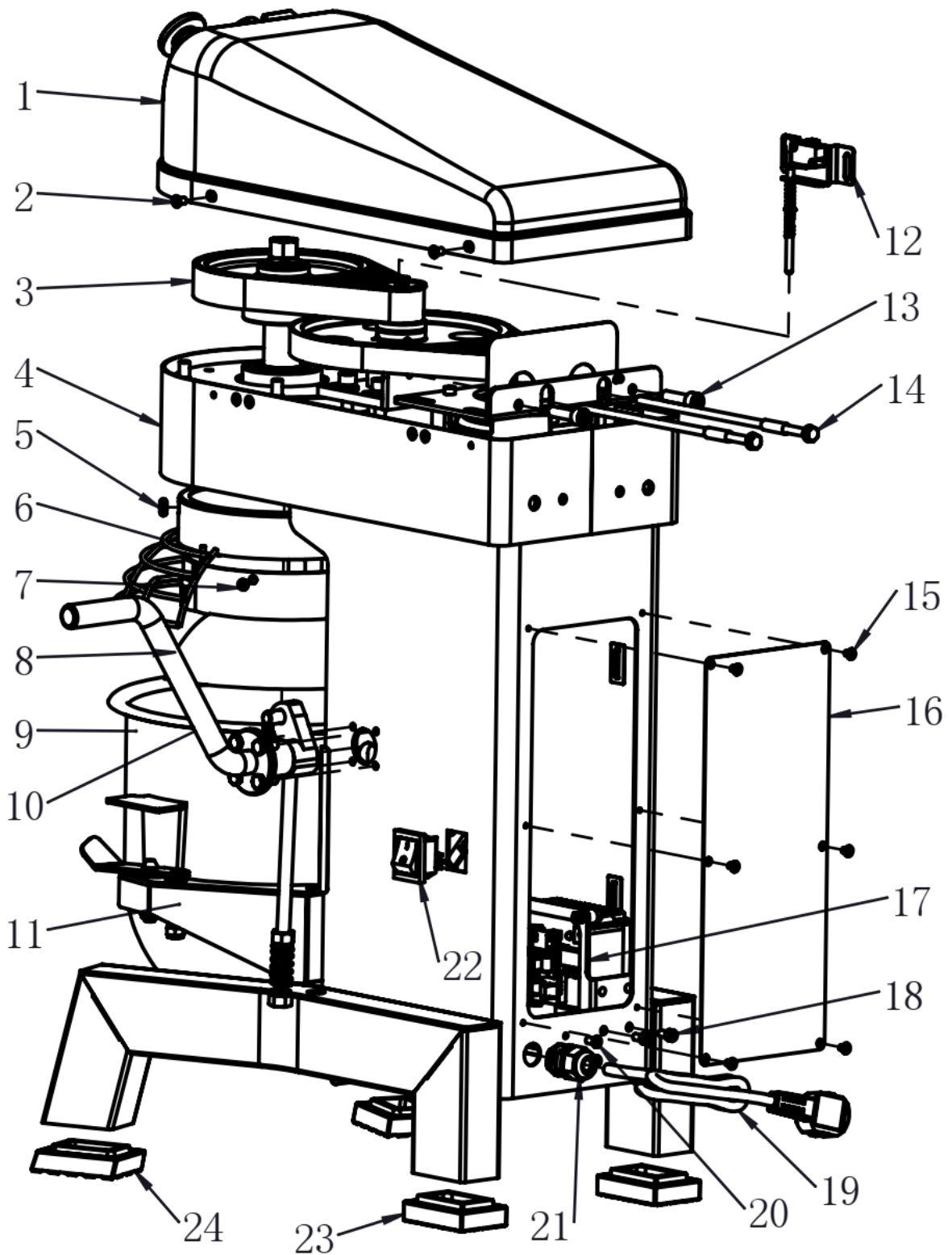
**v1.0**

Onderdelen informatie  
Erzatzteil information  
Spare part information  
Information de pièces

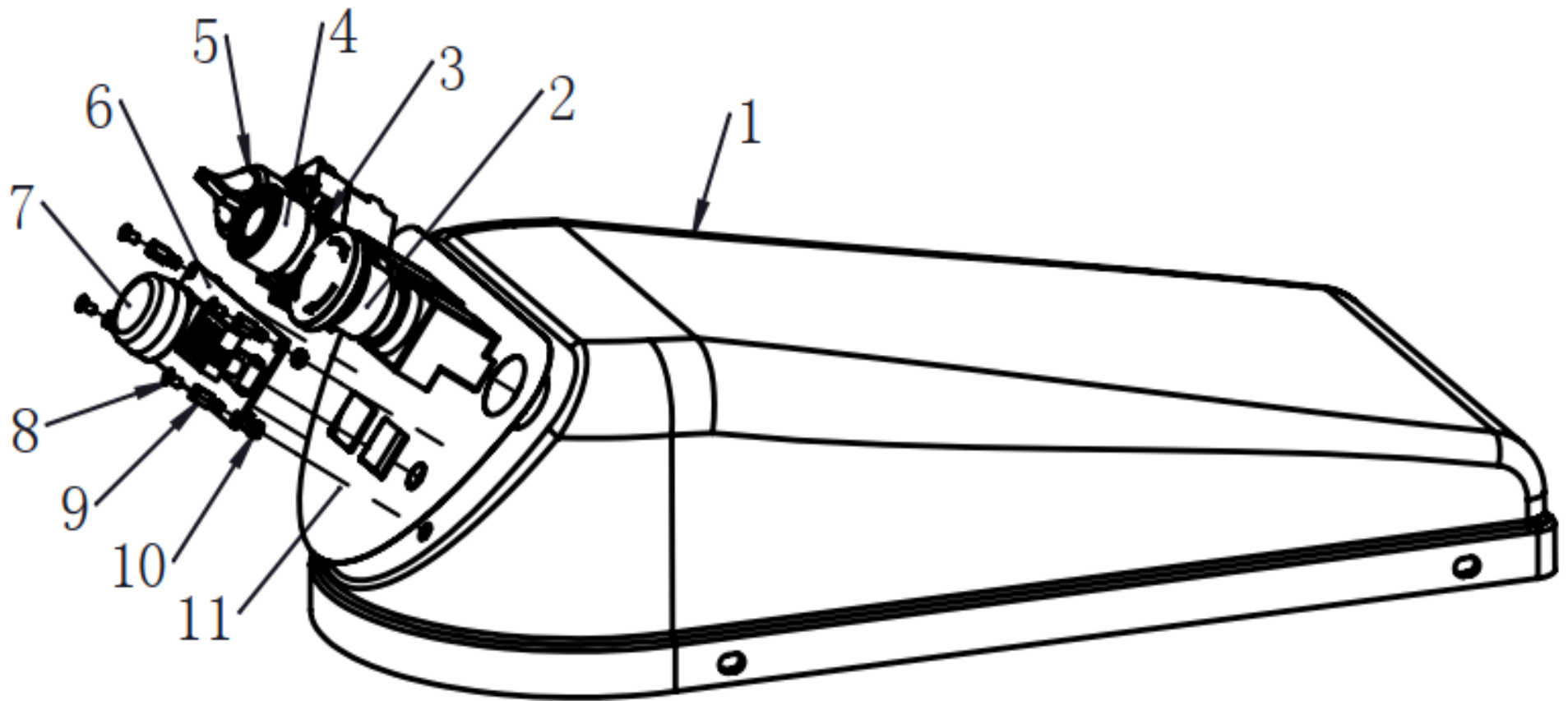




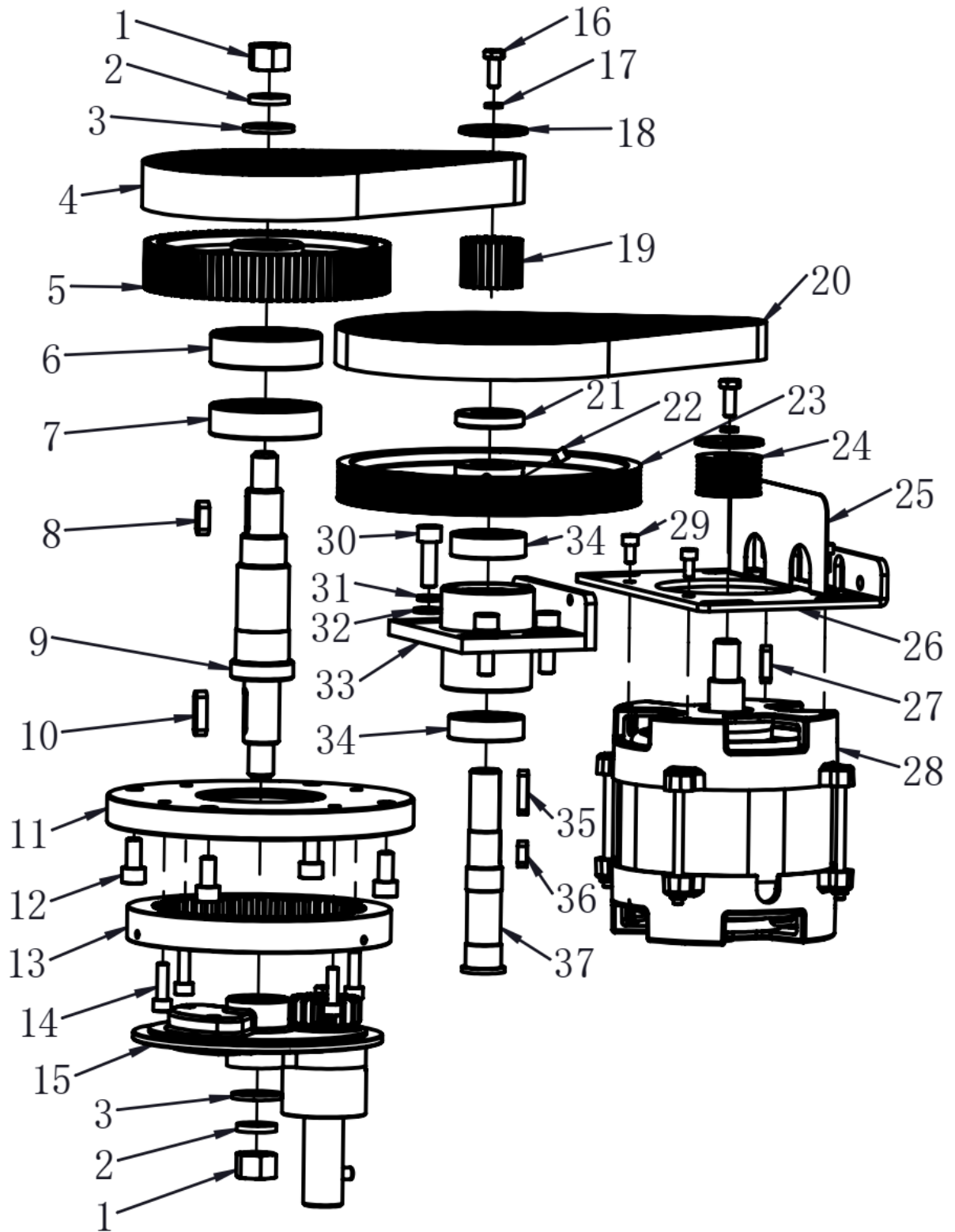
Drawing: 1



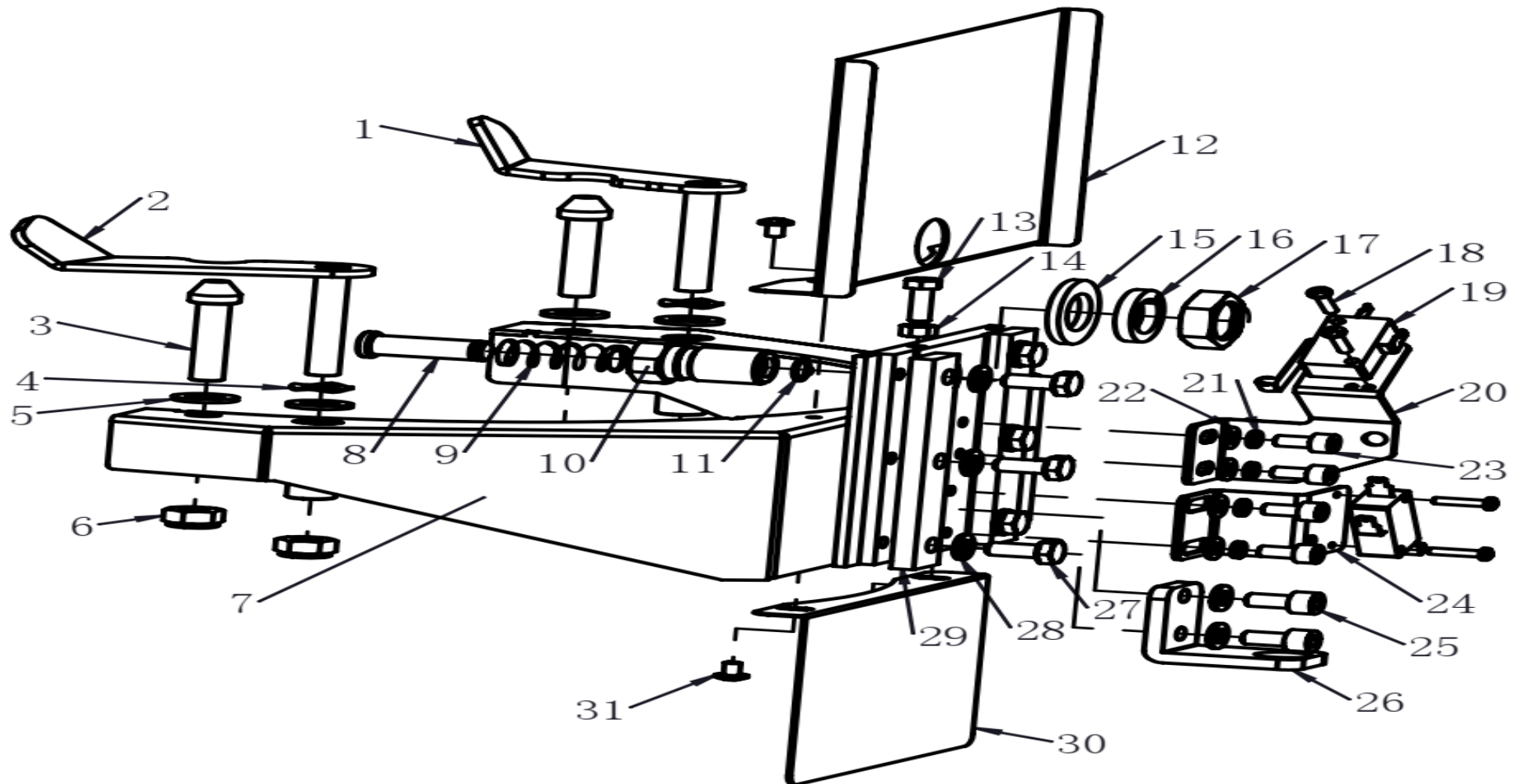
Drawing: 2



Drawing: 3

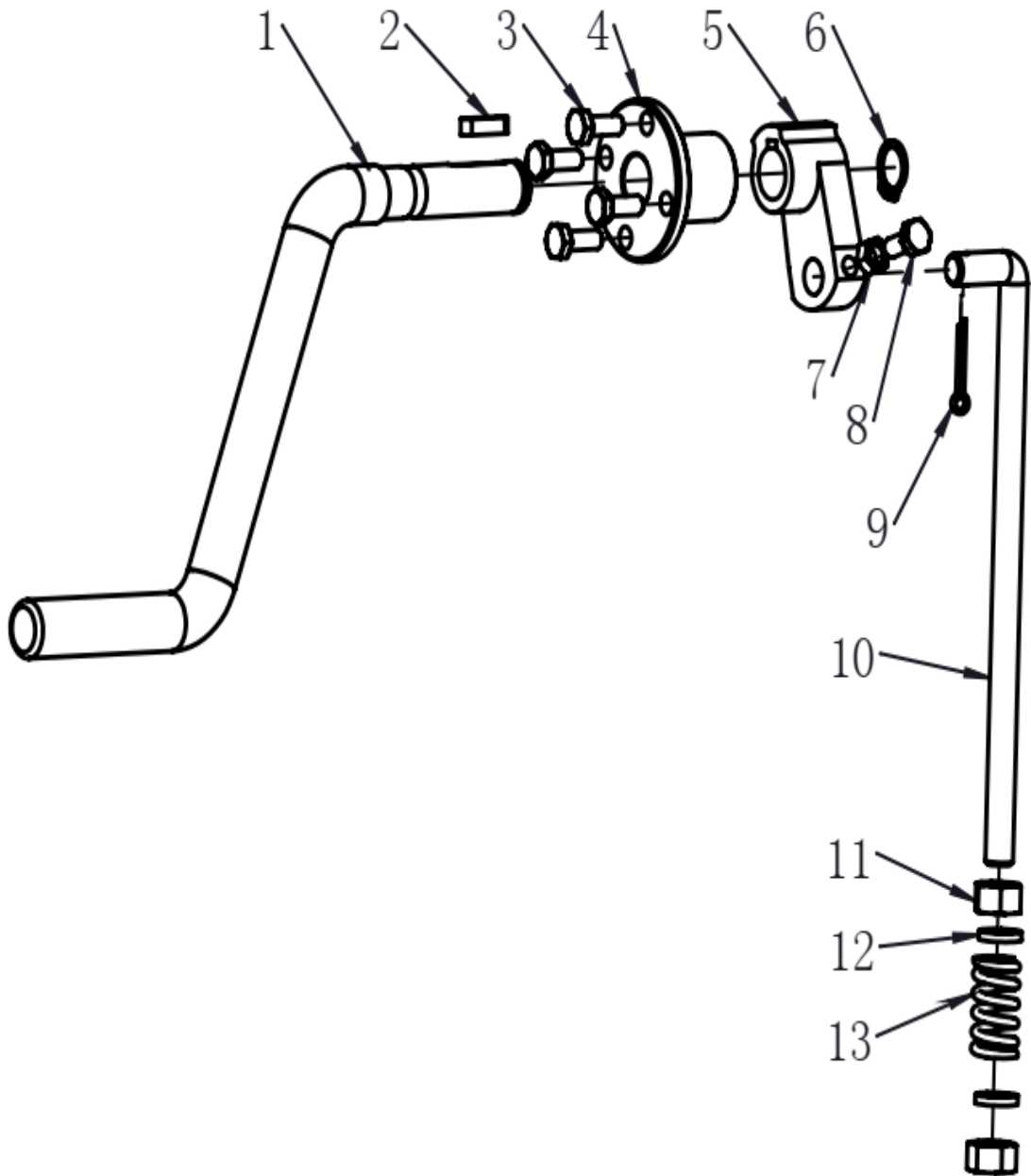


Drawing: 4



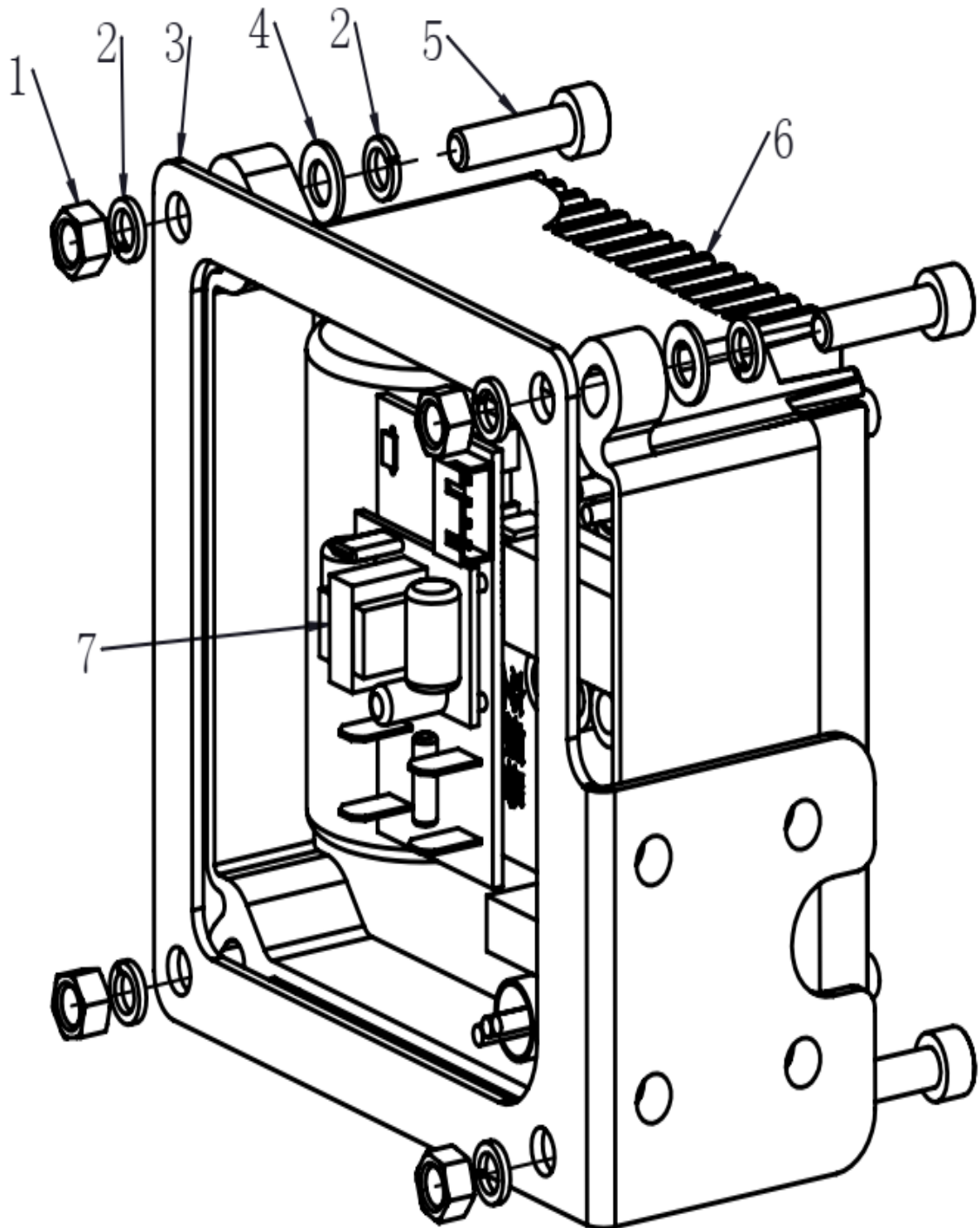


Drawing: 5

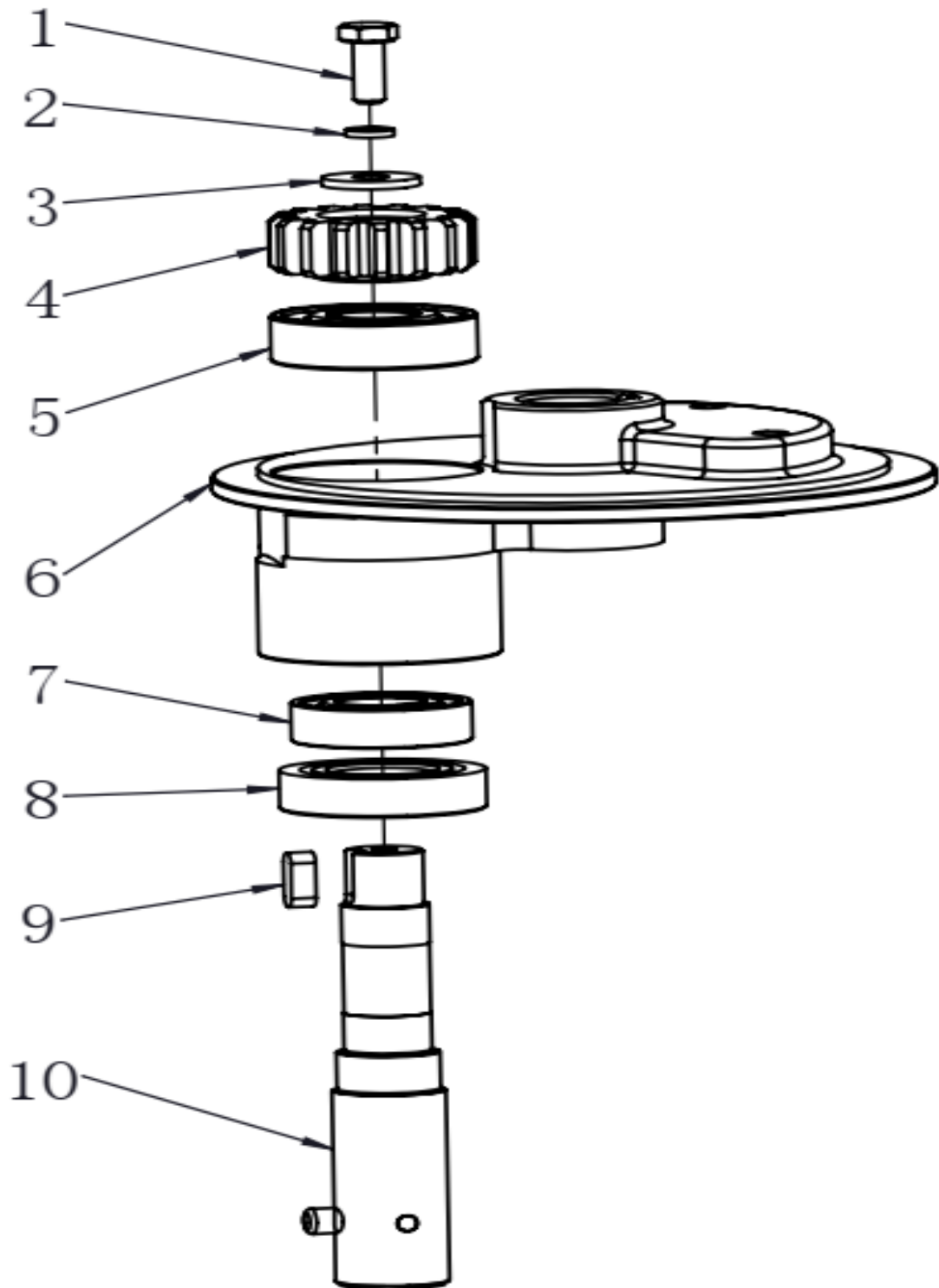




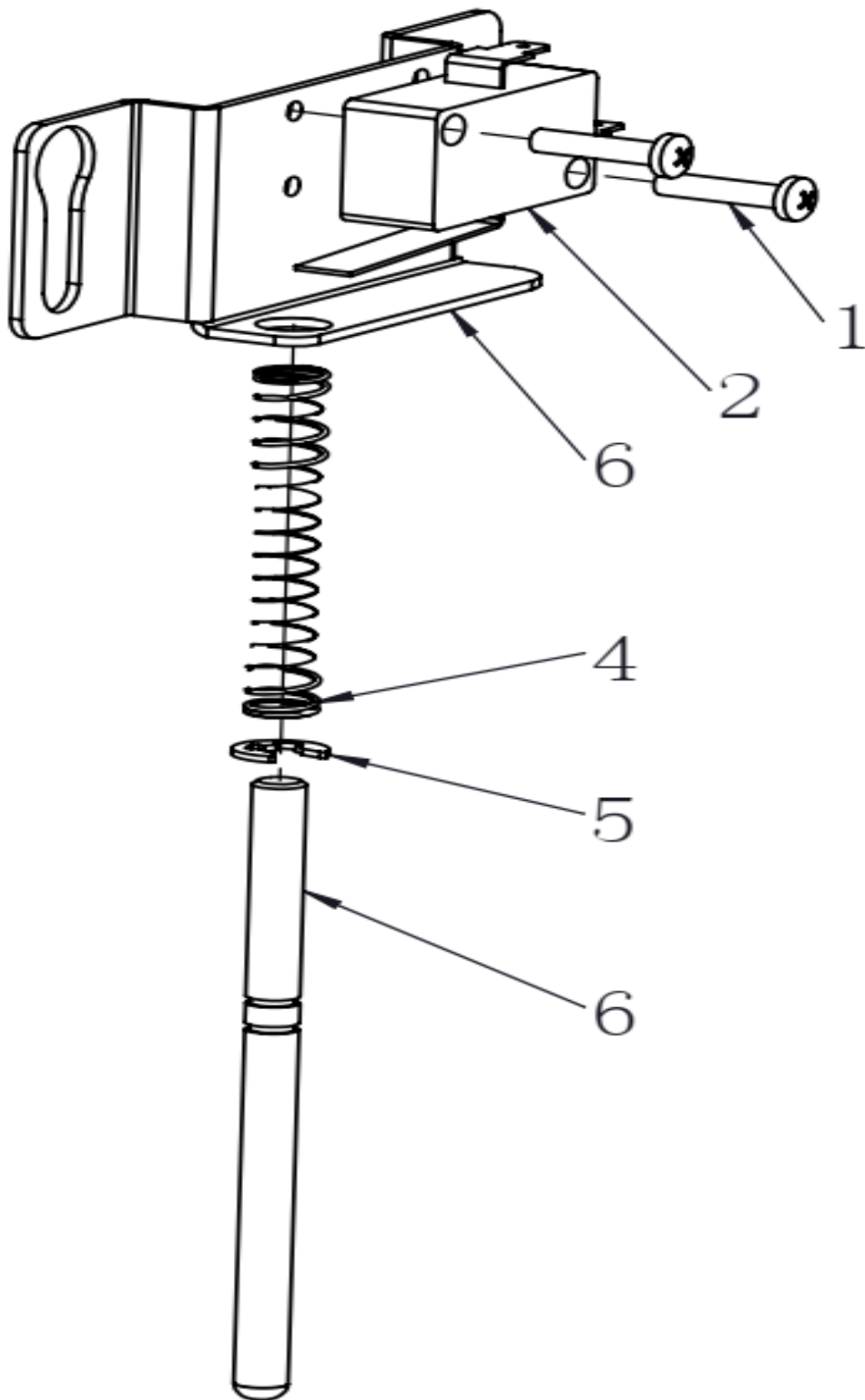
Drawing: 6



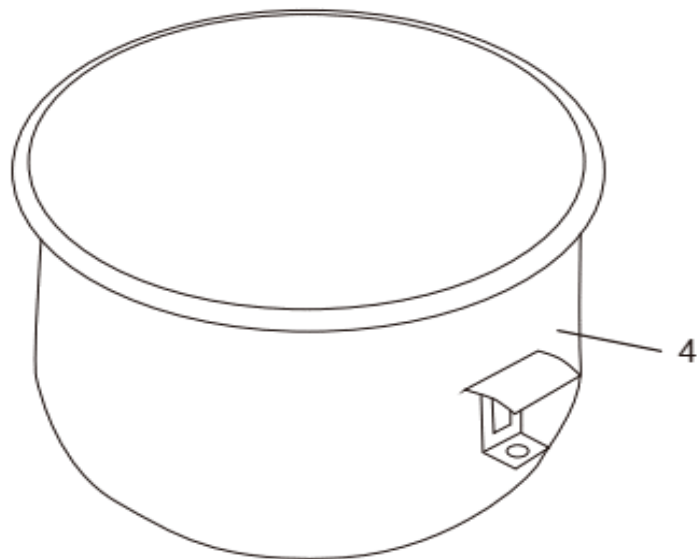
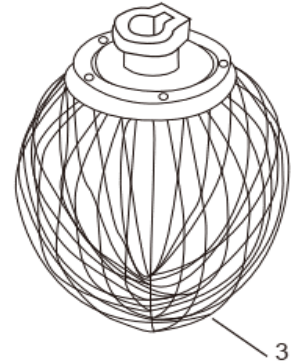
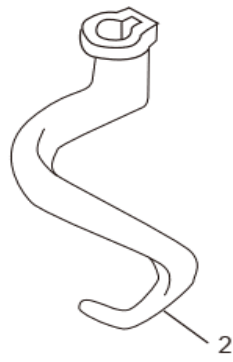
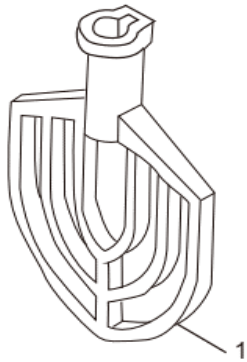
Drawing: 7



Drawing: 8



Drawing: 9





## Onderdelenlijst 7534.0005

POS:	Art.No.:	Omschrijving:	Aantal:
1-1		Top cover	1
1-2		screw M5*8	4
1-3		Belt	1
1-4		Body	1
1-5		Rubber plug	1
1-6		Safety net (move)	1
1-7		Screw M4*8	3
1-8		safety net (fixed)	1
1-9		Bowl	1
1-10		Handle	1
1-11		Arm	1
1-12		Micro-switch	1
1-13		Screw M8*30	2
1-14		Screw	2
1-15		Screw M4*6	6
1-16		Rear cover	1
1-17		Frequency changer	1
1-18		Screw M5*10	2
1-19		Cable	1
1-20		Screw M5*10	2
1-21		Cable Joint	1
1-22		Power Switch	1
1-23		Rear feet pad	2
1-24		Front feet pad	2
2-1		Top cover	1
2-2		Emergency switch	1
2-3		Start Switch	1
2-4		Rubber Boots	1
2-5		Mix tool selector Switch	1
2-6		Control Panel	1
2-7		changer speed switch	1
2-8		Screw M3*6	4
2-9		Single end studs M3*7+6	4
2-10		Nut M3	4
2-11		panel sticker	1
3-1		Nut M14	2
3-2		Spring gasket 14	2
3-3		Gasket 14	2
3-4		Belt 5M 565*25	1
3-5		Belt wheel 5M 87Z	1
3-6		Bearing 6205	1
3-7		Bearing 6206	1
3-8		key 6*18	1



## Onderdelenlijst 7534.0005

POS:	Art.No.:	Omschrijving:	Aantal:
3-9		Center axle	1
3-10		Key 6*24	1
3-11		Gear ring cover	1
3-12		Screw M8*16	4
3-13		Inner gear	1
3-14		Screw M6*20	4
3-15		Turning plate	1
3-16		Screw M6*16	2
3-17		Spring gasket 16	2
3-18		Upper gasket	2
3-19		Belt wheel 5M 22Z	1
3-20		Belt PJ635-Z8	1
3-21		Middle axle gasket	1
3-22		Screw M6*8	2
3-23		Belt wheel 170-Z8	1
3-24		Belt wheel 36-Z8	1
3-25		Board	1
3-26		Motor's board	1
3-27		Key 5*20	1
3-28		Motor	1
3-29		Screw M5*10	4
3-30		Screw M8*25	4
3-31		Spring gasket 8	4
3-32		Gasket 8	4
3-33		Middle axle seat	1
3-34		Bearing 6004	2
3-35		Key 5*24	1
3-36		Key 5*14	1
3-37		Middle axle	1
4-1		Pressing handle (left)	1
4-2		Pressing handle (right)	1
4-3		Bowl's screw	2
4-4		Corrugated packing ring	2
4-5		Gasket 8	4
4-6		Lock nut M8	4
4-7		Arm	1
4-8		Mandril	1
4-9		Mandril's spring	1
4-10		Sleeve	1
4-11		Stop ring 9	1
4-12		Arm's upper board	1
4-13		Screw M5*16	1
4-14		Nut M5	1



## Onderdelenlijst 7534.0005

POS:	Art.No.:	Omschrijving:	Aantal:
4-15		Gasket 16	1
4-16		Spring gasket 16	1
4-17		Nut M16*1.5	1
4-18		Screw M3*14	4
4-19		Micro-switch	2
4-20		Frame	1
4-21		Spring gasket 5	4
4-22		Gasket 5	4
4-23		Screw M5*10	4
4-24		Lifting switch frame	1
4-25		Screw M6*12	2
4-26		Board	1
4-27		Screw M6*14	6
4-28		Spring gasket 6	8
4-29		plate	2
4-30		Arm's lower board	1
4-31		Screw M4*6	4
5-1		Handle	1
5-2		Key 5*20	1
5-3		Screw M6*16	4
5-4		Flange knot	1
5-5		Crank	1
5-6		Stop ring 14	1
5-7		Nut M6	1
5-8		Screw M6*14	1
5-9		Pin 3*20	1
5-10		handlebar pull	1
5-11		Nut M10	2
5-12		Spring gasket 10	2
5-13		Spring 17*3*30	1
6-1		Nut M5	4
6-2		Spring gasket 5	8
6-3		Board	1
6-4		Gasket 5	4
6-5		Screw M5*20	4
6-6		Frequency changer	1
6-7		Power board	1
7-1		Screw M6*16	1
7-2		Spring gasket 6	1
7-3		Gasket	1
7-4		Planetary gear	1
7-5		Bearing 6203	1
7-6		Turning plate	1



## Onderdelenlijst 7534.0005

POS:	Art.No.:	Omschrijving:	Aantal:
7-7		Bearing 6003	1
7-8		Oil seal 20*40*10	1
7-9		Key 5*14	1
7-10		Mixing axle	1
8-1		Screw M3*14	2
8-2		Micro-switch XV-152-1C25	1
8-4		Spring gasket $\phi 7*0.6*45$	1
8-5		split ring 4	1
8-6		switch pole	1
8-6		Micro-switch bracket	1
9-1	CS7455.9040	BEATER	1
9-2	CS7455.9060	BEATER	1
9-3	CS7455.9020	WHISK	1
9-4	CS7455.9000	BOWL	1